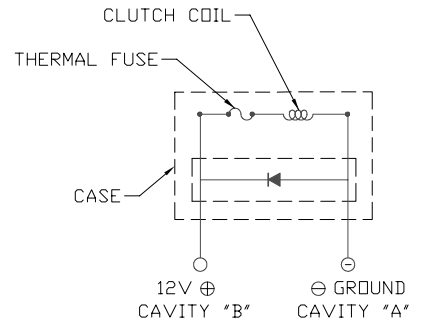
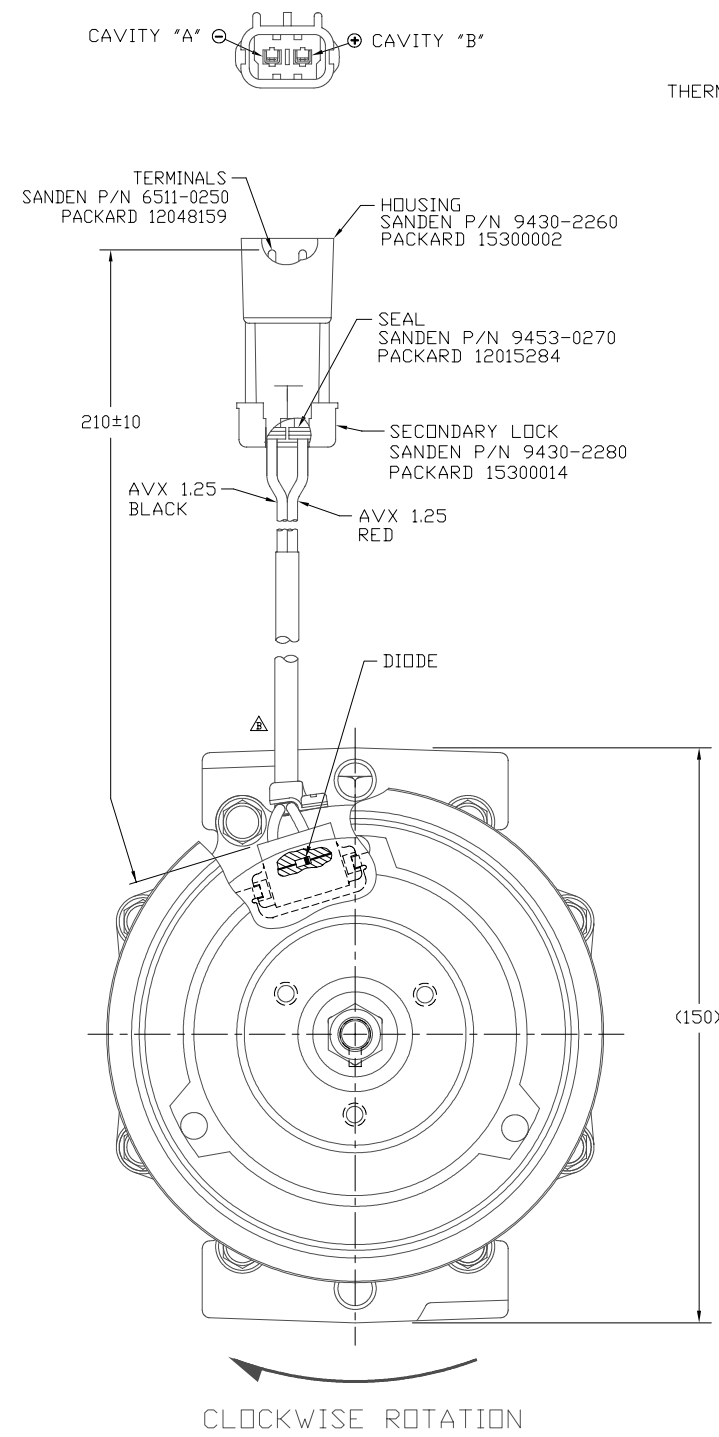
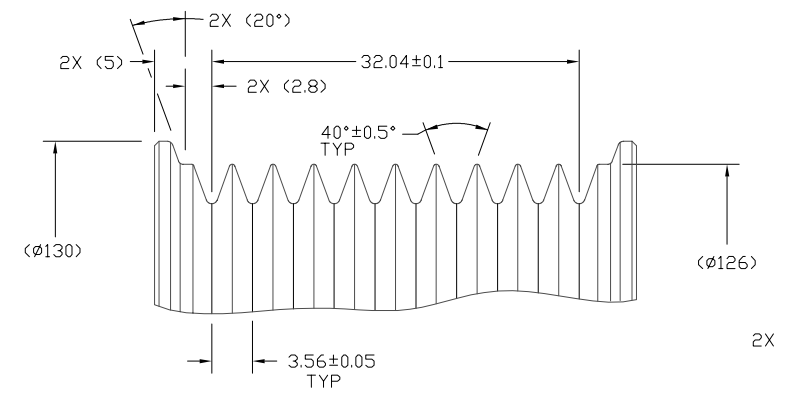


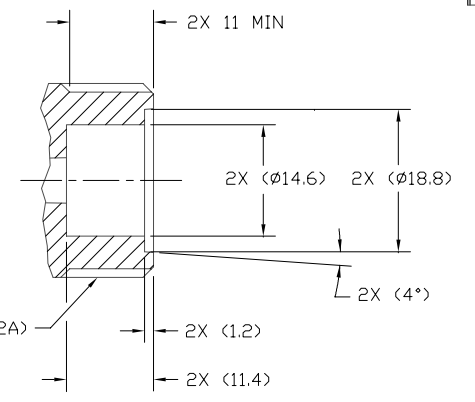
PDCN	REV.	APPV	DATE	REVISIONS	DWN	DSGN	CHK	APPV
2006318	A		10/06/06	INITIAL ISSUE	RSR	AA	DRL	AA
				FIELD COIL PART NUMBER: 0432-6340 WAS 0432-0432-6030 UPDATED TO CORRECT WIRING DIAGRAM				



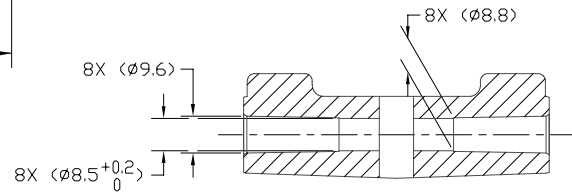
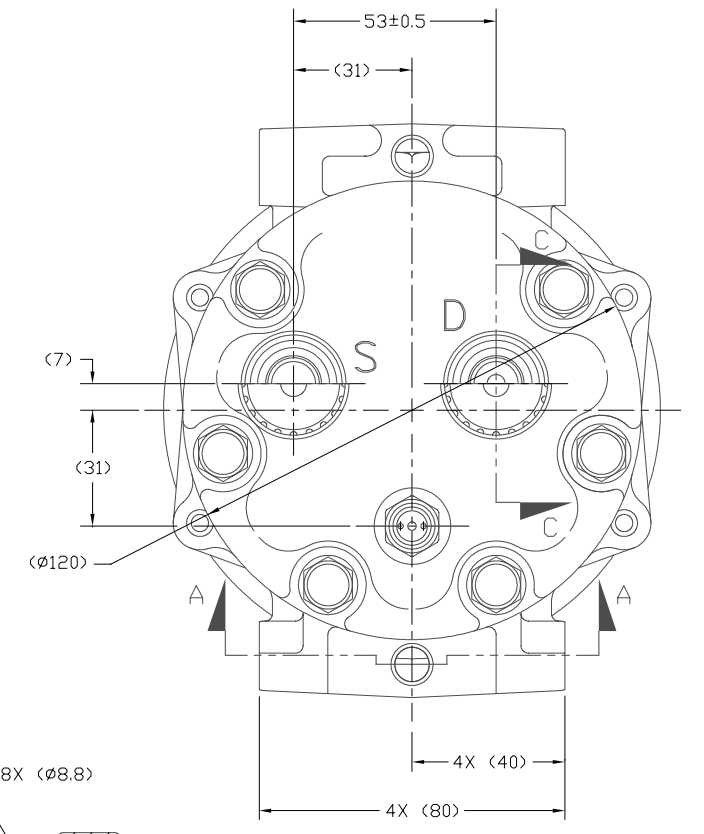
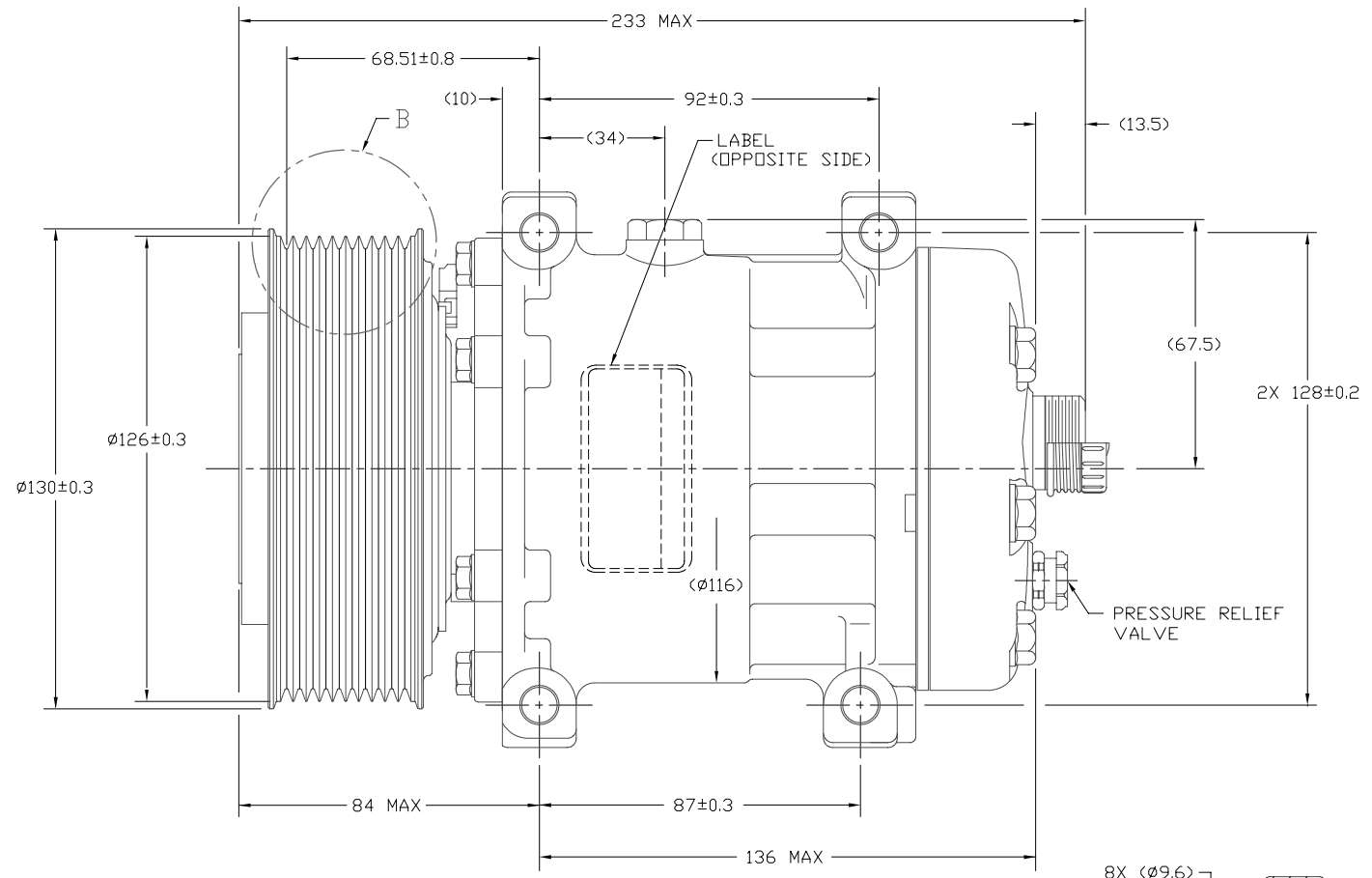
CIRCUIT DIAGRAM (FOR REFERENCE)



DETAIL B SCALE 3:1



SECTION C-C SCALE: 2:1 TYPICAL BOTH PORTS (SECTION SHOWN WITH SEAL CAP REMOVED)



SECTION A-A

COMPRESSOR SPECIFICATIONS (REF)

DISPLACEMENT PER REVOLUTION	154.9 cc / rev. (9.5 cu.in. / rev.)
MAXIMUM ALLOWABLE R.P.M.	8000 R.P.M.
MAXIMUM ALLOWABLE CONTINUOUS R.P.M.	6000 R.P.M.
REFRIGERANT	R134a
OIL (SP-15)	300 cc (10.1 floz.)

CLUTCH SPECIFICATIONS (REF)

RATED VOLTAGE	DC 12V
BREAKAWAY TORQUE	3.5 kgf-m min. @ 12V
MINIMUM ENGAGEMENT VOLTAGE	7.5V @ AIR GAP 0.6mm
POWER CONSUMPTION	49 watts max.
BELT TYPE	PV10 TYPE
MAXIMUM ALLOWABLE BELT TENSION	120 kgf
PULLEY DIAMETER	Ø126 mm (4.96 in.)
CLUTCH TYPE	HEAVY DUTY

NOTE:
1. DIMENSIONS ARE TO VIRTUAL SHARP CORNERS UNLESS OTHERWISE SPECIFIED.

DO NOT SCALE

REV. LEVEL	RELEASED FOR: ENGR DEVELOPMENT		DRAWN SCALE REF 1:1 PLOTTED SCALE REF 1:1 METRIC
DSGN	C. Wolff		
DWN	R. Rodriguez 07/14/06	This drawing and the information contained hereon are CONFIDENTIAL and PROPRIETARY to Sanden International (U.S.A.), Inc., are received in CONFIDENCE and shall not be used, copied, or disclosed to others without the written permission of Sanden International (U.S.A.), Inc.	INTERPRETATION OF THIS DRAWING PER ASME Y14.5M-1994
CHK	Dennis Lee 09/29/06		
APPV.	Note Burns	THIRD ANGLE PROJECTION	SIZE D
DATE	09/05/06		
REV. LEVEL	RELEASED FOR: DESIGN VALIDATION	MATERIAL:	NAME: COMPRESSOR
DSGN	C. Wolff		
APPV.	Note Burns	DWG. NO. 4412-6000	REV B
DATE	10/12/06		
REV. LEVEL	RELEASED FOR: PRODUCTION		
DSGN	C. Wolff		
APPV.	Note Burns		
DATE	10/12/06		