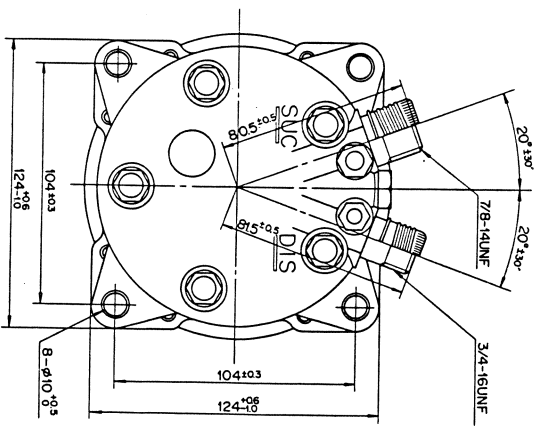
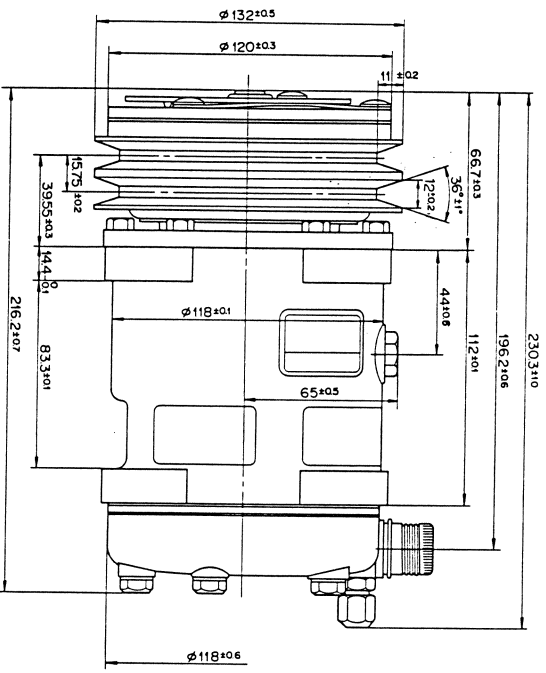
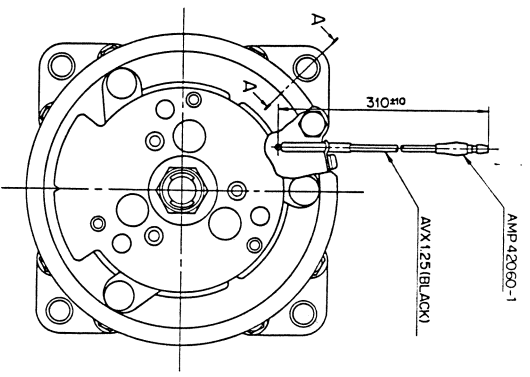


PARTIAL SECT A-A

FOR REFERENCE ONLY
NOT A CONTROLLED
DOCUMENT



COMPRESSOR SPECIFICATIONS

Bores	1.51 in (38.1 mm)
Stroke	2.86 in (72.6 mm)
Displacement per Revolution	1.38 cu in (22.5 cc)
Number of Cylinders	5
Maximum Allowable Pressure	7,000 psi (482 bar)
Maximum Allowable Temperature	6,000 °F (3,260 °C)
Maximum Allowable Continuity	1.75 in (44.3 mm)
Oil (SUNISO 605 or Equal)	5.1 qt (48.3 l)
Weight	80 lb (36.3 kg)

CLUTCH SPECIFICATIONS

Rated Voltage	12 V
Rated Current	2.9 A (23.3 W)
Minimum Equipment Voltage	7.5 V (60 W)
Power Consumption	50 W (AT)
Maximum Allowable Pressure	7,000 psi (482 bar)
Maximum Allowable Temperature	6,000 °F (3,260 °C)
Max. Type	A
Oil (SUNISO 605 or Equal)	0.132 qt (12.5 l)
Weight	2.6 lb (1.2 kg)

DATE	28 MAR 1982
ORDER BY	V. J. Anderson
QUANTITY	24
PRICE	9285-6000
REVISION	
SCALE	1:1
DRWING NO.	SD-508FG9285
REV.	
DATE	24 MAR 1982
BY	
CHKD.	
APP.	
TITLE	COMPRESSOR
DESCRIPTION	SANDEN INTERNATIONAL
PROJECT NO.	
DEPT.	
WORK CENTER	
SCALE	
DATE	
BY	
CHKD.	
APP.	

SANDEN SANDEN CORPORATION SANDEN INTERNATIONAL CORPORATION