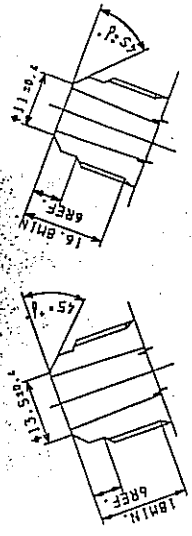


**FOR REFERENCE ONLY
NOT A CONTROLLED
DOCUMENT**

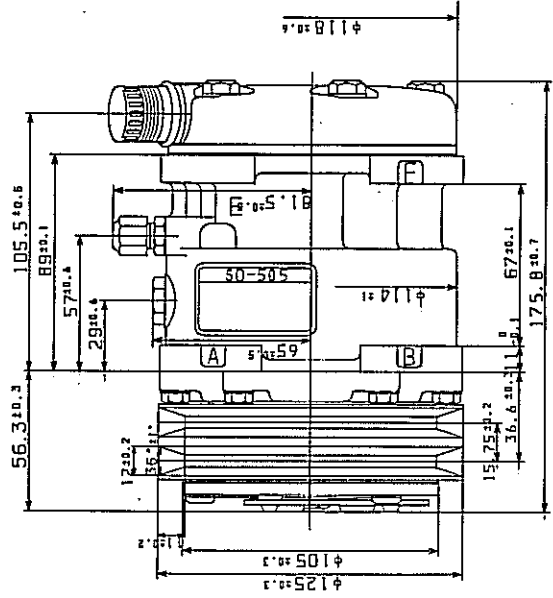
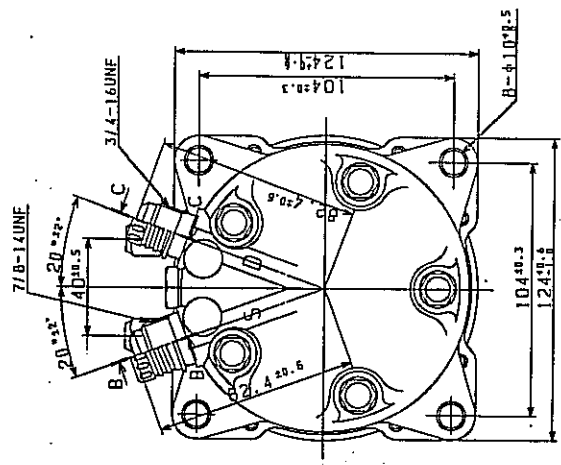
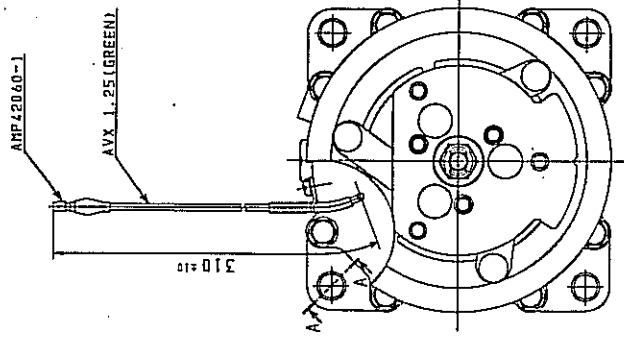


PARTIAL SECT. A-A



PARTIAL SECT. B-B(2:1)

PARTIAL SECT. C-C(2:1)



COMPRESSOR SPECIFICATIONS

| | | |
|-------------------------------------|-------|-----------------------------|
| CODE | 435 | MS (J, 3R (n.)) |
| SIZE | 18.07 | MET (D, 71 (n.)) |
| DISPLACEMENT PER REVOLUTION | 87 | CC/REV. (5.3 cc. In. /rev.) |
| NUMBER OF CYLINDERS | 5 | C.P.M. |
| MAXIMUM ALLOWABLE C.P.M. | 7500 | C.P.M. |
| MAXIMUM ALLOWABLE CONTINUOUS C.P.M. | 6500 | C.P.M. |
| REFRIGERANT | R-12 | C.P.M. |
| OIL (QUANTITY 50% OR EQUIV.) | 100 | CC (3.38 FL. OZ.) |
| WEIGHT | | kg (lb) |

CLUTCH SPECIFICATIONS

| | | |
|-------------------------------------|------------------------|----------------|
| RATED VOLTAGE | DC 24 V | |
| BREAKAWAY TORQUE | 2.2 N·M (15.9 ft.-lb.) | |
| MINIMUM ENGAGEMENT VOLTAGE | 16 V MAX. | |
| POWER CONSUMPTION | 31 W (20) | |
| MAXIMUM ALLOWABLE C.P.M. | 7500 C.P.M. | |
| MAXIMUM ALLOWABLE CONTINUOUS C.P.M. | 6500 C.P.M. | |
| RELAY TYPE | MOVABLE CONTACT | |
| BULB DIAMETER | 1135 | MM (4.47 (n.)) |
| WEIGHT | | kg (lb) |

| | | | |
|---------------------------|--|------------|------|
| DATE | | REV. | 9077 |
| COMPRESSOR | | | |
| DESIGNED BY | | CHECKED BY | |
| DRAWN BY | | DATE | |
| APPROVED BY | | DATE | |
| SD-505E9077 | | | |
| 9077-6000 | | | |
| SANDEN SUNDHI CORPORATION | | | |
| 24, JOI (1938) | | | |