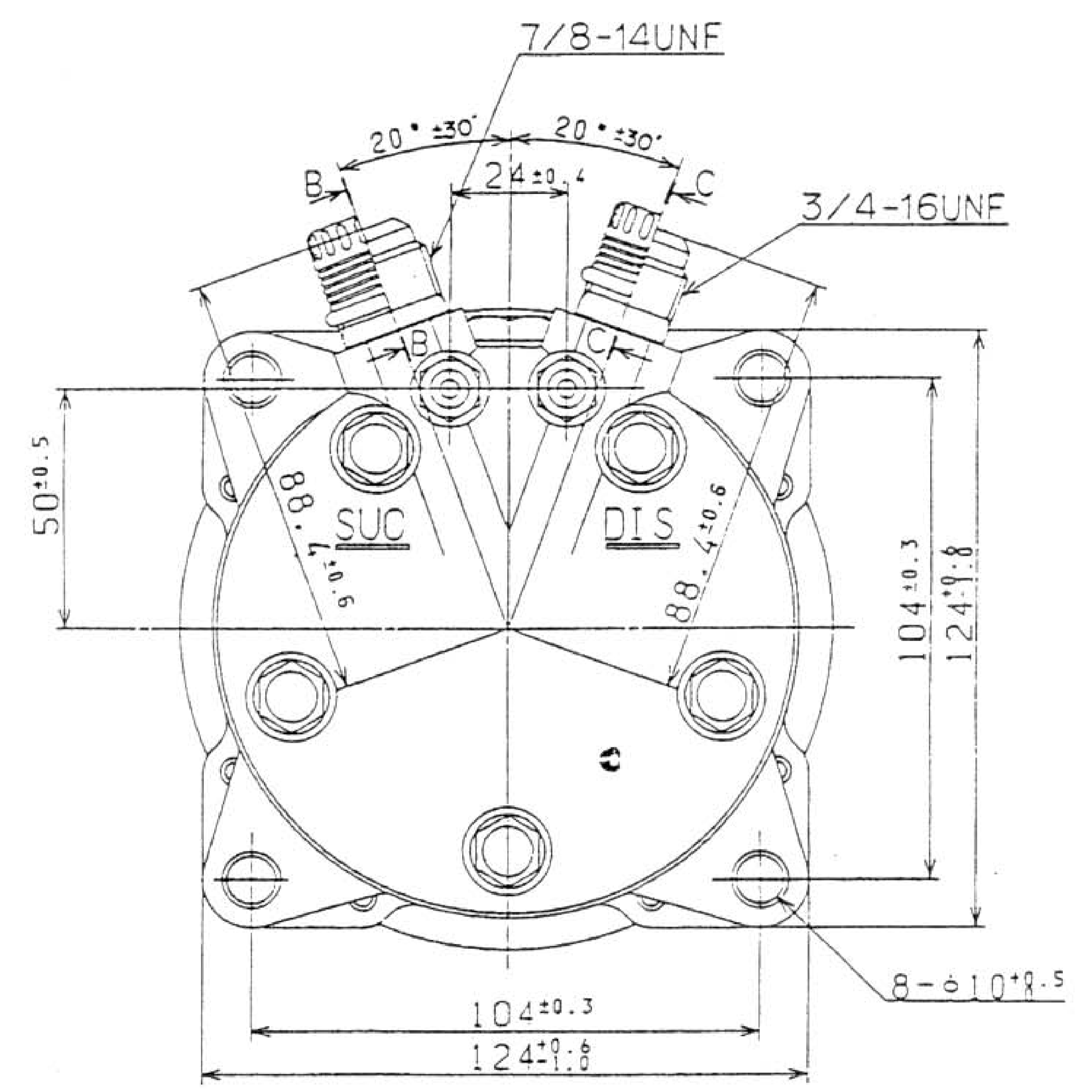
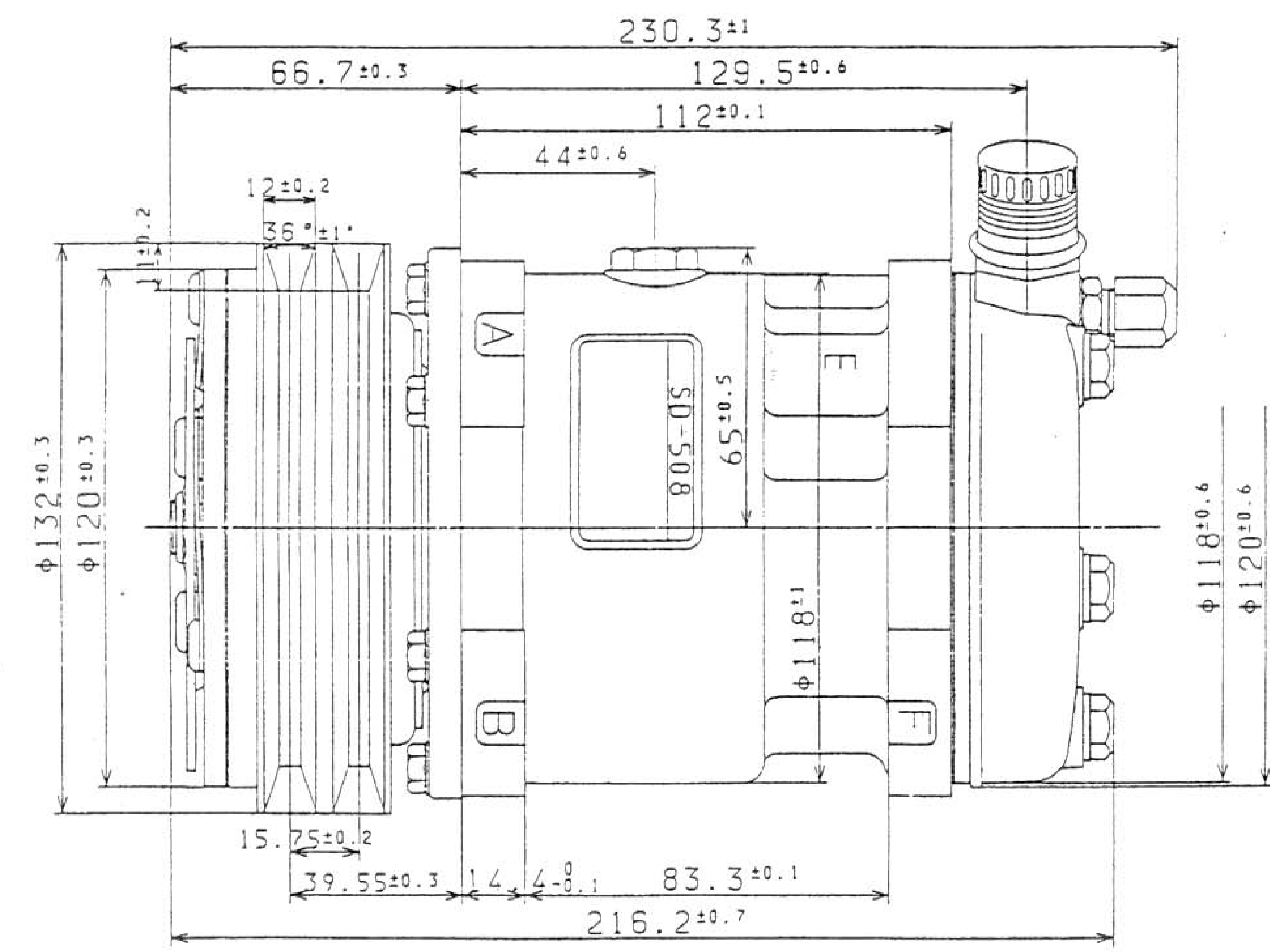
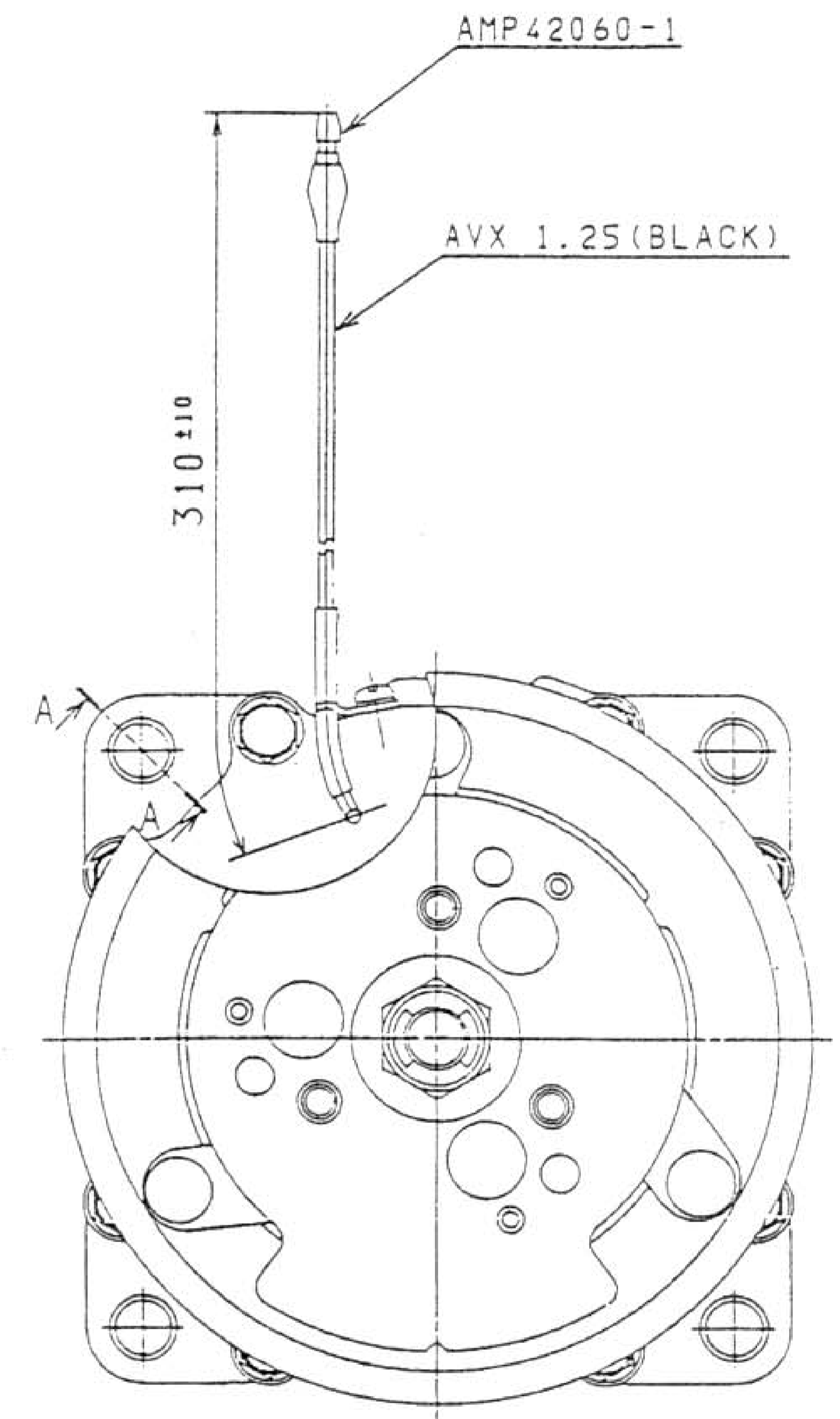


PARTIAL SECT. B-B (2:1)

PARTIAL SECT. C-C (2:1)



COMPRESSOR SPECIFICATIONS

BORE	±35	mm (1.38 in.)
STROKE	28.6	mm (1.13 in.)
DISPLACEMENT PER REVOLUTION	138	cc/rev. (8.4 cu. in./rev.)
NUMBER OF CYLINDERS	5	
MAXIMUM ALLOWABLE r.p.m.	7000	r.p.m.
MAXIMUM ALLOWABLE CONTINUOUS r.p.m.	6000	r.p.m.
REFRIGERANT	R-12	
OIL (SUNISO 5GS OR EQUIV.)	175	cc (5.92 fl. oz.)
WEIGHT		kg (lb)

CLUTCH SPECIFICATIONS

RATED VOLTAGE	DC 12V
BREAKAWAY TORQUE	3.5 kg-m (25.3 ft-lb)
MINIMUM ENGAGEMENT VOLTAGE	7.5 V MAX.
POWER CONSUMPTION	50 W (AL)
MAXIMUM ALLOWABLE r.p.m.	7000 r.p.m.
MAXIMUM ALLOWABLE CONTINUOUS r.p.m.	6000 r.p.m.
BELT TYPE	A TYPE
PULLEY DIAMETER	±132 mm (5.2 in.)
WEIGHT	kg (lb)

SIE MASTER DRAWING  
 CHECKED AND APPROVED  
 PRINT NAME J. Mitoma  
 DATE 5-10-89

COM E.A  
 89.5.22  
 F.S.Gr

MATERIAL	PART NO	8390
NAME	COMPRESSOR	
MODEL	SD-508A52	
DRWING NO	8390-6000	
LAST DC	A	
REVISION RECORD	BY	DATE
1. COMPLETE REPLACEMENT	Y.U.	1995.16
THIRD ANGLE PROJECTION	SCALE	1:1
DRAWN BY	DATE	16 MAY 1989
CHECKED BY	DATE	12 MAY 1989
CHECKED BY	DATE	19 MAY 1989