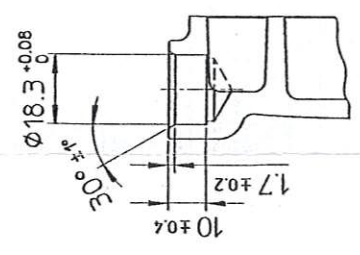
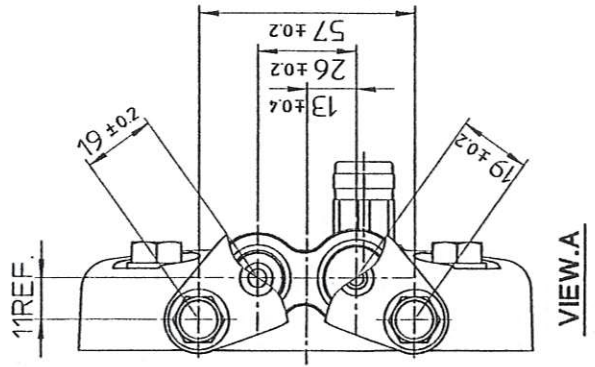
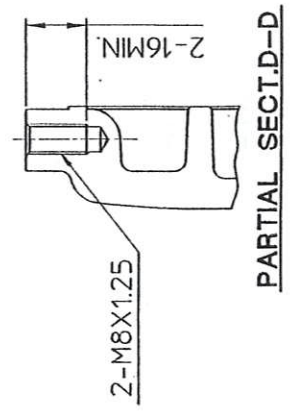
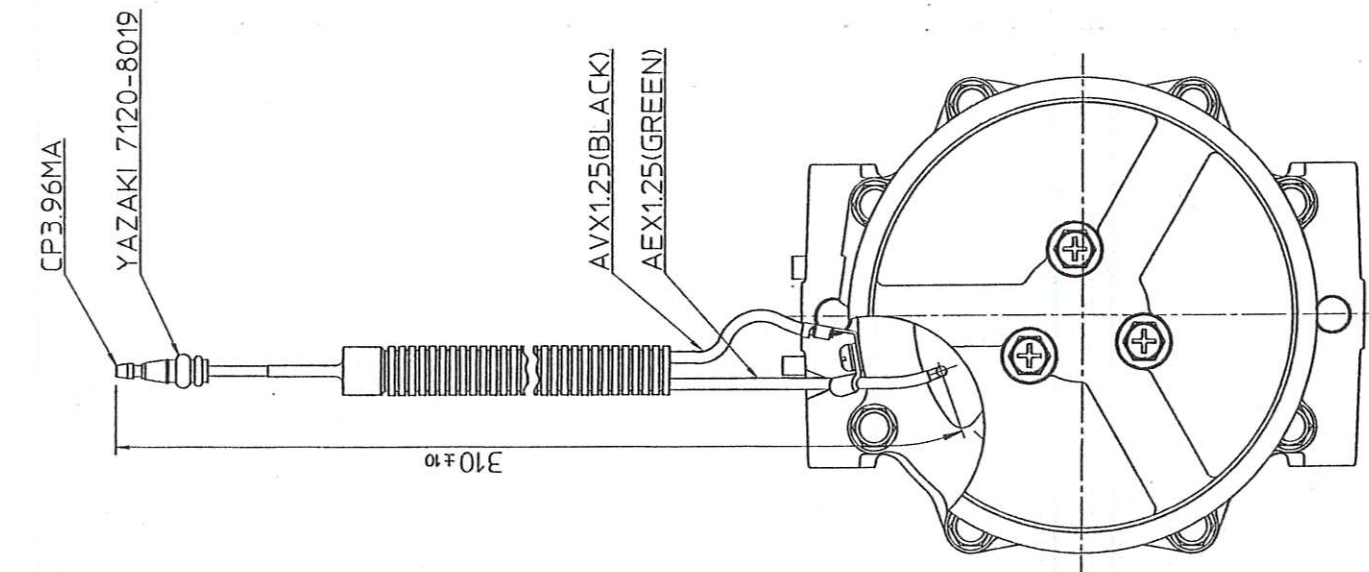
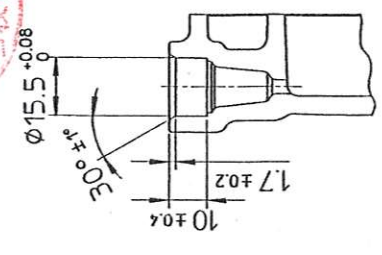


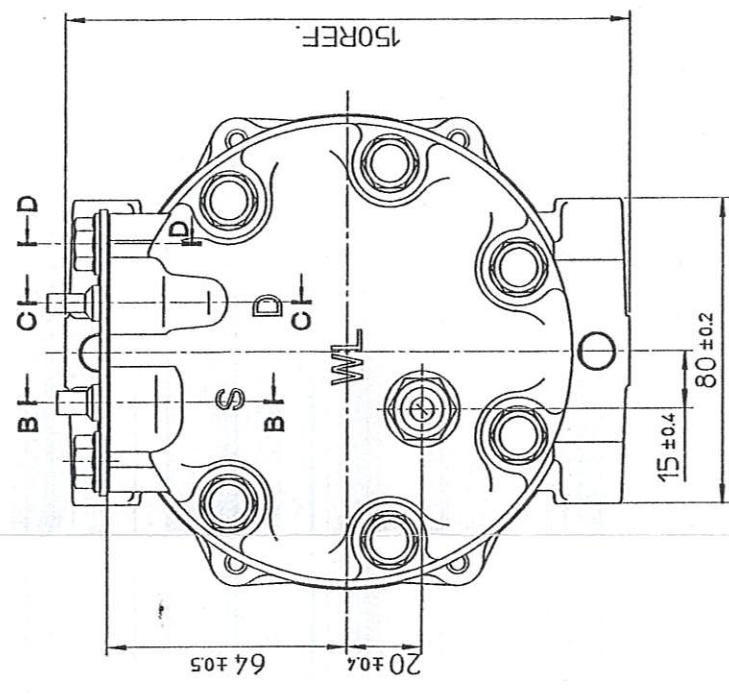
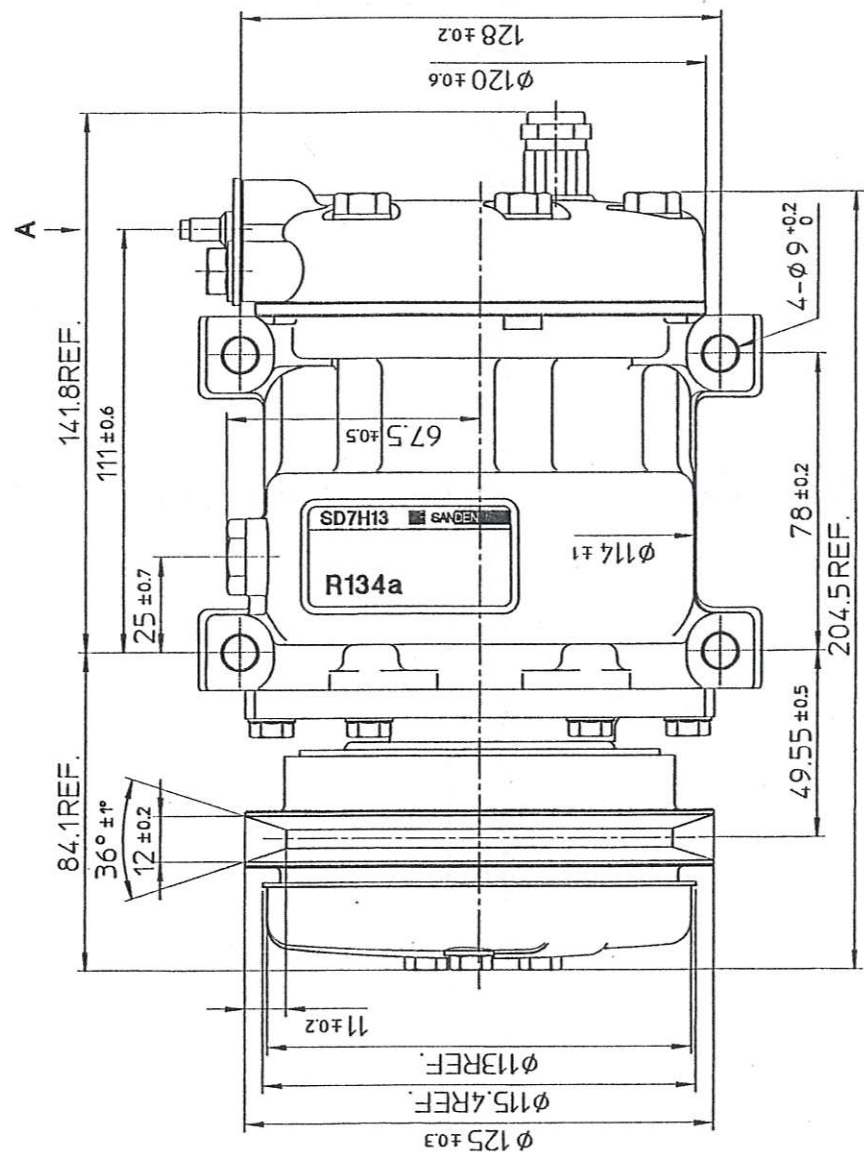
1997. 8. 27  
 非破壊検査  
 二枚管課



PARTIAL SECT.B-B



PARTIAL SECT.C-C



COMPRESSOR SPECIFICATIONS

BORE	629.5	mm
STROKE	27.4	mm
DISPLACEMENT PER REVOLUTION	129.2	cc/rev.
ROTATION	CLOCKWISE	
NUMBER OF CYLINDERS	7	
MAXIMUM ALLOWABLE r.p.m.	4000	r.p.m.
MAXIMUM ALLOWABLE CONTINUOUS r.p.m.	4000	r.p.m.
REFRIGERANT	R-134g	
OIL : SP-20 OR EQUIV.	195	CC
WEIGHT	195	KG

CLUTCH SPECIFICATIONS

RATED VOLTAGE	DC 24 V	
BREAKAWAY TORQUE	3.2	kg-m
MINIMUM ENGAGEMENT VOLTAGE	16	V MAX.
POWER CONSUMPTION	34	W (CU)
MAXIMUM ALLOWABLE r.p.m.	4000	r.p.m.
MAXIMUM ALLOWABLE CONTINUOUS r.p.m.	4000	r.p.m.
BELT TYPE	A	TYPE
PULLEY DIAMETER	Ø125	mm
WEIGHT		KG

MATERIAL		PART NO.	7361	NAME	COMPRESSOR
THIRD ANGLE PROJECTION		SCALE	1:1		
DESIGNED BY	M. S. ...	DATE	12. A.U.S. 1997	MODEL	SD7H13WL7361
CHECKED BY		DATE	12. A.U.S. 1997	DRAWING NO.	7361 - 6000
APPROVED BY	S. ...	DATE	12. A.U.S. 1997		
BY		DATE			
NO.		REVISION RECORD			