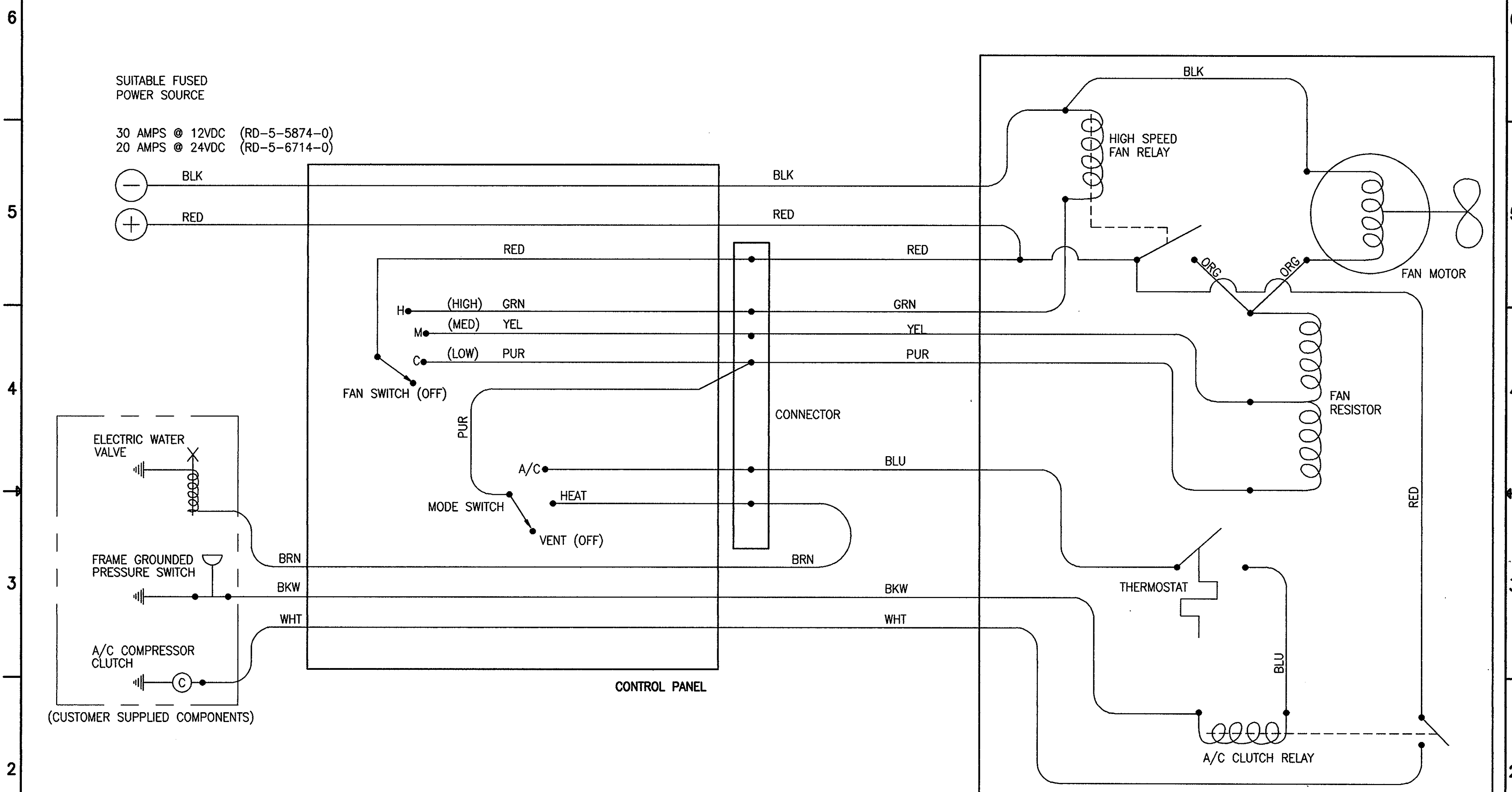


LTR	DATE	BY	CHK'D	PROD APPR	REVISION
--	3-2-96	DMG	DEA	JM	INITIAL RELEASE; (ER08003).



1) SEE RD-3-7871-0 AND RD-3-7872-0 FOR INDIVIDUAL WIRE DESCRIPTIONS AND SPECIFICATIONS

NOTE:

ITEM		PART NO.	DESCRIPTION	MAT'L	FINISH
DWN	D. GATELY	02-02-96	WIRING SCHEMATIC R-9800 THIS PRINT IS PROPRIETARY INFORMATION LOANED SUBJECT TO RETURN UPON DEMAND AND IS NOT TO BE USED DIRECTLY OR INDIRECTLY IN ANY WAY DETRIMENTAL TO RED DOT CORPORATION.		
CKD	D. ASHER	02-05-96			
SCALE NONE					
RED DOT CORPORATION 495 Andover Park East Seattle, WA 98188					
NEXT ASSY		RD-3-7804	DWG. NUMBER	RD-3-7879	SIZE C
				SHEET	1 OF 1