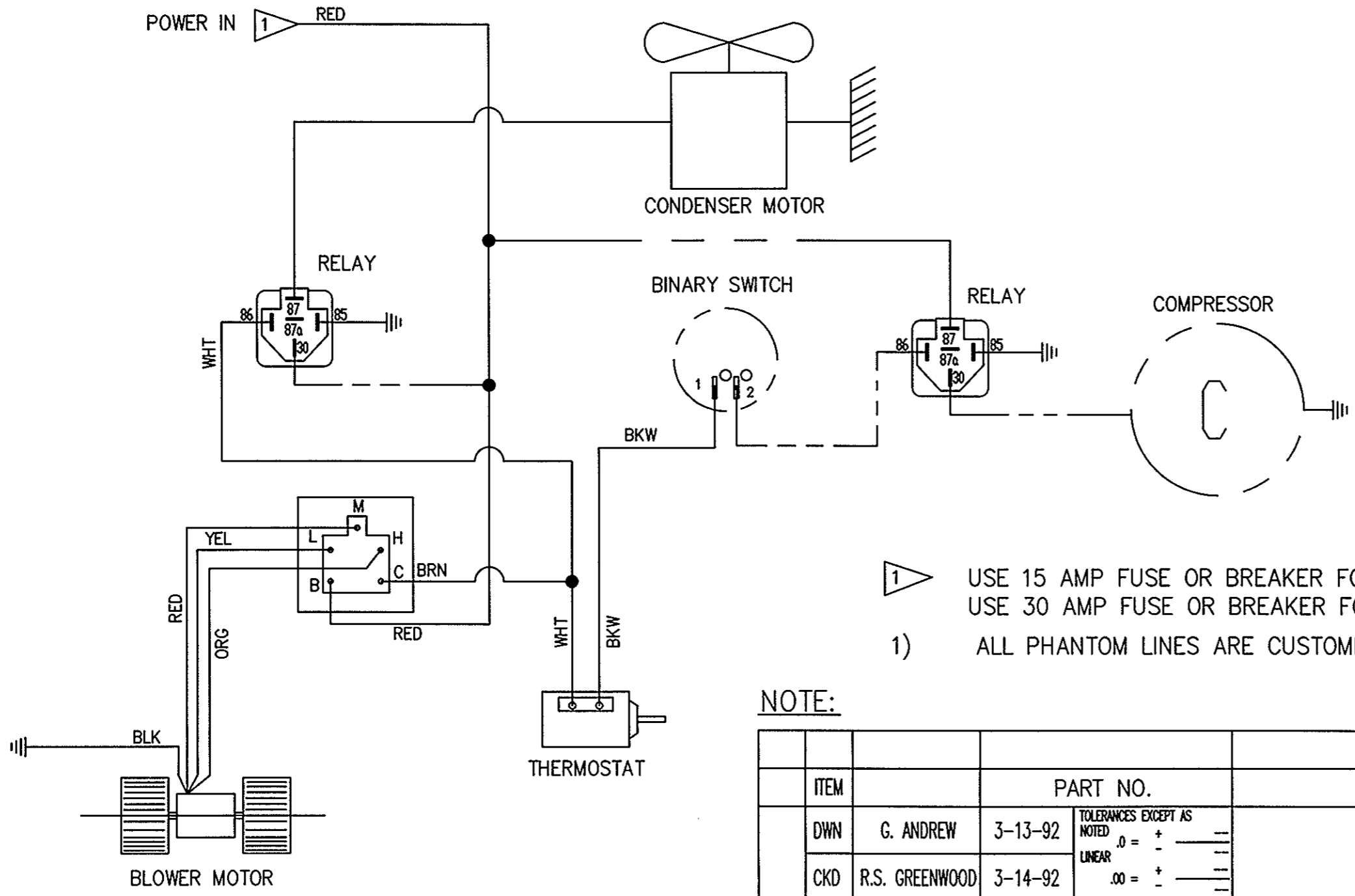


LTR	DATE	BY	CHK'D	PROD APPR	REVISION
A	5-26-95	JER	KM	KM	REDRAWN IN ACAD, PICTORIALY MODIFIED A/C-FAN SWITCH; (QR 32303)
B	9-23-98	JYJ	JLP	MT	PICTORIALY MODIFIED WIRE COLOR DESIGNATIONS; (ER15531)
C	12-9-98	J.N.	<i>JEL</i>	<i>JEL</i>	WHT WIRE FROM RELAY TO THERMOSTAT WAS BRN; RED, YEL & BRN WERE YEL, PUR & WHT; (ER 09981)



- 1) USE 15 AMP FUSE OR BREAKER FOR 24V SYSTEMS (CUSTOMER SUPPLIED)
 USE 30 AMP FUSE OR BREAKER FOR 12V SYSTEMS (CUSTOMER SUPPLIED)
- 1) ALL PHANTOM LINES ARE CUSTOMER SUPPLIED ITEMS.

NOTE:

ITEM		PART NO.	DESCRIPTION	MAT'L	FINISH	
DWN	G. ANDREW	3-13-92	WIRING SCHEMATIC R-9755			
CKD	R.S. GREENWOOD	3-14-92				
SCALE	NONE					
TOLERANCES EXCEPT AS NOTED .0 = + --- LINEAR .00 = + --- .000 = + --- ANGULAR = + ---			THIS PRINT IS PROPRIETARY INFORMATION LOANED SUBJECT TO RETURN UPON DEMAND AND IS NOT TO BE USED DIRECTLY OR INDIRECTLY IN ANY WAY DETRIMENTAL TO RED DOT CORPORATION.			
RED DOT CORPORATION 495 Andover Park East Seattle, WA 98188			NEXT ASSY RD-2-2030	DWG. NUMBER RD-2-1991	SIZE B	SHEET 1 OF 1