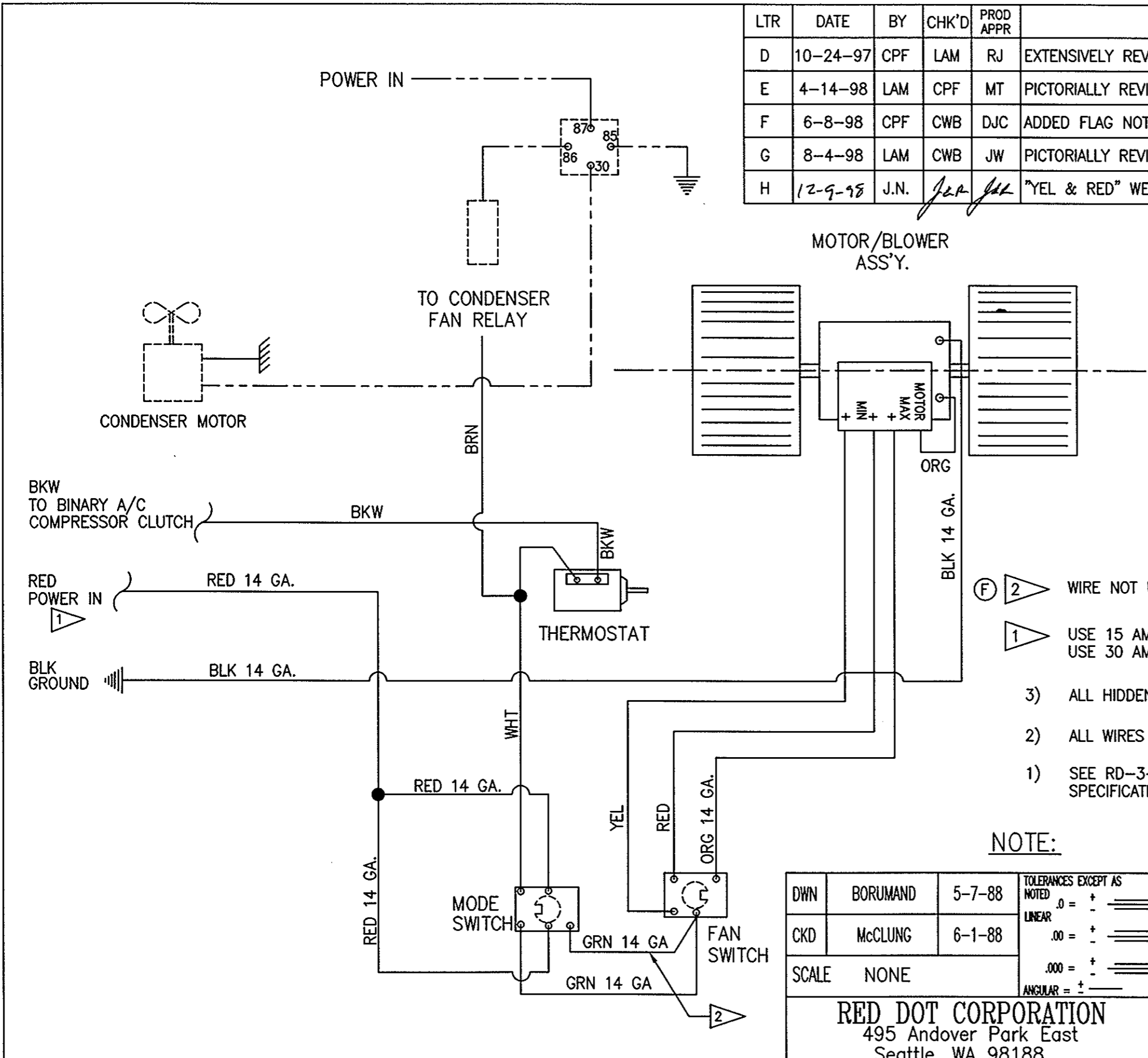


LTR	DATE	BY	CHK'D	PROD APPR	REVISION
D	10-24-97	CPF	LAM	RJ	EXTENSIVELY REVISED, SEE ACAD FILES FOR PREV. REVS.; (ER 10541)
E	4-14-98	LAM	CPF	MT	PICTORIALLY REVISED BY DELETING LAMP, BLK WIRES & BLU WIRE; (ER 10354)
F	6-8-98	CPF	CWB	DJC	ADDED FLAG NOTE 2; (ER 10354)
G	8-4-98	LAM	CWB	JW	PICTORIALLY REVISED TO REFLECT REVISION TO MODE SWITCH WIRING; (ER 14449)
H	12-9-98	J.N.	J.P.R.	J.P.R.	"YEL & RED" WERE "PUR & YEL" ON FAN SWITCH WIRING; (ER09981)



- (F) 2 WIRE NOT USED FOR RD-3-4680-1, -3, -5, -7.
- 1 USE 15 AMP FUSE OR BREAKER FOR 24V SYSTEMS (CUSTOMER SUPPLIED)
USE 30 AMP FUSE OR BREAKER FOR 12V SYSTEMS (CUSTOMER SUPPLIED)
- 3) ALL HIDDEN LINES DENOTE CUSTOMER SUPPLIED COMPONENTS.
- 2) ALL WIRES ARE 16 GA. UNLESS OTHER SPECIFIED.
- 1) SEE RD-3-4835-0 WIRE HARNESS ASSY FOR INDIVIDUAL WIRE DESCRIPTION & SPECIFICATIONS.

NOTE:

DWN	BORUMAND	5-7-88	TOLERANCES EXCEPT AS NOTED
CKD	McCLUNG	6-1-88	LINEAR .0 = + .00 = - .000 = + ANGULAR = ±
SCALE		NONE	
RED DOT CORPORATION 495 Andover Park East Seattle, WA 98188			

WIRING DIAGRAM HTR-A/C R-9750			
<small>THIS PRINT IS PROPRIETARY INFORMATION LOANED SUBJECT TO RETURN UPON DEMAND AND IS NOT TO BE USED DIRECTLY OR INDIRECTLY IN ANY WAY DETRIMENTAL TO RED DOT CORPORATION.</small>			
NEXT ASSY CUSTOMER	DWG. NUMBER RD-3-4891	SIZE B	SHEET 1 OF 1