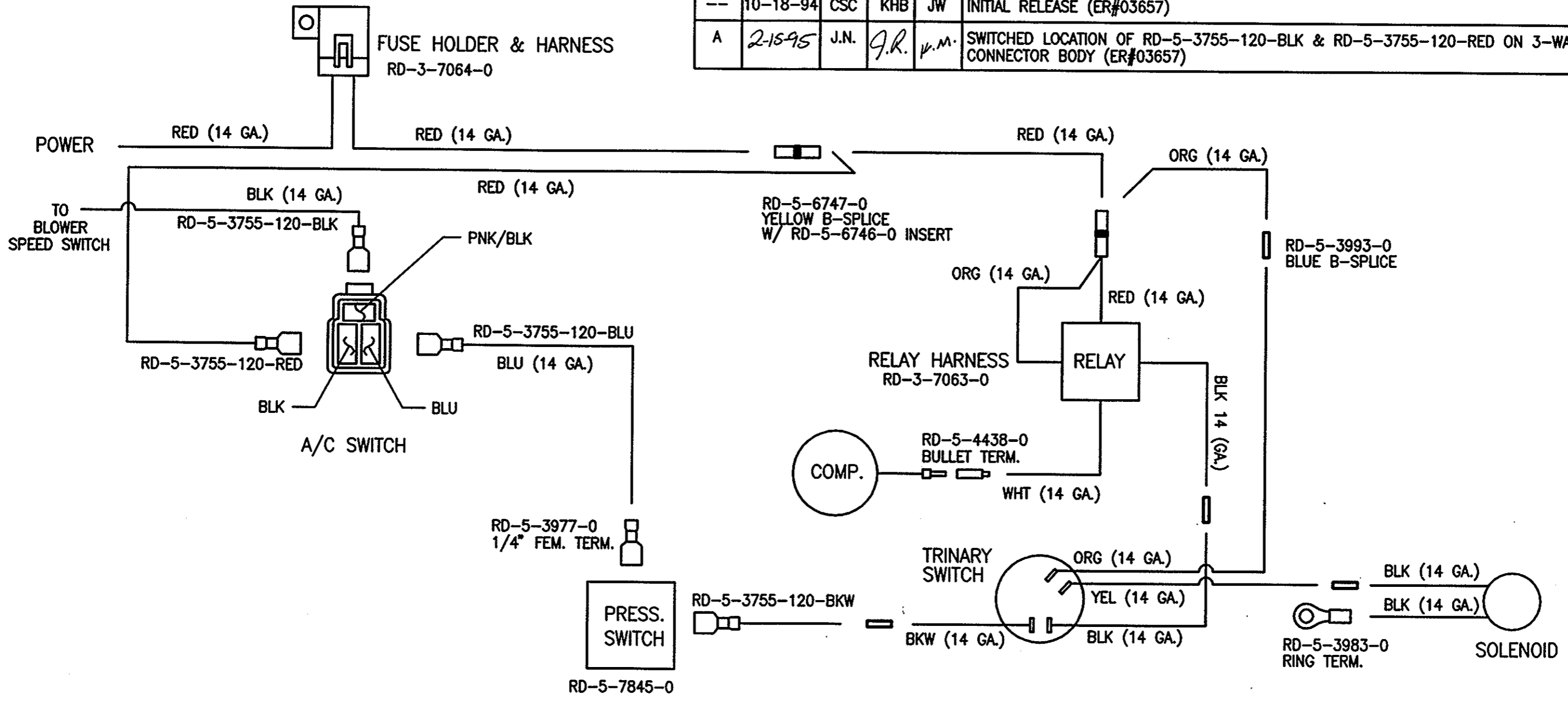


LTR	DATE	BY	CHK'D	PROD APPR	REVISION
--	10-18-94	CSC	KHB	JW	INITIAL RELEASE (ER#03657)
A	2-15-95	J.N.	J.R.	V.M.	SWITCHED LOCATION OF RD-5-3755-120-BLK & RD-5-3755-120-RED ON 3-WAY CONNECTOR BODY (ER#03657)



ITEM	PART NO.		DESCRIPTION	MAT'L	FINISH		
DWN	C. CRAWFORD	9-20-94	<b>WIRING DIAGRAM FORD "L"</b> <b>R-8725</b>				
CKD	J. COLLEY	9-20-94					
SCALE		NONE					
<b>RED DOT CORPORATION</b> 495 Andover Park East Seattle, WA 98188			THIS PRINT IS PROPRIETARY INFORMATION LOANED SUBJECT TO RETURN UPON DEMAND AND IS NOT TO BE USED DIRECTLY OR INDIRECTLY IN ANY WAY DETRIMENTAL TO RED DOT CORPORATION.	NEXT ASSY RD-3-7015	DWG. NUMBER <b>RD-3-7058</b>	SIZE <b>B</b>	SHEET 1 OF 1