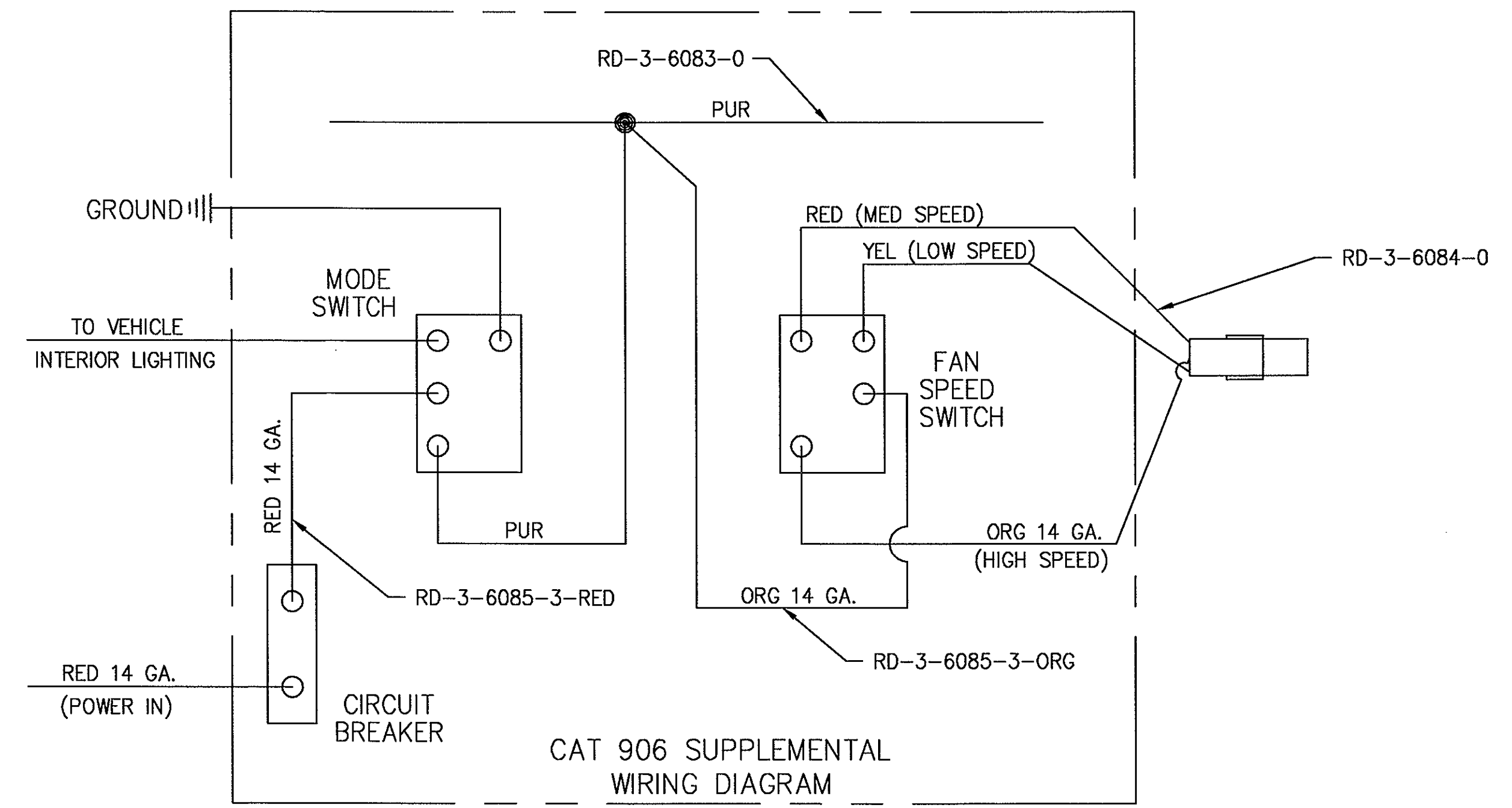
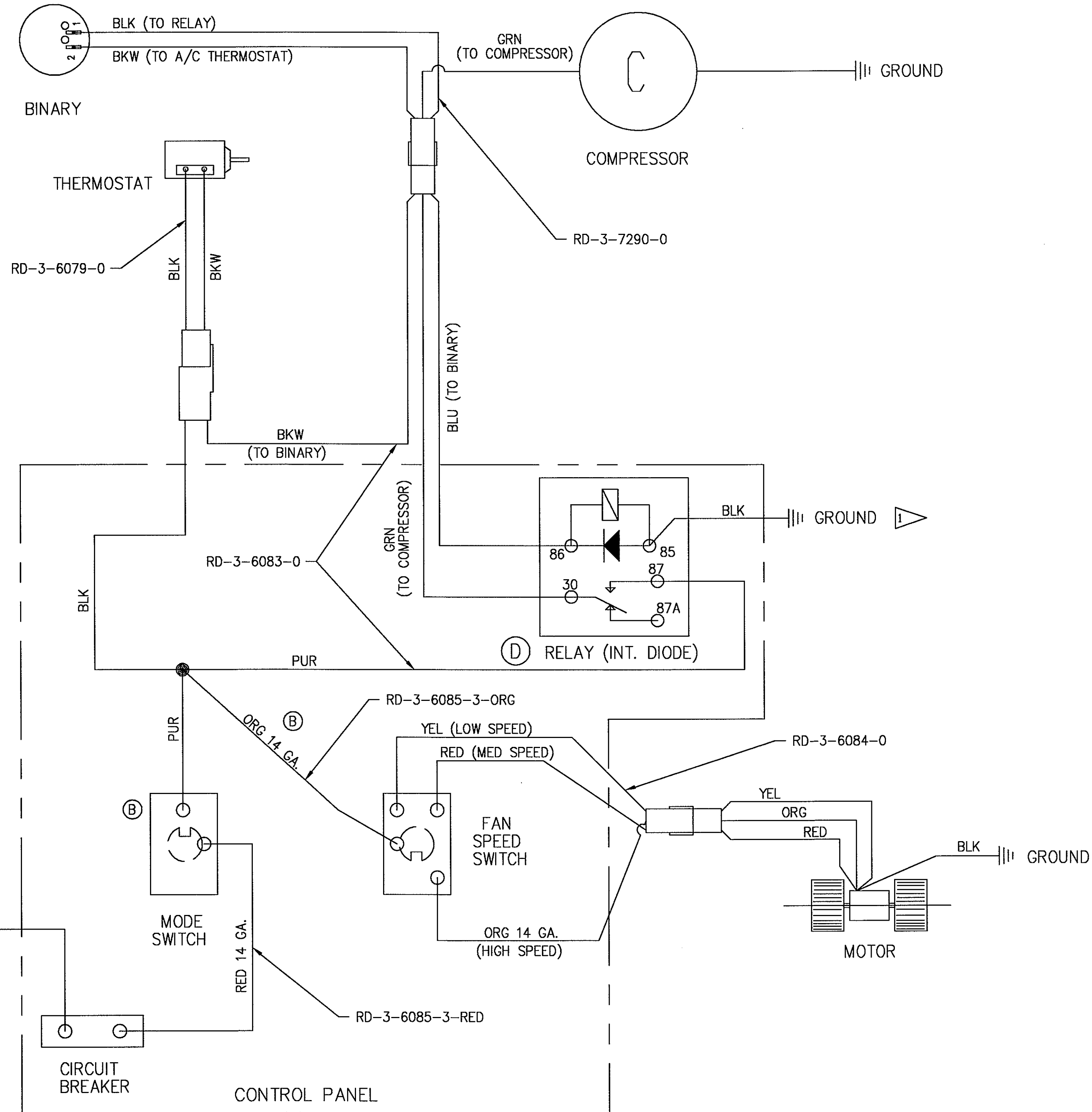


REVISION					
LTR	DATE	BY	CHK'D	PROVE OUT	PROD APPR
F	9-8-99	CWB	JER	--	RJ
G	6-5-08	LAM	PKK	EBP	216

WAS SIZE C; ADDED CAT SUPPLEMENTAL WIRING DIAGRAM; (ER 15621)
 PICTORIALLY REVISED (DELETED SCHEMATIC FOR R-8500-3-24P & R-8500-5-24P ONLY); (ER-SIG330, EC-MFG481)



ITEM	PART NO.	DESCRIPTION	MAT'L	FINISH
DWN	R. MASSIE 10/15/91	WIRING SCHEMATIC, A/C ONLY R-8500		
CKD	K. McCLUNG 1-22-92			
SCALE	NONE			
RED DOT CORPORATION 495 Andover Park East Seattle, WA 98188		THIS PRINT IS PROPRIETARY INFORMATION LOANED SUBJECT TO RETURN UPON DEMAND AND IS NOT TO BE USED DIRECTLY OR INDIRECTLY IN ANY WAY DETRIMENTAL TO RED DOT CORPORATION.	NEXT ASSY CUSTOMER	DWG. NUMBER RD-3-6099
			SIZE D	SHEET 1 OF 1