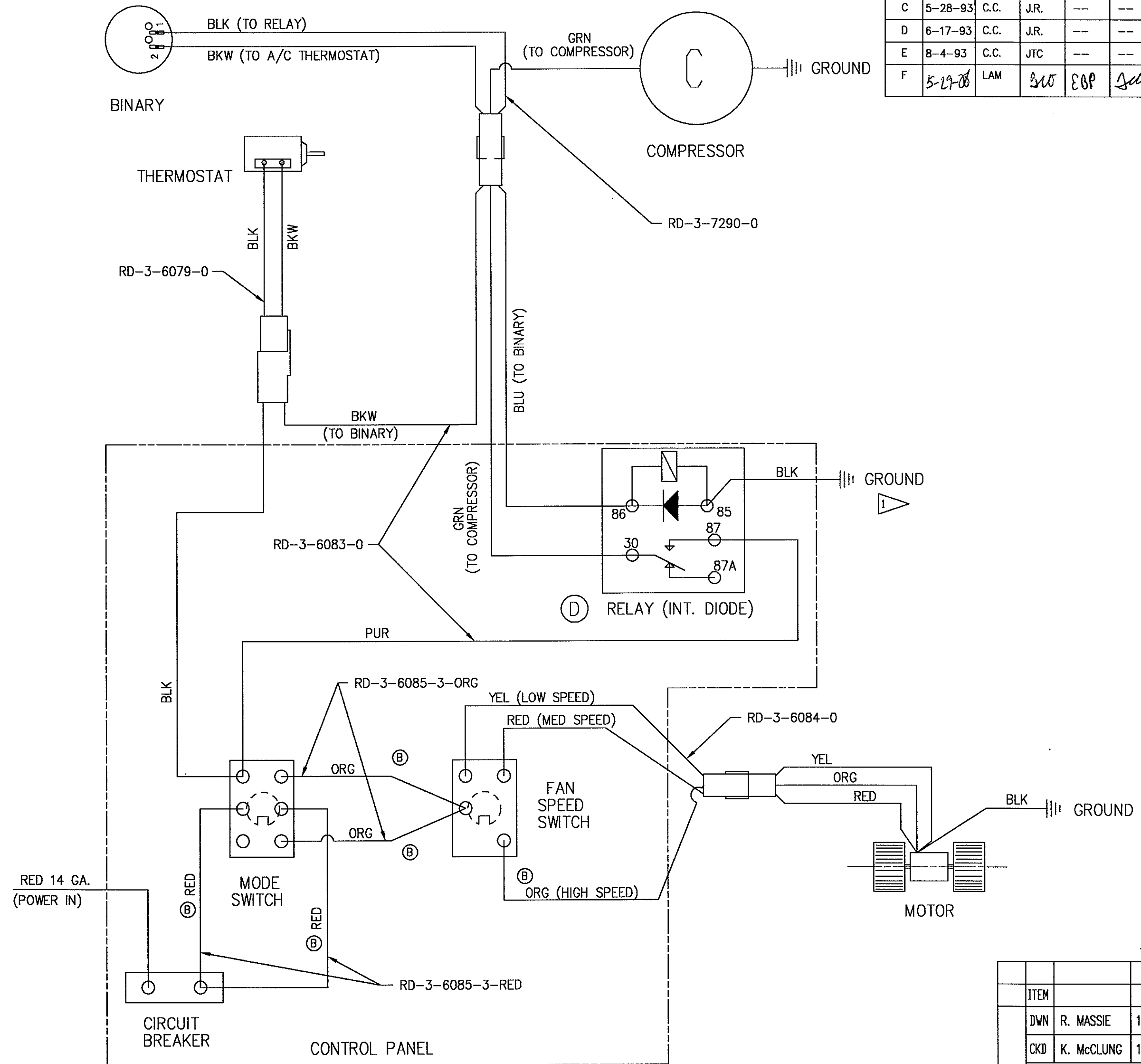


LTR	DATE	BY	CHK'D	PROVE OUT	PROD APPR	REVISION
--	1-22-92	R.M.	K.M.	--	--	INITIAL RELEASE ER 01599
A	2-25-92	R.M.	C.S.C.	--	--	EXTENSIVELY REVISED & REDRAWN (ER# 01599)
B	4-7-92	T.B.	J.S.M.	--	--	ORG 16 GA. & RED 16 GA. WIRES WERE ORG 14 GA. & RED 14 GA. WIRES; MR#15521
C	5-28-93	C.C.	J.R.	--	--	REVISED RELAY TO REFLECT INTERNAL DIODE (ER#03441)
D	6-17-93	C.C.	J.R.	--	--	REVERSED #85 & #86 TERMINALS ON RELAY (ER#03441)
E	8-4-93	C.C.	JTC	--	--	ADDED R-8500-2-24P AND R-8500-4-24P SCHEMATIC (ER#03176)
F	5-19-00	LAM	SW	EBP	JED	PICTORIALLY REVISED (DELETED SCHEMATIC FOR R-8500-2-24P & R-8500-4-24P ONLY); (ER-SIG330, EC-MFG481)



1) ALL WIRE IS 16 GA. UNLESS OTHERWISE NOTED

MOUNT TO A GROUNDED LEAD

NOTES:

ITEM	DATE	BY	CHK'D	PROVE OUT	PROD APPR	DESCRIPTION	MAT'L	FINISH	
DWN	R. MASSIE	10/15/91				WIRING SCHEMATIC, HEATER - A/C R-8500			
CKD	K. McCLUNG	1/22/92							
SCALE	NONE								
RED DOT CORPORATION 495 Andover Park East Seattle, WA 98188						THIS PRINT IS LOANED SUBJECT TO RETURN UPON DEMAND AND IS NOT TO BE USED DIRECTLY OR INDIRECTLY IN ANY WAY DETRIMENTAL TO RED DOT CORPORATION	NEXT ASSY CUSTOMER	DWG. NUMBER RD-3-6094	SHEET 1 OF 1