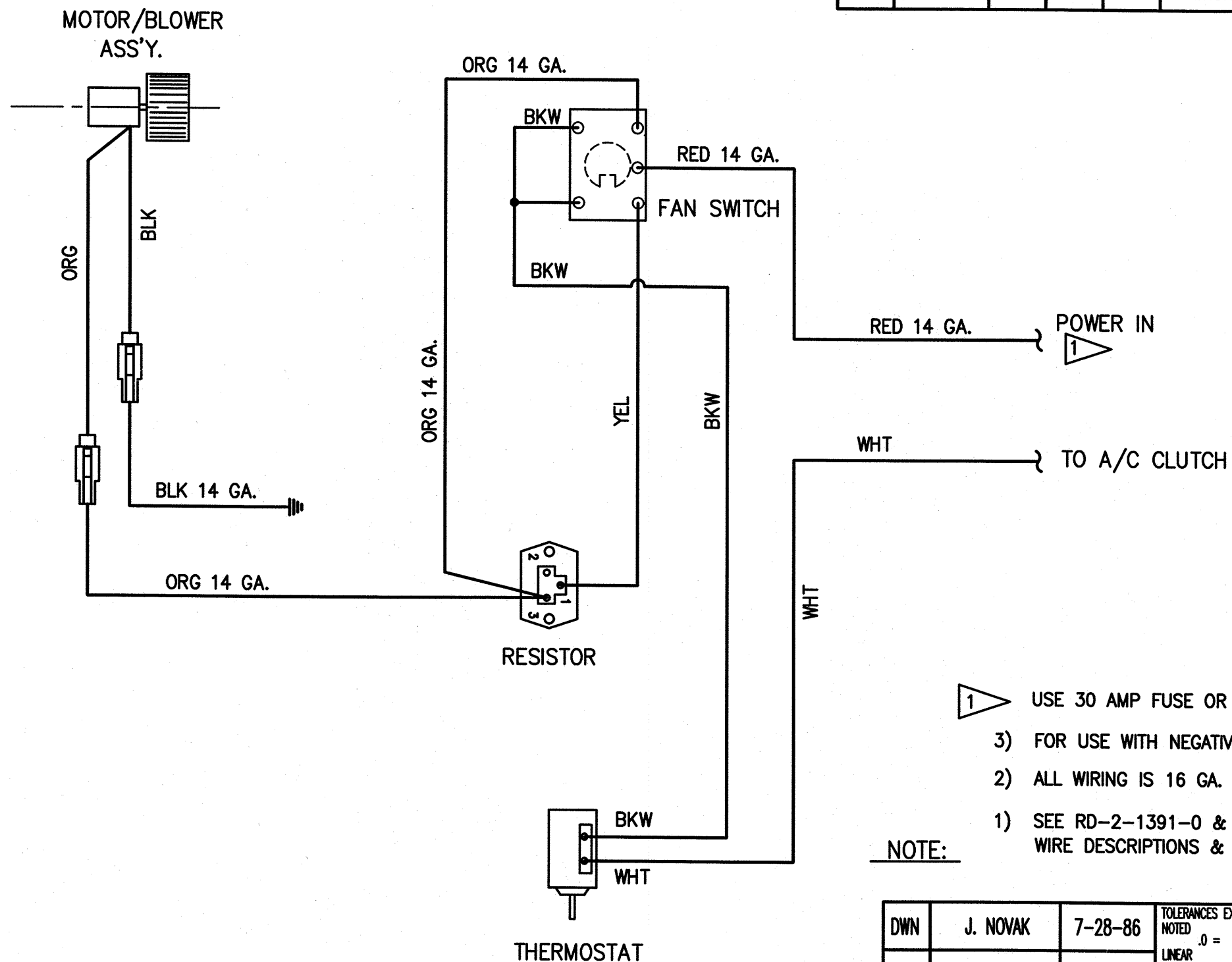


LTR	DATE	BY	CHK'D	PROD APPR	REVISION
A	7-2-96	JTC	RHP	RHP	REVISED & REDRAWN IN ACAD, SEE ORIGINAL "B" SIZE FOR INITIAL RELEASE; (ER #06615)
B	8-7-98	J.N.	FHS	LSB	EXTENSIVELY REVISED & REDRAWN SEE ACAD FILES FOR PREVIOUS REV; (GEE 1998)



- NOTE:
- 1) USE 30 AMP FUSE OR BREAKER (CUSTOMER SUPPLIED)
  - 2) ALL WIRING IS 16 GA. UNLESS OTHERWISE SPECIFIED.
  - 3) FOR USE WITH NEGATIVE GROUND SYSTEM ONLY.
  - 1) SEE RD-2-1391-0 & RD-2-1394-0 WIRE HARNESS ASSY'S FOR INDIVIDUAL WIRE DESCRIPTIONS & SPECS.

DWN	J. NOVAK	7-28-86	TOLERANCES EXCEPT AS NOTED
CKD	S. MOREHOUSE	10-10-86	.0 = +
SCALE	NONE		.00 = +
			.000 = +
			ANGULAR = ±

**RED DOT CORPORATION**  
 495 Andover Park East  
 Seattle, WA 98188

**WIRING DIAGRAM**  
**R-7830 (12 V & 24 V)**

THIS PRINT IS PROPRIETARY INFORMATION LOANED SUBJECT TO RETURN UPON DEMAND AND IS NOT TO BE USED DIRECTLY OR INDIRECTLY IN ANY WAY DETRIMENTAL TO RED DOT CORPORATION.

NEXT ASSY CUSTOMER	DWG. NUMBER	SIZE	SHEET
	<b>RD-2-1493</b>	<b>B</b>	<b>1 OF 1</b>