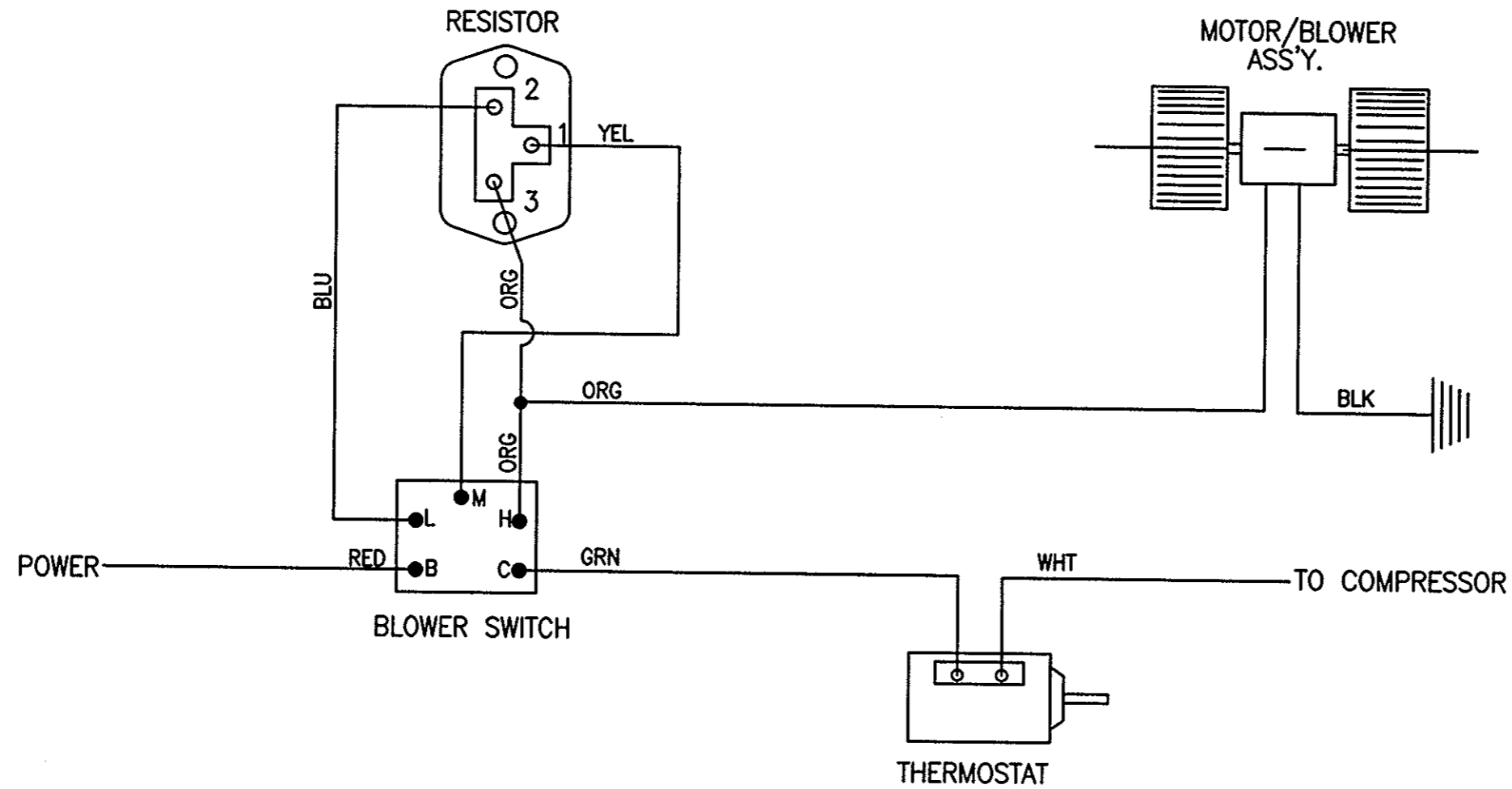


LTR	DATE	BY	CHK'D	PROVE OUT	PROD APPR	REVISION
--	11-6-00	LAM	CCC	<i>[Signature]</i>	<i>[Signature]</i>	INITIAL RELEASE; (ER 16301)



1) SEE RD-2-3601-0 WIRE HARNESS ASSY FOR INDIVIDUAL WIRE DESCRIPTIONS & SPECIFICATIONS

NOTES:

DWN	L. MILLAR	1-17-00	TOLERANCES EXCEPT AS NOTED 0. MM = ± 3 MM .0 IN = ± .12 INCH .0 MM = ± 1.5 MM .00 IN = ± .06 INCH .00 MM = ± .76 MM .000 IN = ± .030 INCH ANGULAR = ± 2 DEG	WIRE SCHEMATIC R-6830	
CKD	C. COPPOCK	6-15-00		THIS PRINT IS PROPRIETARY INFORMATION LOANED SUBJECT TO RETURN UPON DEMAND AND IS NOT TO BE USED DIRECTLY OR INDIRECTLY IN ANY WAY DETRIMENTAL TO RED DOT CORPORATION.	
SCALE		NONE			
RED DOT CORPORATION 495 Andover Park East Seattle, WA 98188				RD-2-3602	SIZE
				B	1 OF 1