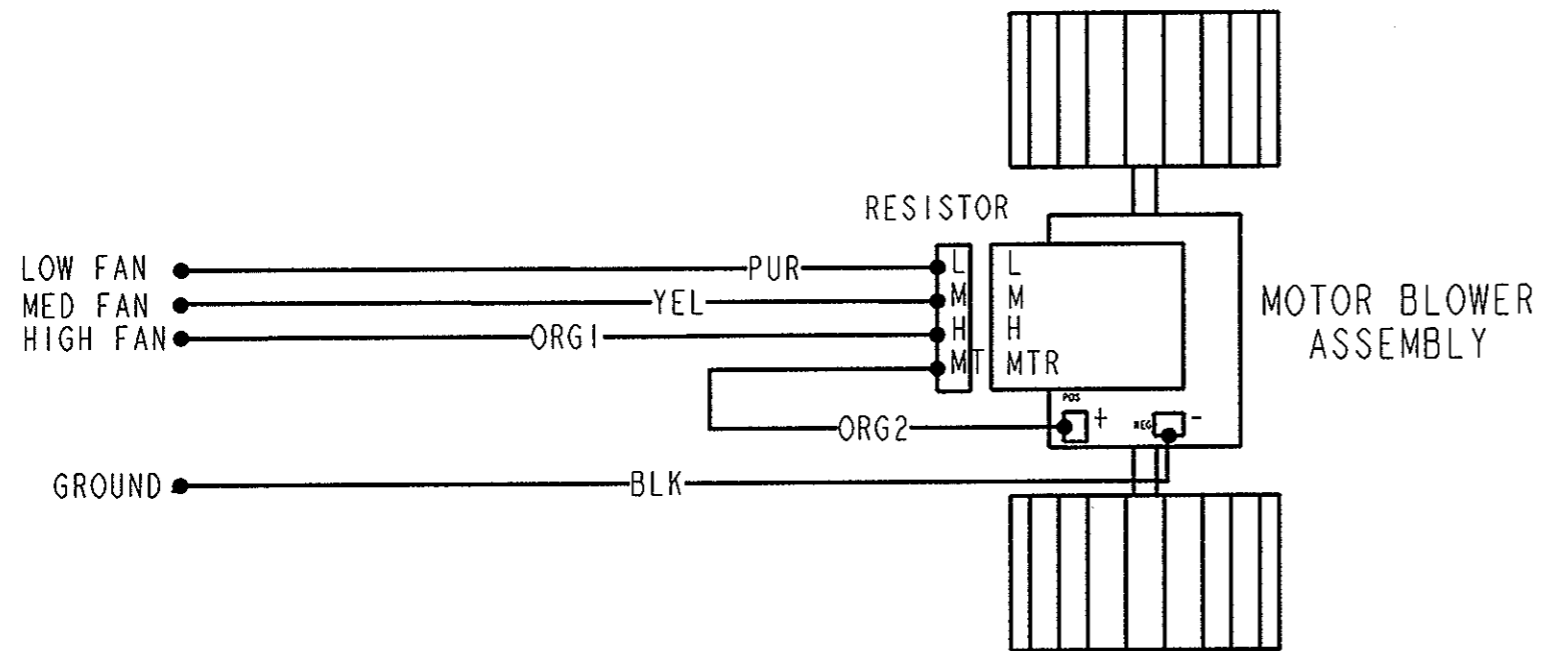


LTR	DATE	BY	CHK'D	PROVE OUT	PROD APPR	REVISION
--	11-20-01	TCT	ONG.	MT	Red	INITIAL RELEASE (ER 25839)



2) SEE RD-3-10529-0 WIRE HARNESS ASSEMBLY FOR INDIVIDUAL WIRE DESCRIPTIONS AND SPECIFICATIONS

1) ALL WIRING 14 GA. UNLESS OTHERWISE SPECIFIED

NOTE:

ITEM	PART NO.		DESCRIPTION	MAT'L	FINISH
DWN	T. THOMPSON	9-19-01	<b>WIRING DIAGRAM R-2550</b>		
CKD	D. GATELY	9-20-01			
SCALE: DRAWING SCALE				THIS PRINT IS PROPRIETARY INFORMATION LOANED SUBJECT TO RETURN UPON DEMAND AND IS NOT TO BE USED DIRECTLY OR INDIRECTLY IN ANY WAY DETRIMENTAL TO RED DOT CORPORATION	
<b>RED DOT CORPORATION</b> 495 Andover Park East Seattle, WA 98188			NEXT ASSY CUSTOMER	DWG. NUMBER <b>RD-3-10533</b>	SIZE <b>B</b> SHEET 1 of 1