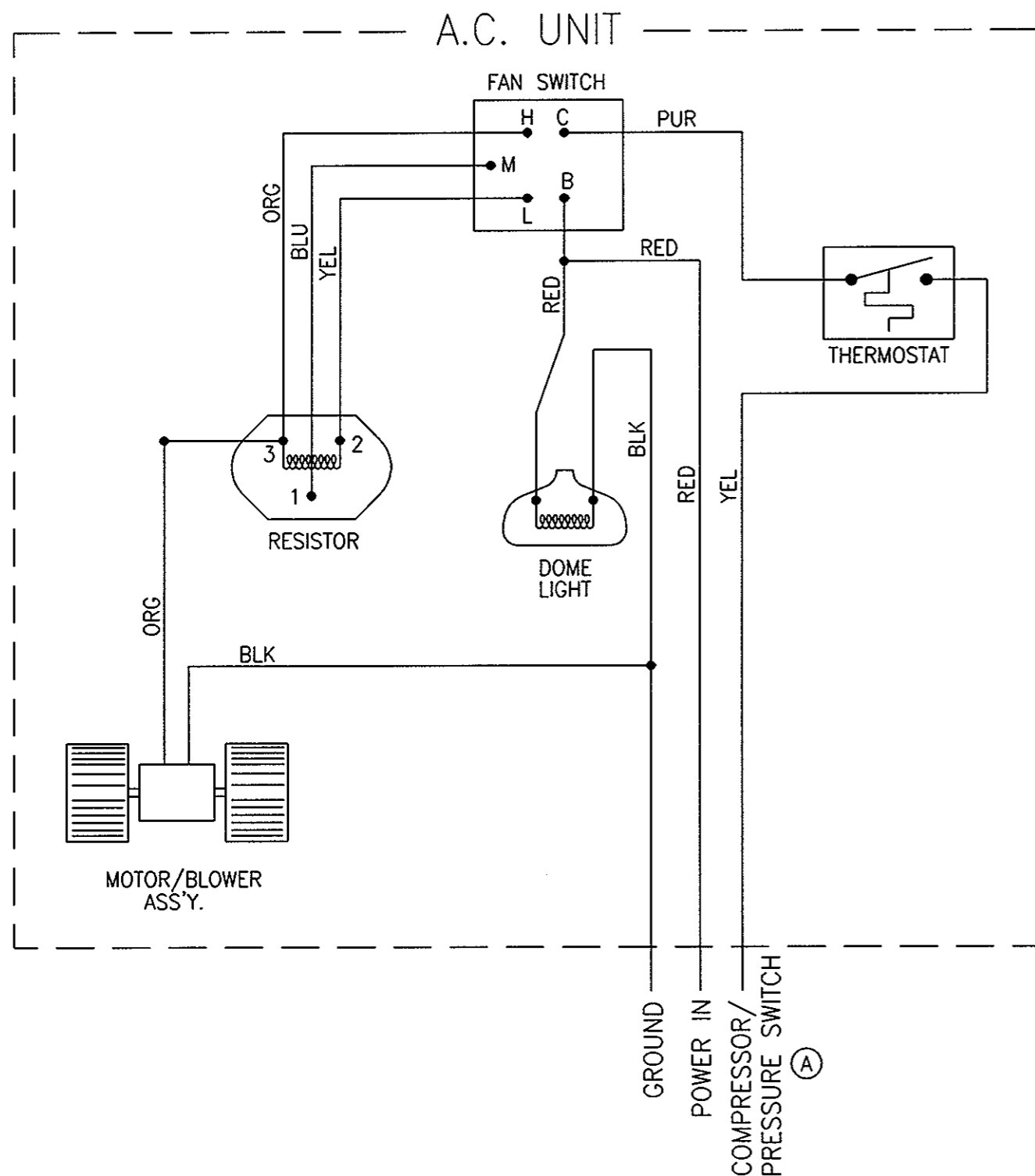


RD-2-3136

LTR	DATE	BY	CHK'D	PROVE OUT	PROD APPR	REVISION
--	1-15-97	KIY	BTW	--	SN	INITIAL RELEASE; (ER10159)
A	4-23-02	TCT	<i>mg</i>	<i>mg</i>	<i>mg</i>	"COMPRESSOR/PRESSURE SWITCH" WAS "REC/DRIER" (ER 27281)

RD-2-3136



1) SEE RD-2-3135-0 WIRE HARNESS ASSY. FOR INDIVIDUAL WIRE DESCRIPTIONS & SPECIFICATIONS.

NOTE:

ITEM		PART NO.	DESCRIPTION	MAT'L	FINISH		
DWN	K. YU	10-30-96	SCHEMATIC R-2000				
CKD	D. ASHER	11-4-96					
SCALE NONE							
TOLERANCES EXCEPT AS NOTED .0 = + LINEAR .00 = + .000 = + ANGULAR = ±							
RED DOT CORPORATION 495 Andover Park East Seattle, WA 98188				NEXT ASSY CUSTOMER	DWG. NUMBER RD-2-3136	SIZE B	SHEET 1 OF 1

THIS PRINT IS PROPRIETARY INFORMATION LOANED SUBJECT TO RETURN UPON DEMAND AND IS NOT TO BE USED DIRECTLY OR INDIRECTLY IN ANY WAY DETRIMENTAL TO RED DOT CORPORATION.