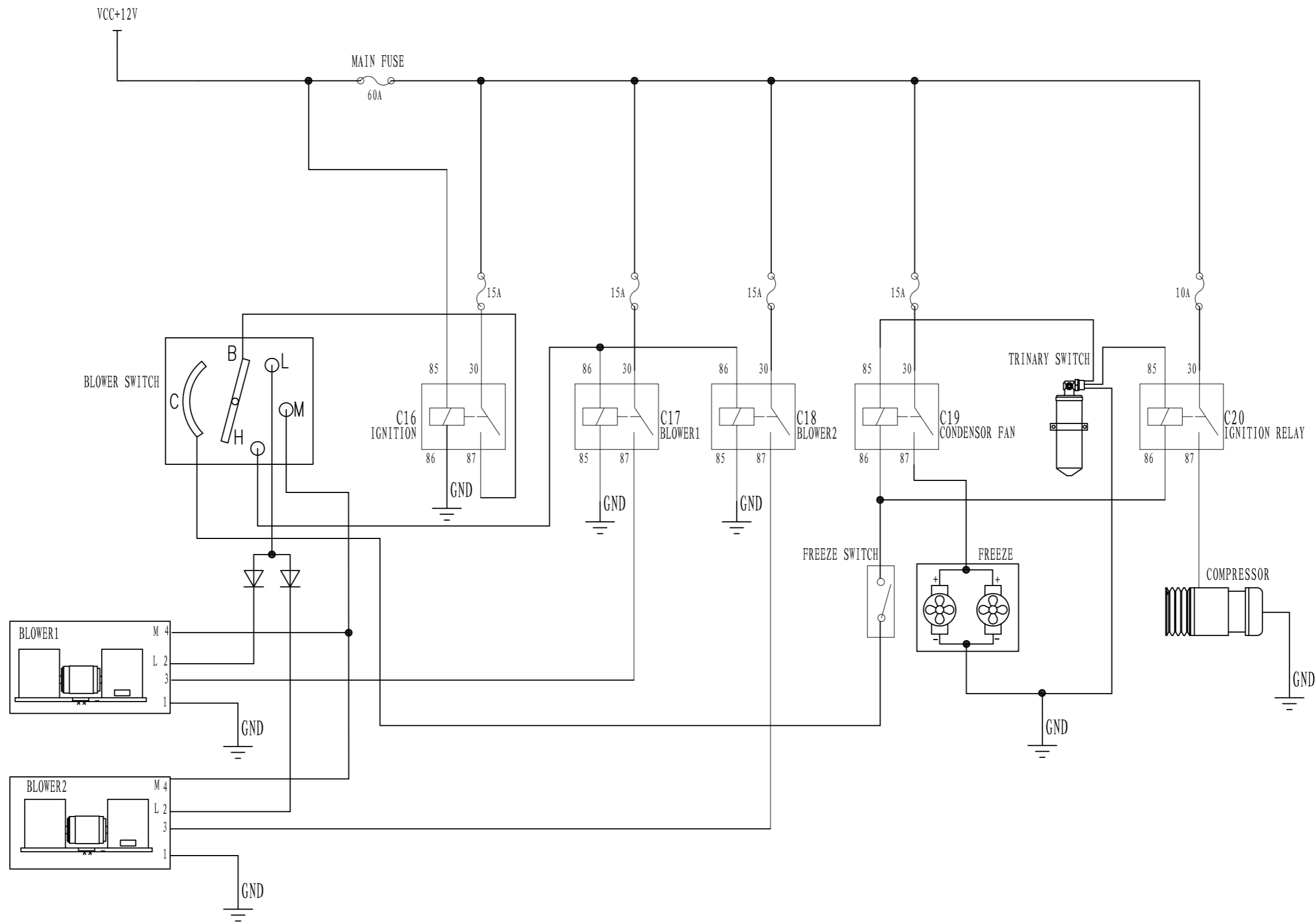


PART_NO



Signatory

Print date

BY										KC-3000	
DRA											
CHK						CUSTOM_NUMBER					
APR						NOTE	WT	SIZE	SCALE		
The information hereon is confidential and proprietary property of Bergstrom Inc and/or its subsidiaries. Any use except for that which it may be loaned, is prohibited.						VER	SA	S			

Wire Schematic