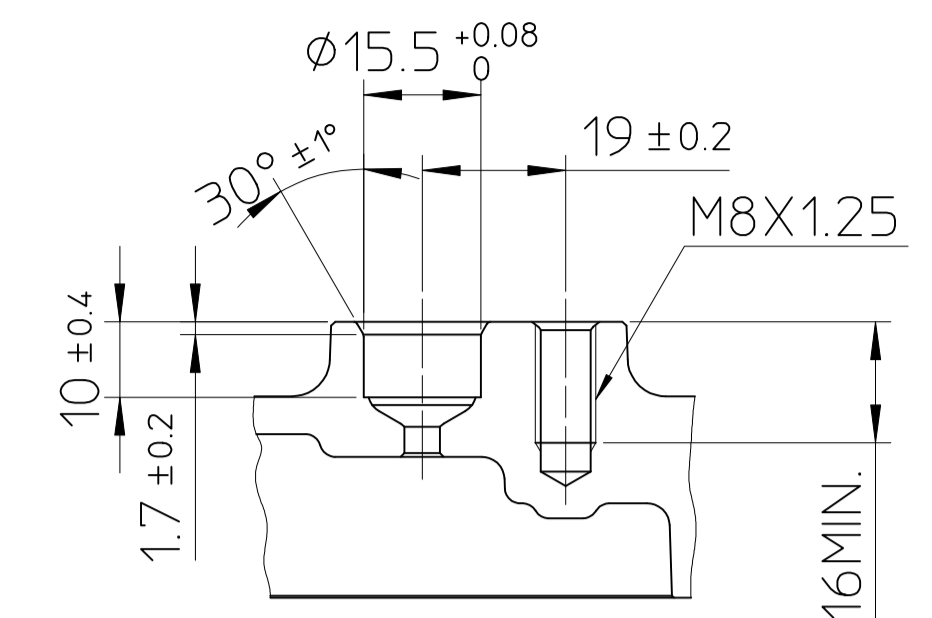
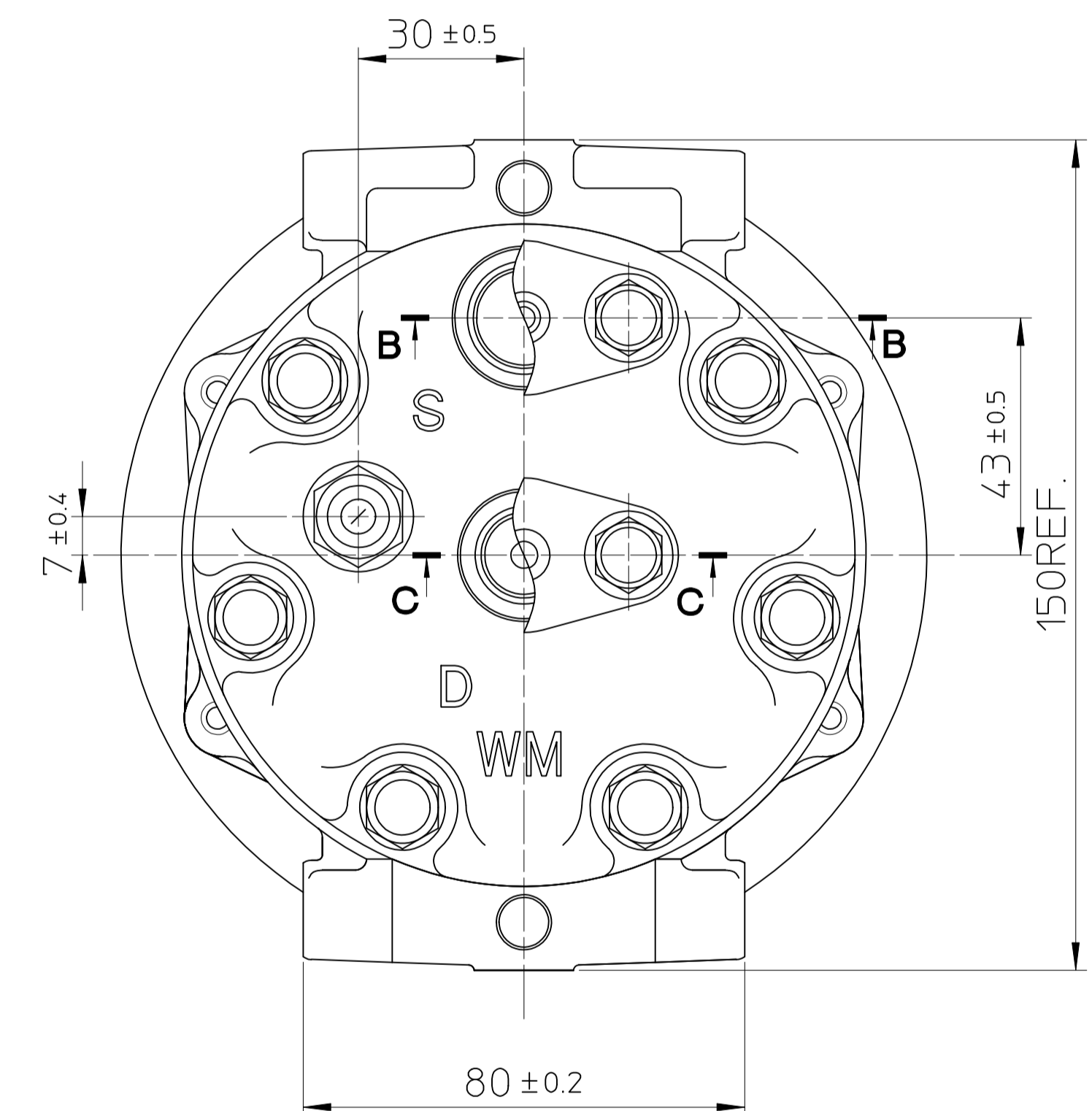
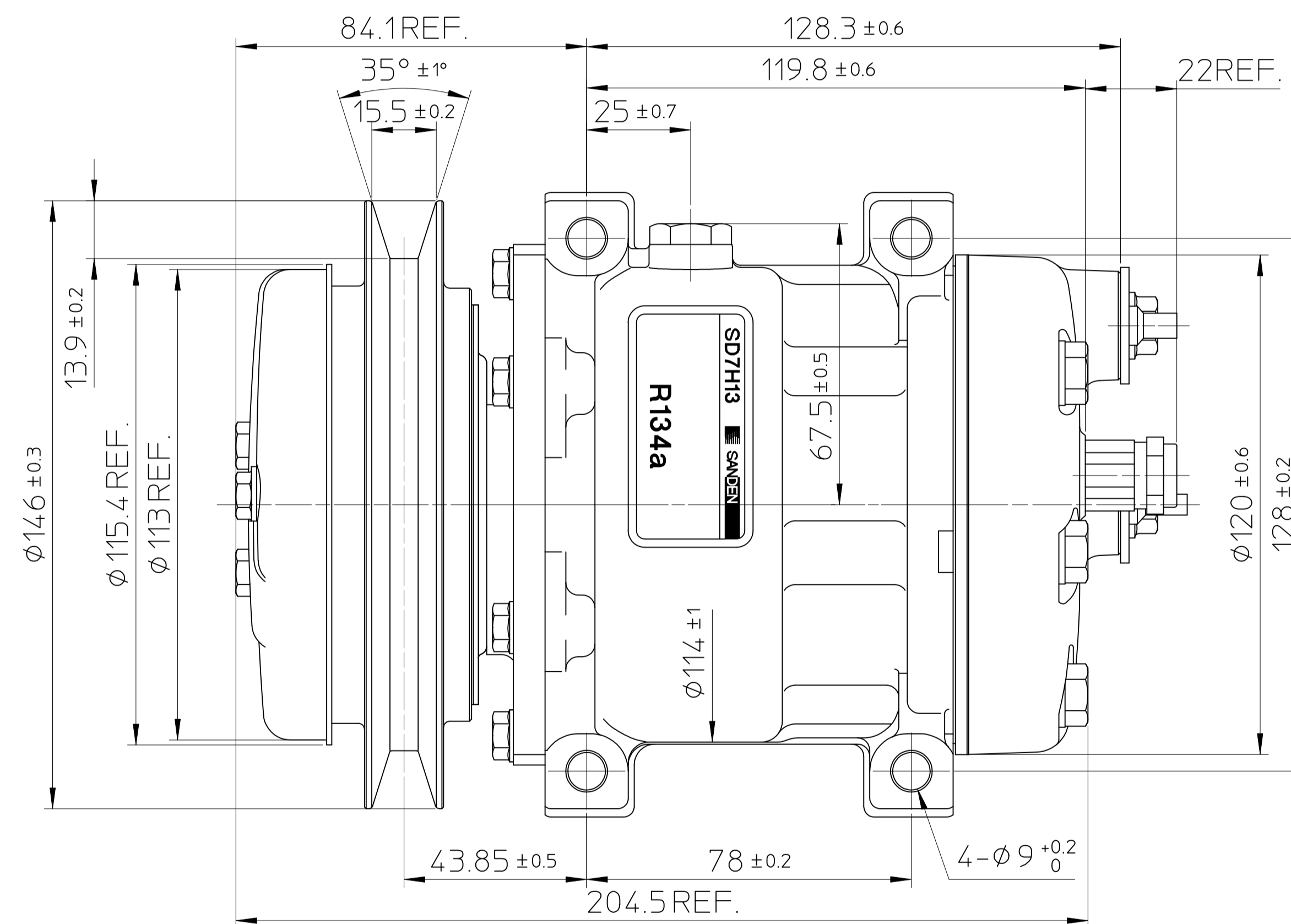


PARTIAL SECT.B-B



PARTIAL SECT.C-C



COMPRESSOR SPECIFICATIONS

BORE	φ29.3	mm
STROKE	27.4	mm
DISPLACEMENT PER REVOLUTION	129.2	cc/rev.
ROTATION	CLOCKWISE	
NUMBER OF CYLINDERS	7	
MAXIMUM ALLOWABLE r.p.m.	4000	r.p.m.
MAXIMUM ALLOWABLE CONTINUOUS r.p.m.	4000	r.p.m.
REFRIGERANT	R-134a	
OIL : SP-20 OR EQUIV.	135	cc
WEIGHT		kg

CLUTCH SPECIFICATIONS

RATED VOLTAGE	DC 24 V
BREAKAWAY TORQUE	3.2 kg-m
MINIMUM ENGAGEMENT VOLTAGE	16 V MAX.
POWER CONSUMPTION	34 W (CU)
MAXIMUM ALLOWABLE r.p.m.	4000 r.p.m.
MAXIMUM ALLOWABLE CONTINUOUS r.p.m.	4000 r.p.m.
BELT TYPE	B TYPE
PULLEY DIAMETER	φ146 mm
WEIGHT	kg

NO.	REVISION RECORD	BY	DATE	MATERIAL	PART NO.	7351	NAME	COMPRESSOR
				THIRD ANGLE PROJECTION	SCALE	1 : 1		
				DESIGNED BY	DATE		MODEL	SD7H13WM7351
				CHECKED BY	DATE		DRAWING NO.	7351 - 6000
				APPROVED BY	DATE			