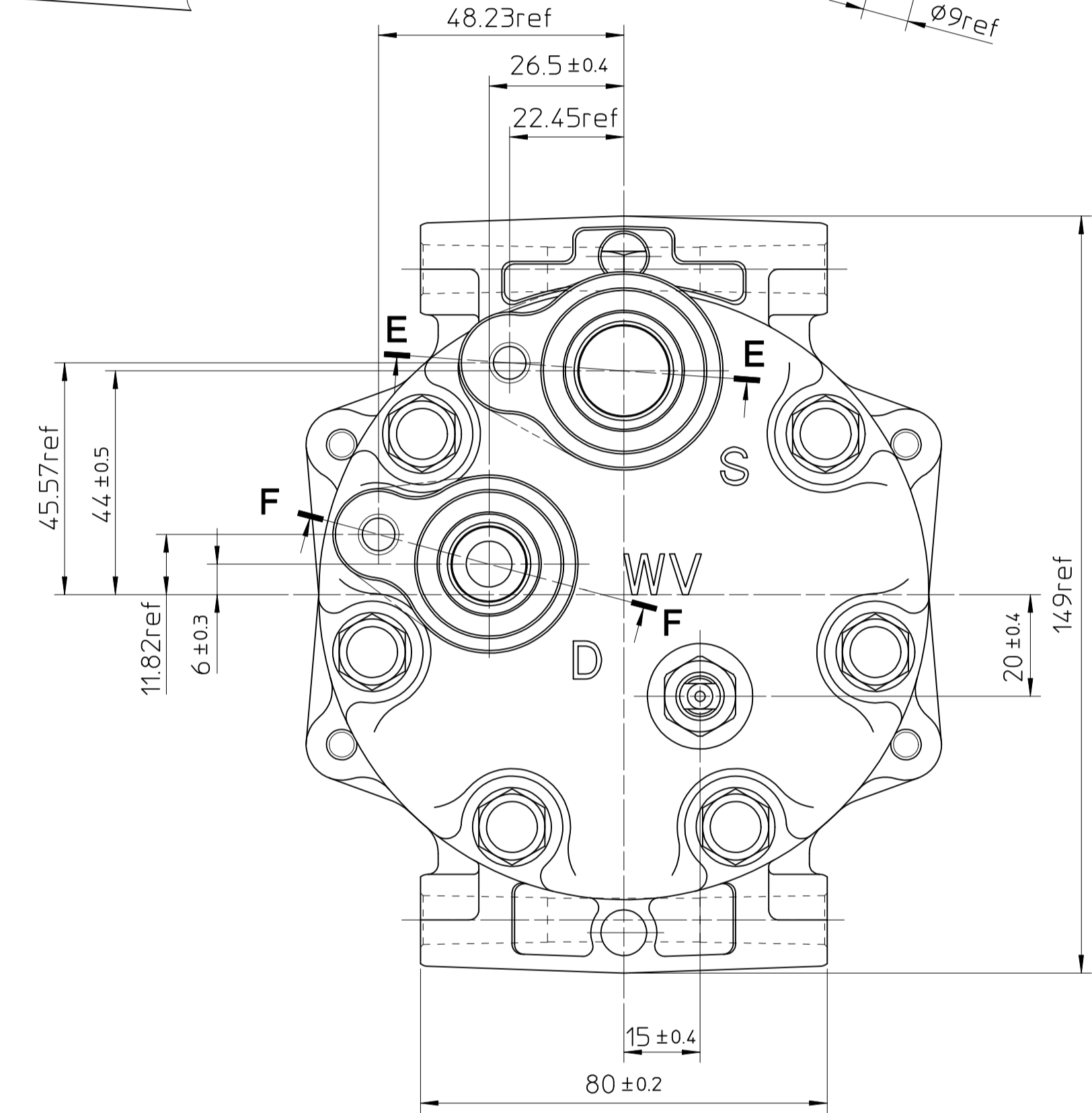
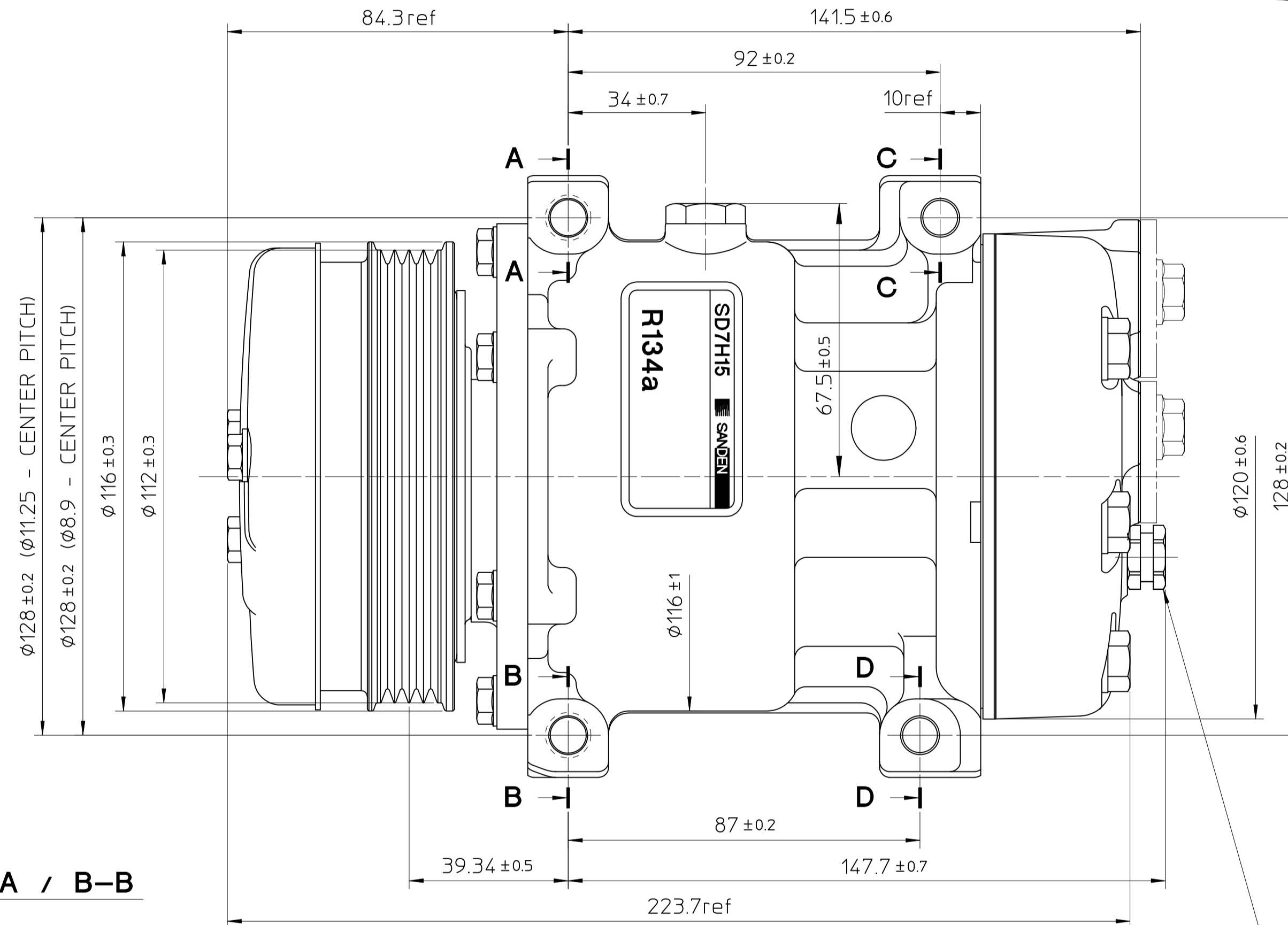
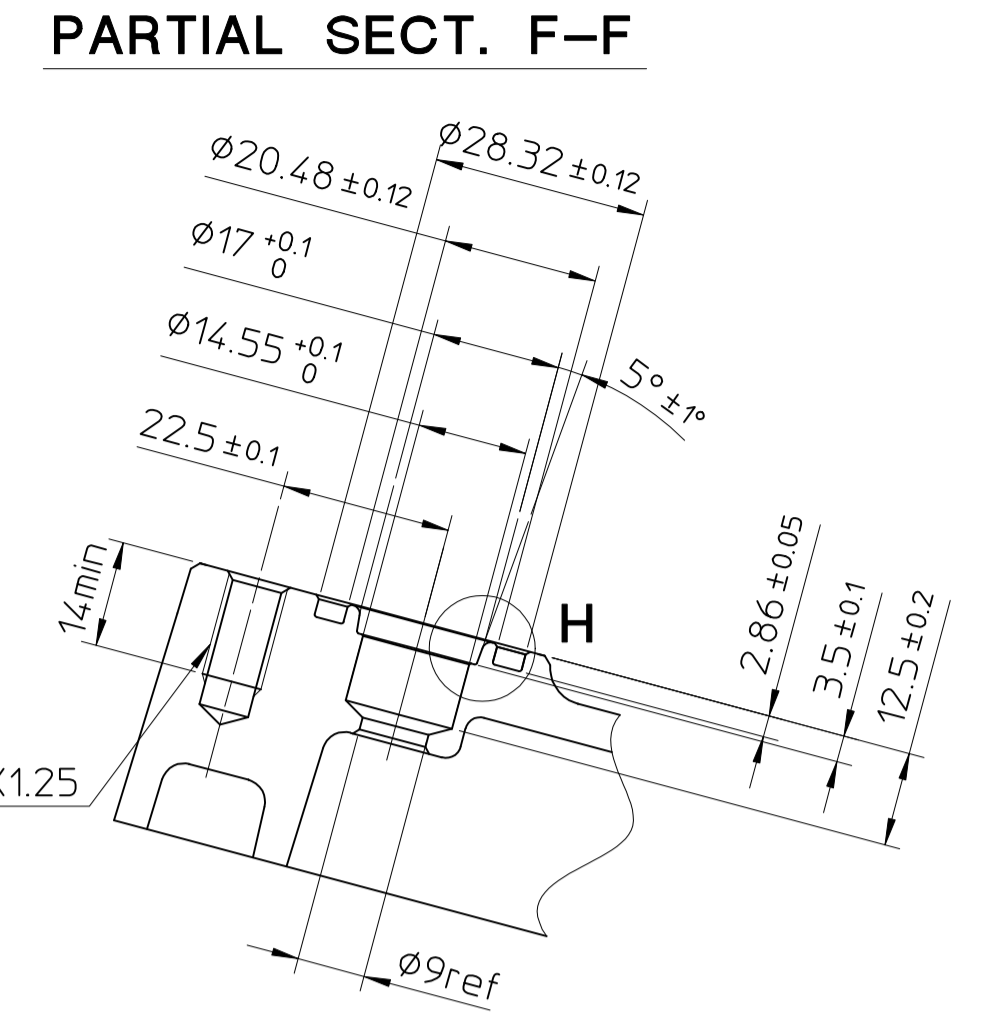
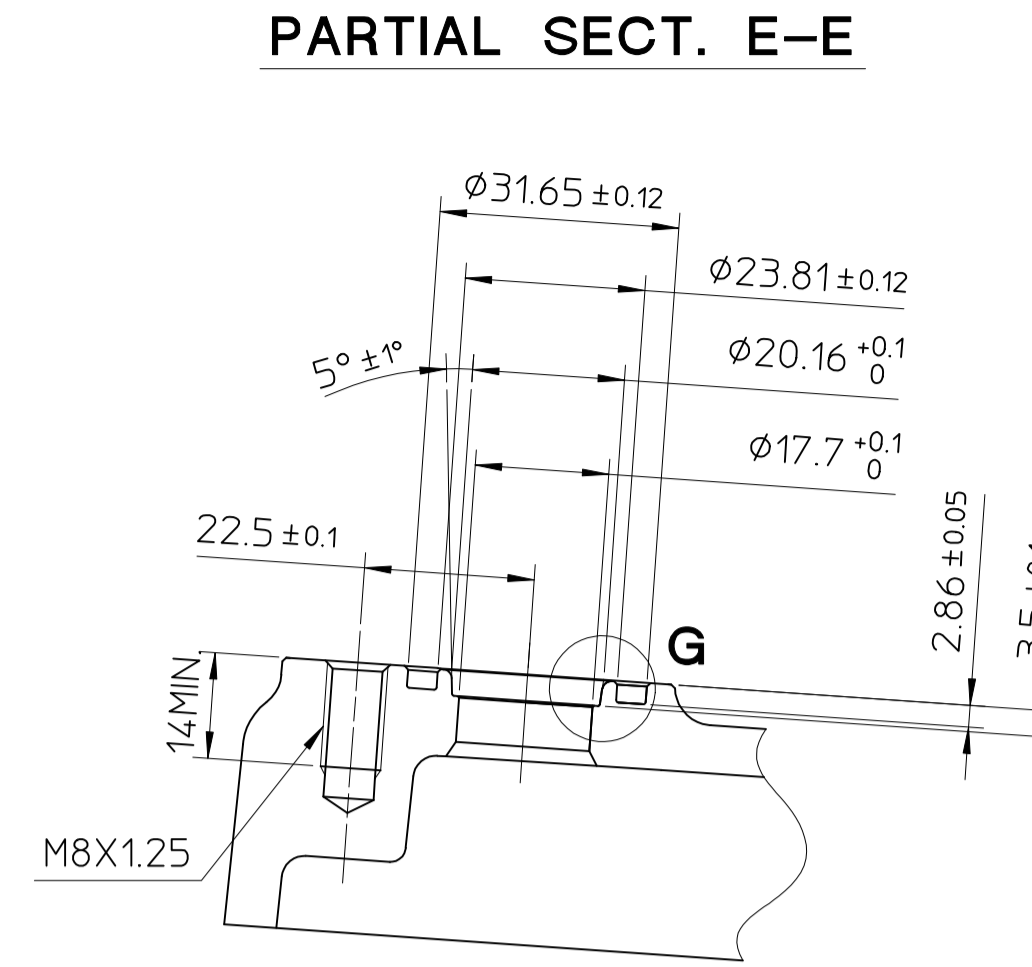
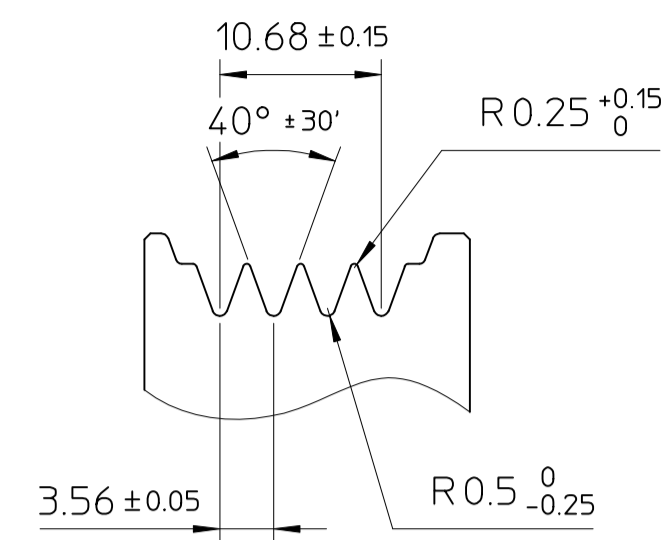
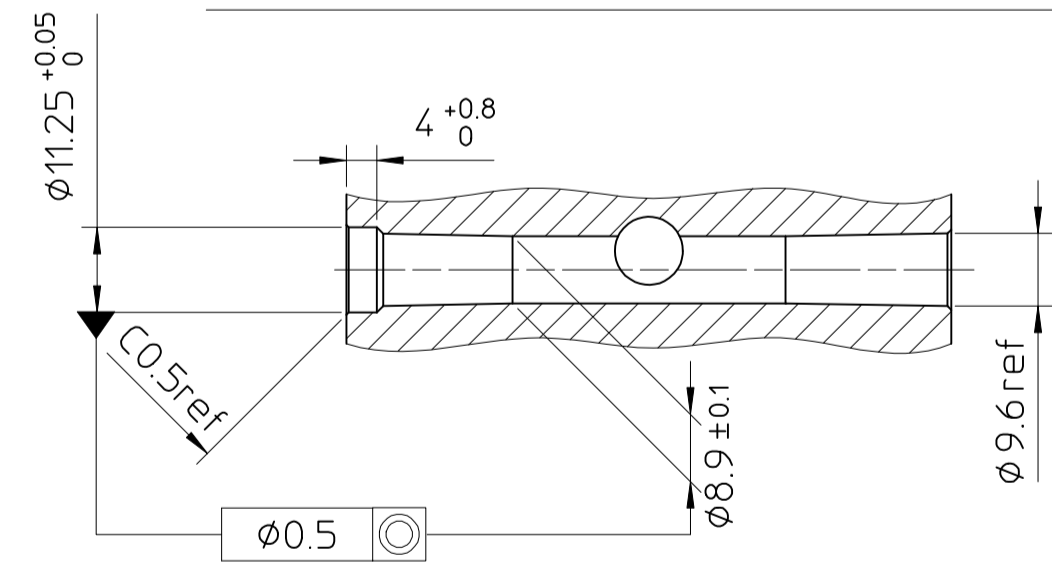


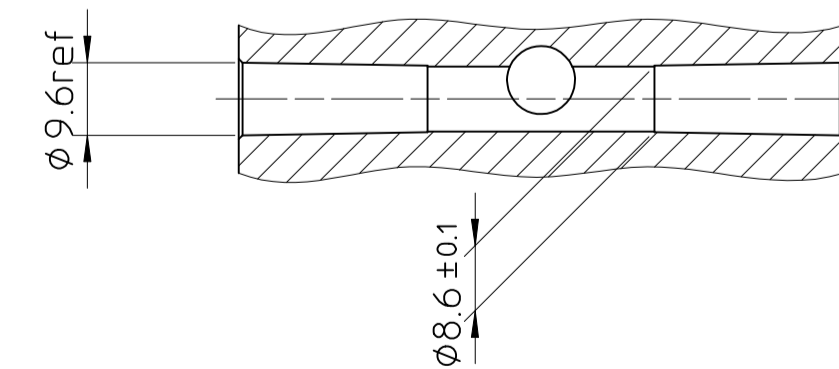
DETAIL OF ROTOR GROOVE (2:1)



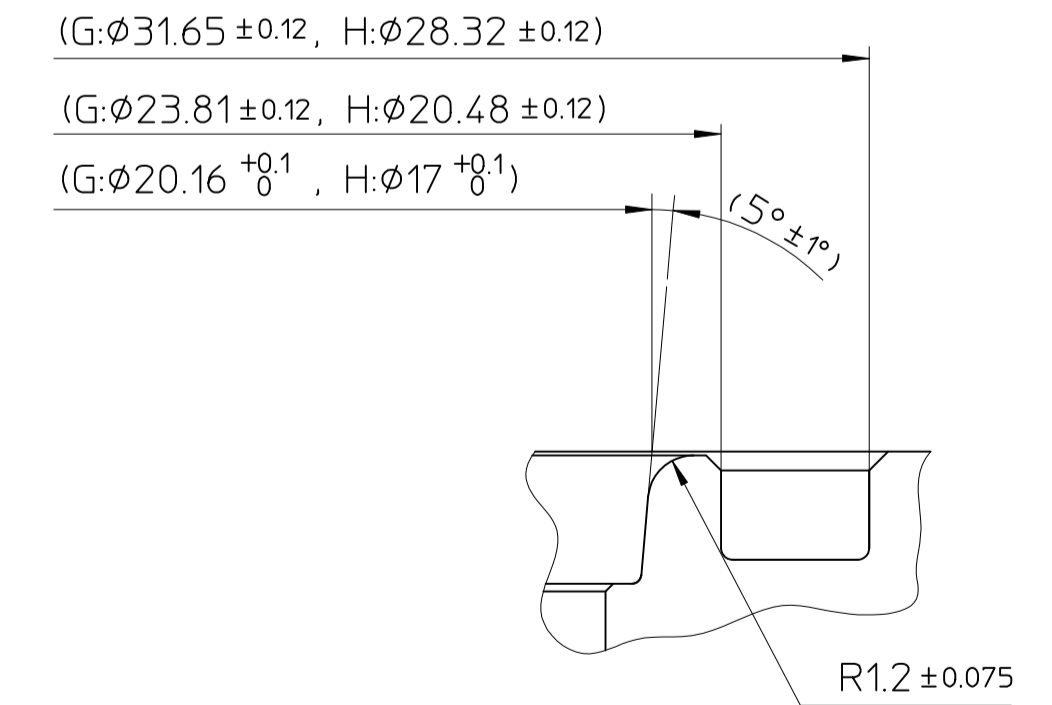
PARTIAL SECT. A-A / B-B



PARTIAL SECT. C-C / D-D



DETAIL OF G,H (5:1)



COMPRESSOR SPECIFICATIONS

BORE	Ø29.3	mm
STROKE	32.8	mm
NUMBER OF CYLINDERS	7	
DISPLACEMENT PER REVOLUTION	154.9	cm ³ /rev.
MAXIMUM ALLOWABLE CONTINUOUS SPEED	5000	r.p.m.
MAXIMUM DOWNSHIFT SPEED	5000	r.p.m.
REFRIGERANT	R134a	
OIL	SP-10 OR EQUIVALENT	
OIL CHARGE	200	cm ³
ROTATION (CLUTCH SIDE VIEW)	CLOCKWISE	
WEIGHT		kg

CLUTCH SPECIFICATIONS

RATED VOLTAGE	DC 12	V
MINIMUM BREAKAWAY TORQUE	34	N · m
MINIMUM ENGAGEMENT VOLTAGE	DC 7.5	V
MAXIMUM POWER CONSUMPTION	43	W
MAXIMUM ALLOWABLE CONTINUOUS SPEED	5000	r.p.m.
MAXIMUM DOWNSHIFT SPEED	5000	r.p.m.
BELT TYPE	PV	TYPE
PULLEY DIAMETER	Ø112	mm
WEIGHT		kg

NO.	REVISION RECORD	BY	DATE	MATERIAL	PART NO.	NAME	COMPRESSOR
				THIRD ANGLE PROJECTION	SCALE 1:1	MODEL	SD7H15WV8148
				DESIGNED BY H.Tanaka	DATE 30, Aug, 2002	DRAWING NO.	8148 - 6000
				CHECKED BY H.Kanou	DATE 30, Aug, 2002		
				APPROVED BY H.Azami	DATE 30, Aug, 2002		