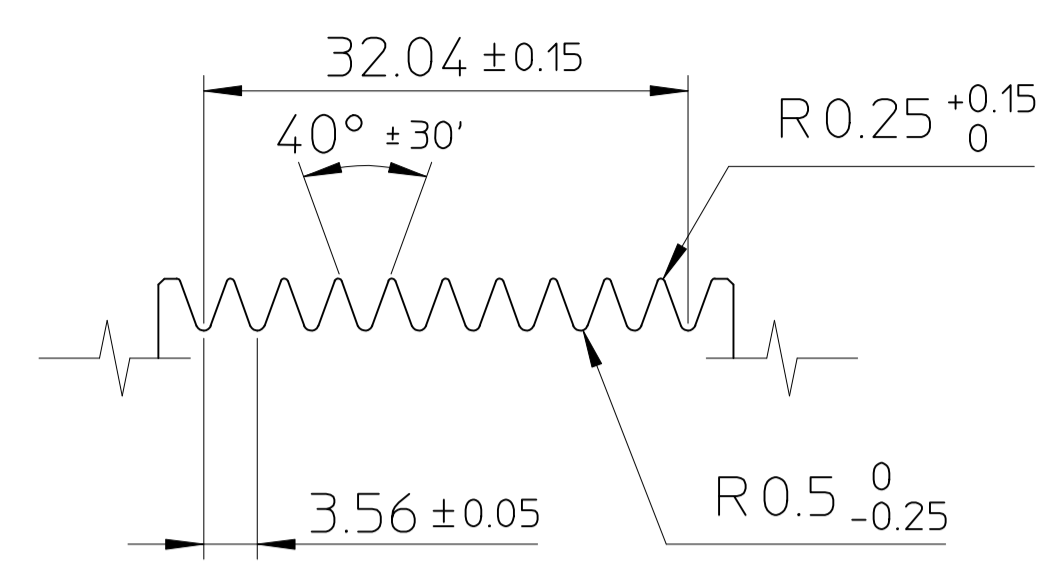
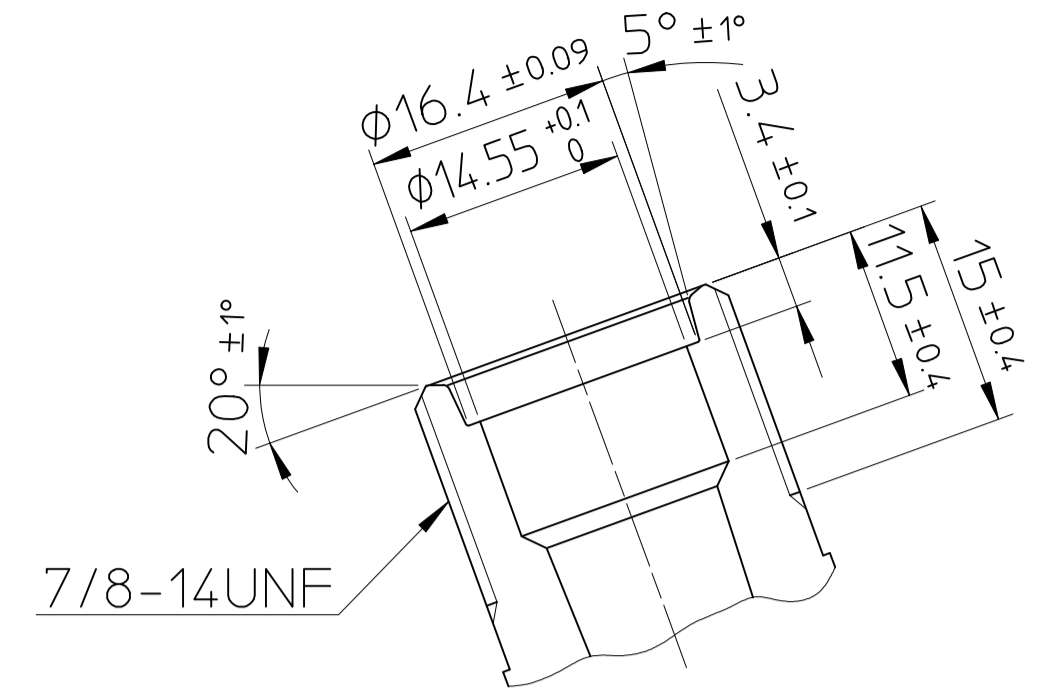


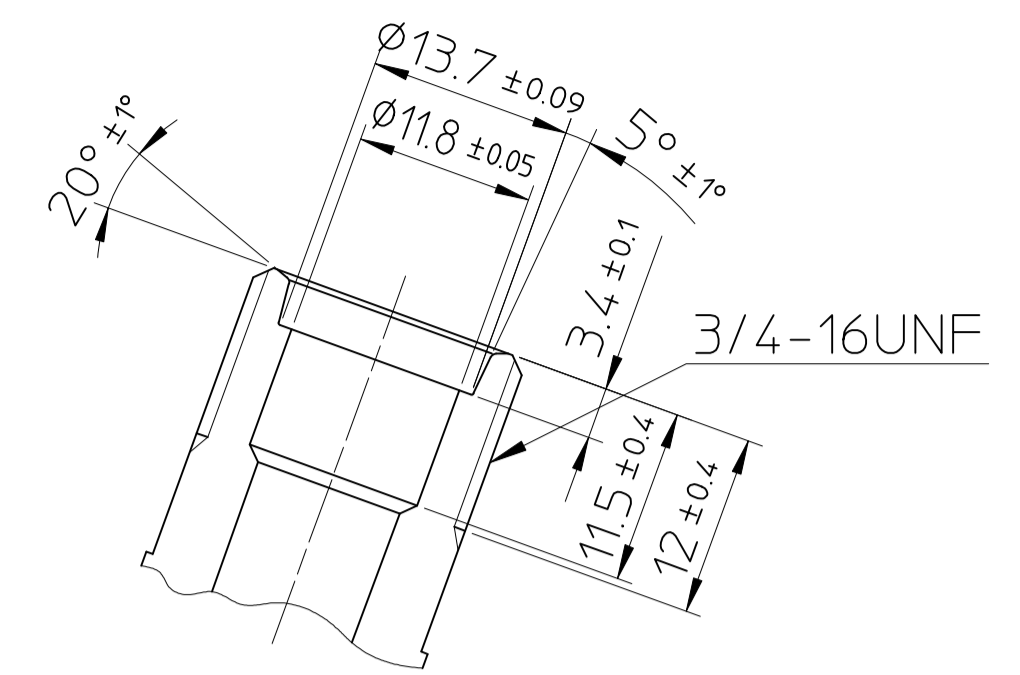
PARTIAL SECT. A-A



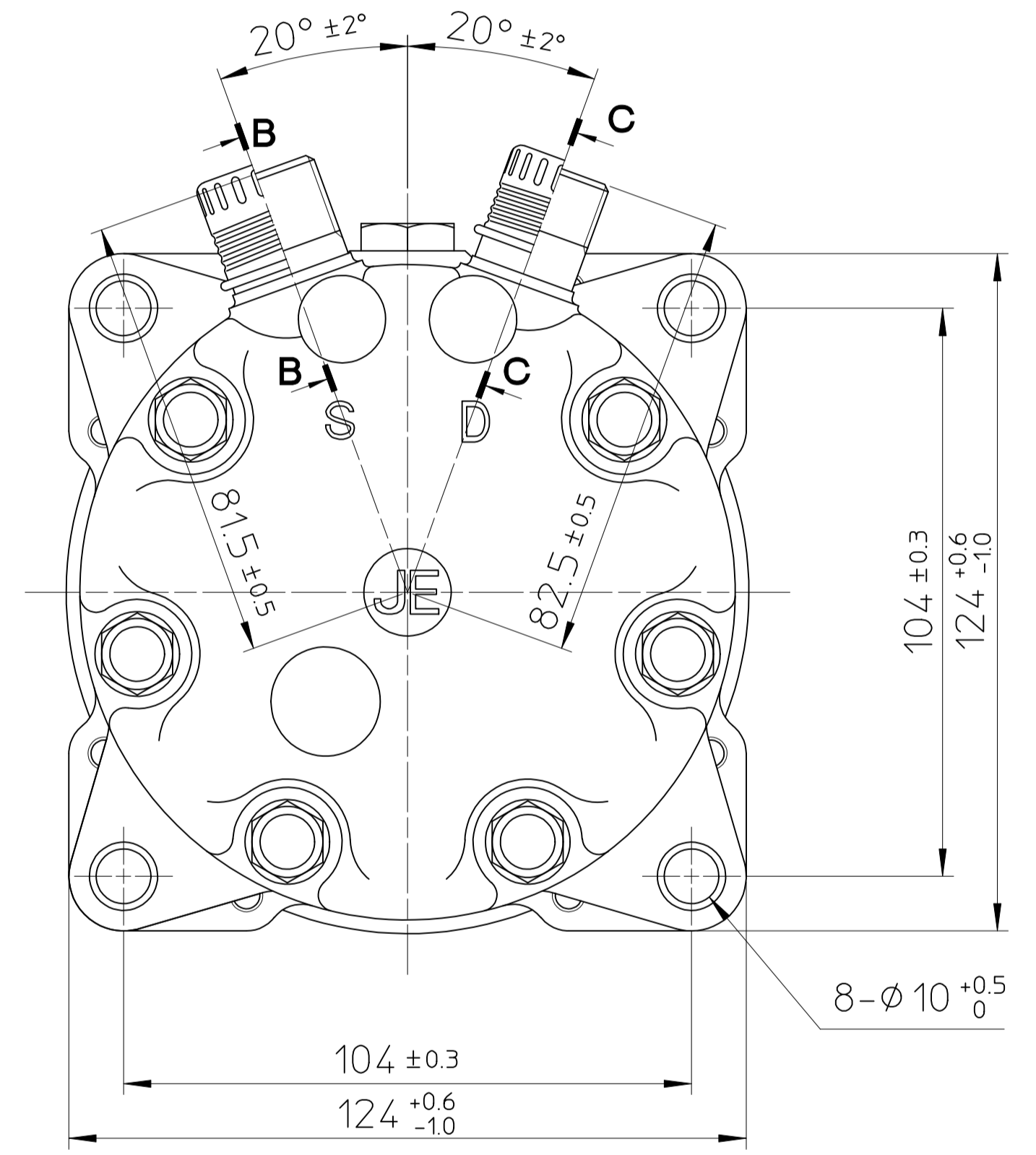
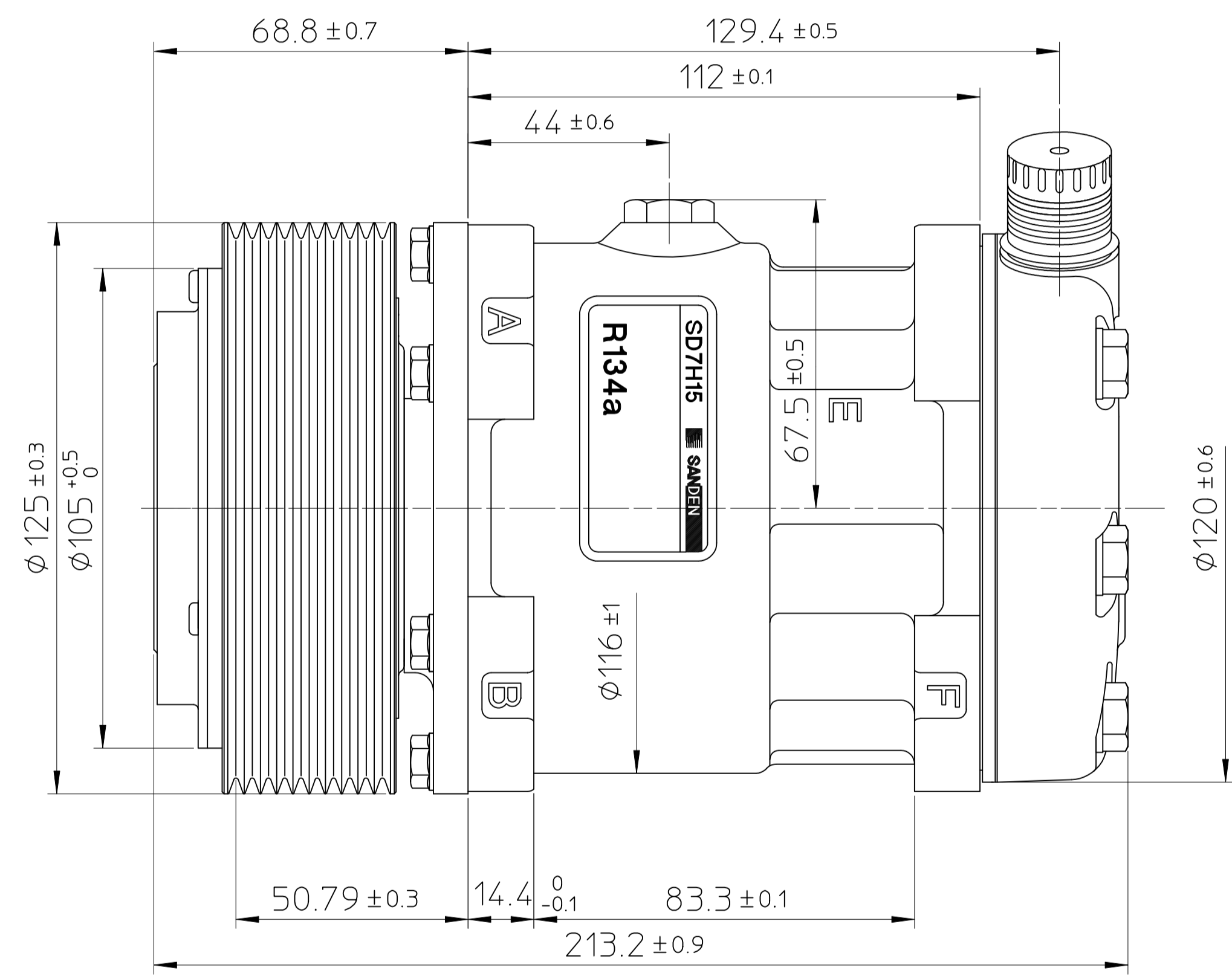
DETAIL OF ROTOR GROOVE (2:1)



PARTIAL SECT.B-B(2:1)



PARTIAL SECT.C-C(2:1)



COMPRESSOR SPECIFICATIONS

BORE	φ 29.3	mm
STROKE	32.8	mm
DISPLACEMENT PER REVOLUTION	154.9	cc/rev.
ROTATION	CLOCKWISE	
NUMBER OF CYLINDERS	7	
MAXIMUM ALLOWABLE r.p.m.	7000	r.p.m.
MAXIMUM ALLOWABLE CONTINUOUS r.p.m.	6000	r.p.m.
REFRIGERANT	R-134a	
OIL : SP-10 OR EQUIV.	135	cc
WEIGHT		kg

CLUTCH SPECIFICATIONS

RATED VOLTAGE	DC 12 V
BREAKAWAY TORQUE	3.5 kg-m
MINIMUM ENGAGEMENT VOLTAGE	7.5 V MAX.
POWER CONSUMPTION	43 W (CU)
MAXIMUM ALLOWABLE r.p.m.	7000 r.p.m.
MAXIMUM ALLOWABLE CONTINUOUS r.p.m.	6000 r.p.m.
BELT TYPE	PV TYPE
PULLEY DIAMETER	φ125 mm
WEIGHT	kg

NOTE LIMITATION OF BELT APPLICATION

DEPENDANT ON NUMBER OF BELTS, BELT WRAP AND BELT DIRECTION, THE LOAD ON PULLEY BEARING WILL VARY. THIS WILL AFFECT BEARING DURABILITY. CONSULT SANDEN FOR FURTHER INFORMATION.

NO.	REVISION RECORD	BY	DATE	MATERIAL	PART NO.	8035	NAME	COMPRESSOR
				THIRD ANGLE PROJECTION	SCALE	1 : 1		
				DESIGNED BY	DATE	6. Dec. 1996	MODEL	SD7H15JE8035
				CHECKED BY	DATE	9. Dec. 1996	DRAWING NO.	8035 - 6000
				APPROVED BY	DATE	9. Dec. 1996		