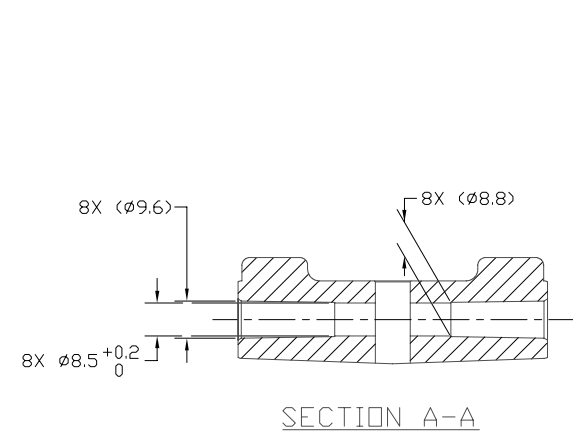
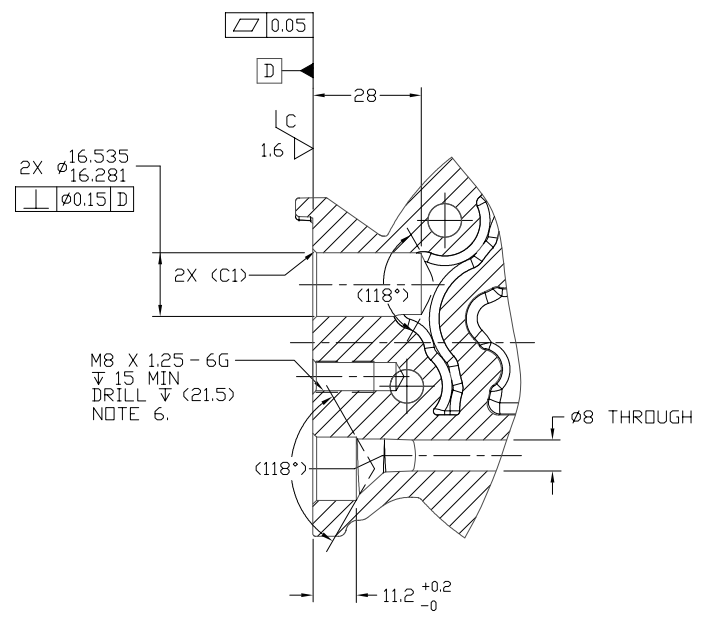


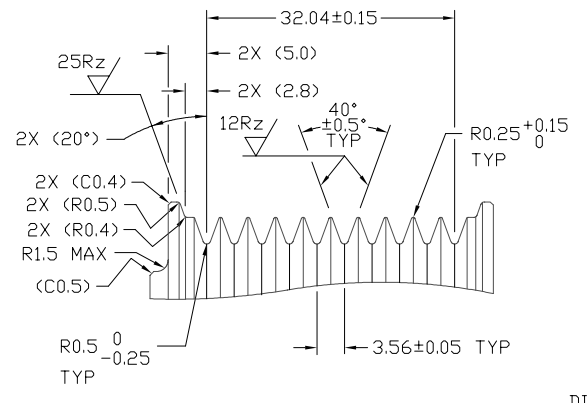
PDCN	REV.	APPV DATE	REVISIONS	DWN	DSGN	CHK	APPV
2006318	A	10/06/06	INITIAL ISSUE	RSR	AA	DRL	AA
			FIELD COIL PART NUMBER: 0432-6340 WAS 0432-6040				



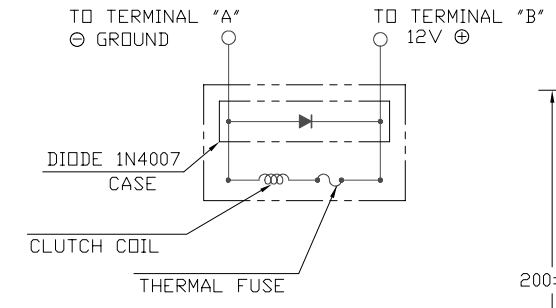
SECTION A-A



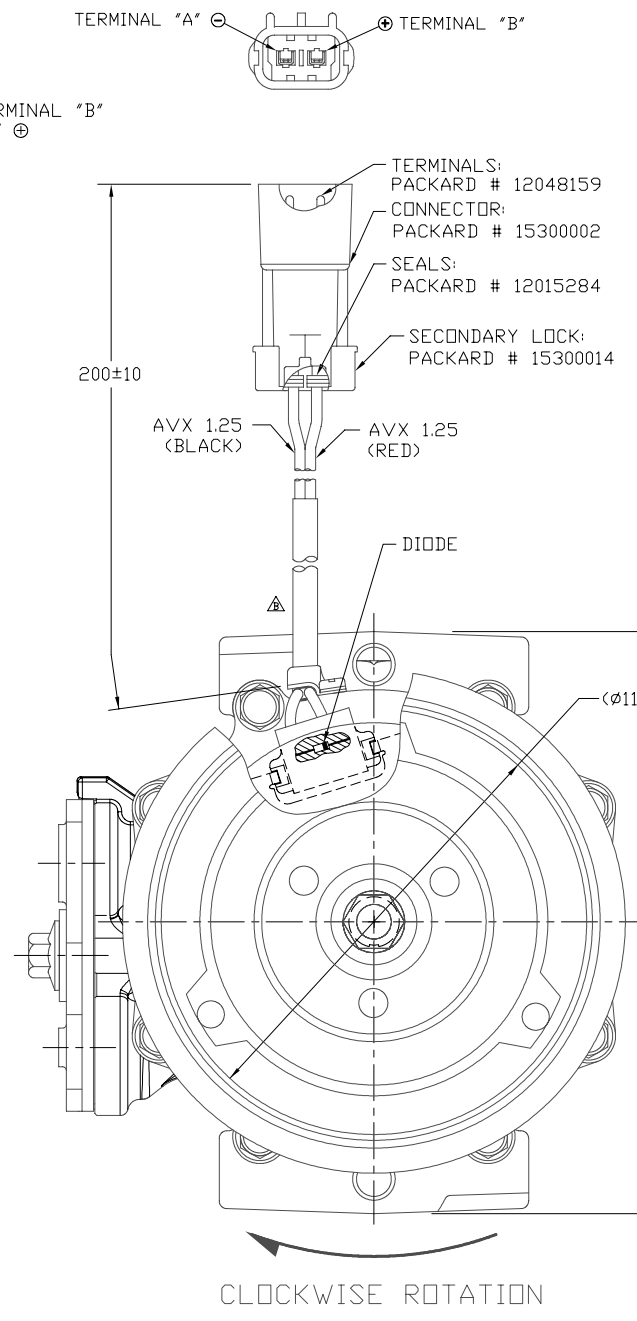
SECTION B-B
(SHIPPING PAD AND BOLT REMOVED)



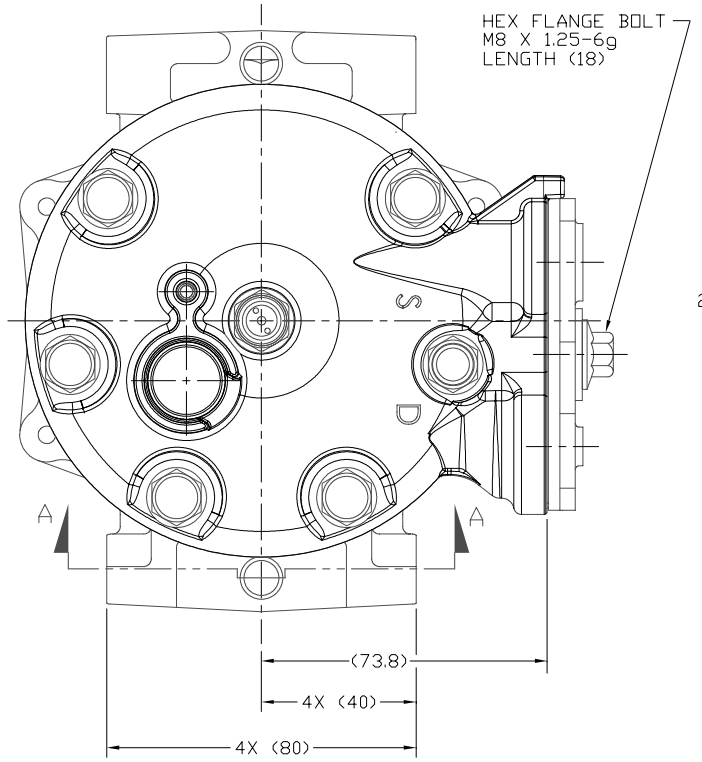
DETAIL C
SCALE 2:1



CIRCUIT DIAGRAM

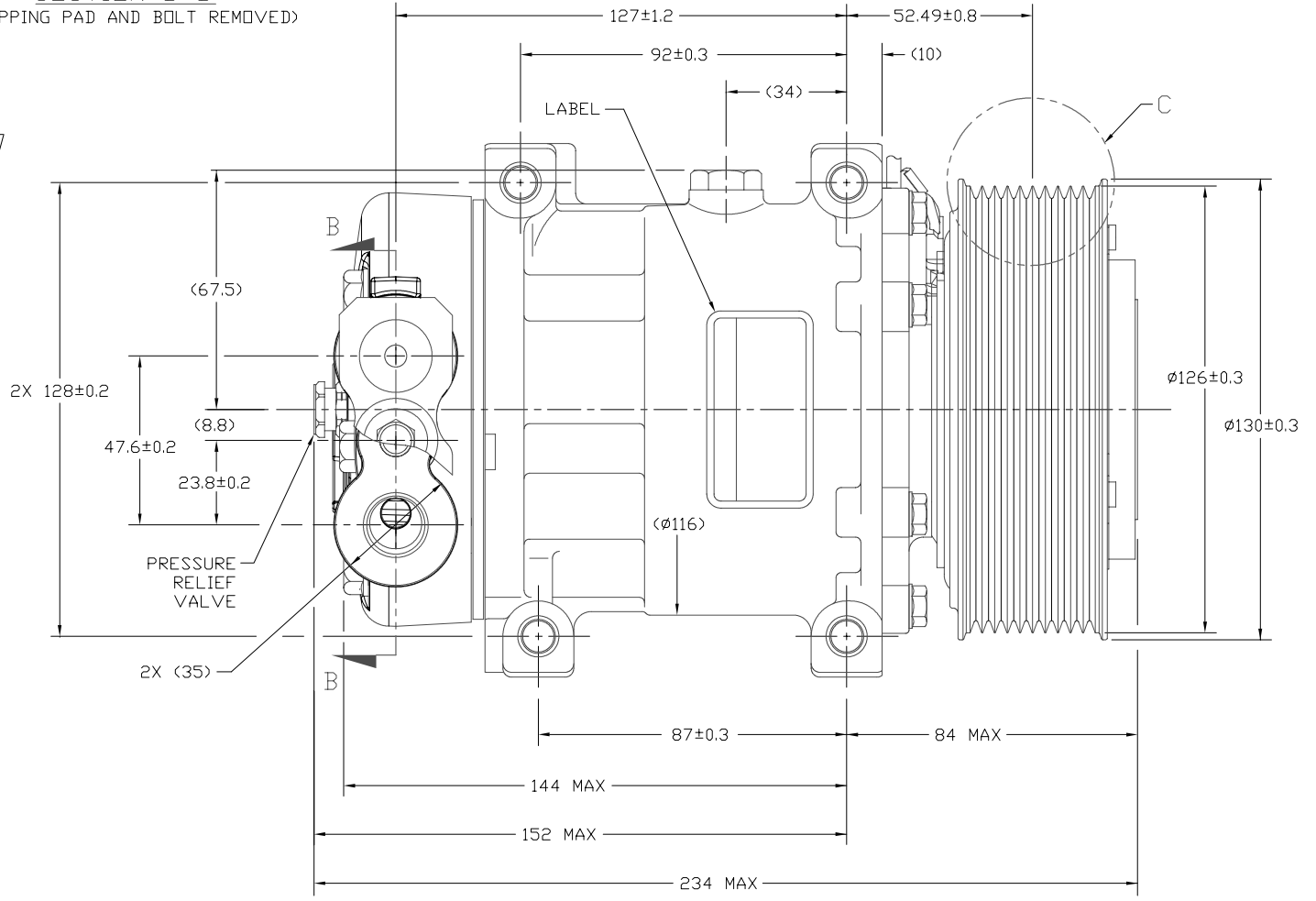


CLOCKWISE ROTATION



COMPRESSOR SPECIFICATIONS (REF)

DISPLACEMENT PER REVOLUTION	154.9 cc / rev. (9.5 cu.in. / rev.)
MAXIMUM ALLOWABLE R.P.M.	8000 R.P.M.
MAXIMUM ALLOWABLE CONTINUOUS R.P.M.	6000 R.P.M.
REFRIGERANT	R134a
OIL (SP-15)	300 cc (10.1 fl.oz.)



CLUTCH SPECIFICATIONS (REF)

RATED VOLTAGE	DC 12V
BREAKAWAY TORQUE	3.5 kgf-m min. @ 12V
MINIMUM ENGAGEMENT VOLTAGE	7.5V @ AIR GAP 0.6mm
POWER CONSUMPTION	49 watts max.
BELT TYPE	PV10 TYPE
MAXIMUM ALLOWABLE BELT TENSION	120 kgf
PULLEY DIAMETER	ø126 mm (4.96 in.)
CLUTCH TYPE	HEAVY DUTY

NOTE:
1. DIMENSIONS ARE TO VIRTUAL SHARP CORNERS UNLESS OTHERWISE SPECIFIED.

DO NOT SCALE

REV. LEVEL	RELEASED FOR: ENG'G DEVELOPMENT	<p>SANDEN INTERNATIONAL (U.S.A.), INC.</p>	<p>DRAWN SCALE REF 1:1 PLOTTED SCALE REF 1:1 METRIC</p>
DSGN	Shilpa Nagaraj		
DWN	R. Rodriguez	<p>This drawing and the information contained hereon are CONFIDENTIAL and PROPRIETARY to Sanden International (U.S.A.), Inc., are received in CONFIDENCE and shall not be used, copied, or disclosed to others without the written permission of Sanden International (U.S.A.), Inc.</p>	<p>INTERPRETATION OF THIS DRAWING PER ASME Y14.5M-1994</p>
CHK	N. B.		
APPV.	N. B.	<p>THIRD ANGLE PROJECTION</p>	<p>SIZE D</p>
APPV. DATE	08/08/06		
REV. LEVEL	RELEASED FOR: DESIGN VALIDATION	<p>MATERIAL: -</p>	<p>NAME: COMPRESSOR</p>
DSGN	C Wolff		
APPV.	EMA	<p>DWG. NO. 4804-6000</p>	<p>REV. B</p>
APPV. DATE	9/19/06		
REV. LEVEL	RELEASED FOR: PRODUCTION VAL'D.		
DSGN	C Wolff		
APPV.	EMA		
APPV. DATE	9/19/06		
REV. LEVEL	RELEASED FOR: PRODUCTION		
DSGN	C Wolff		
APPV.	EMA		
APPV. DATE	9/19/06		