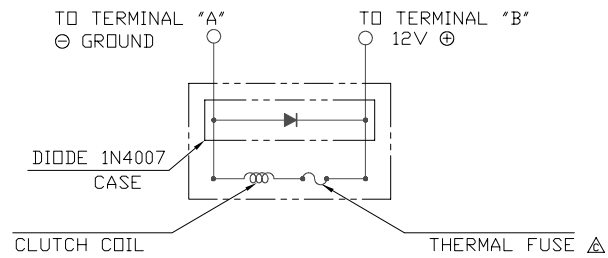
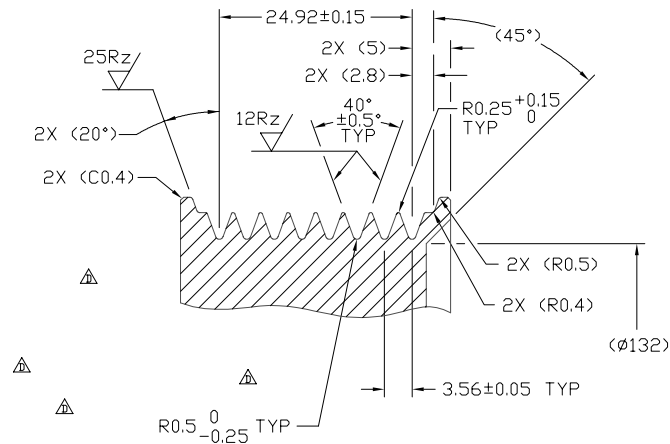


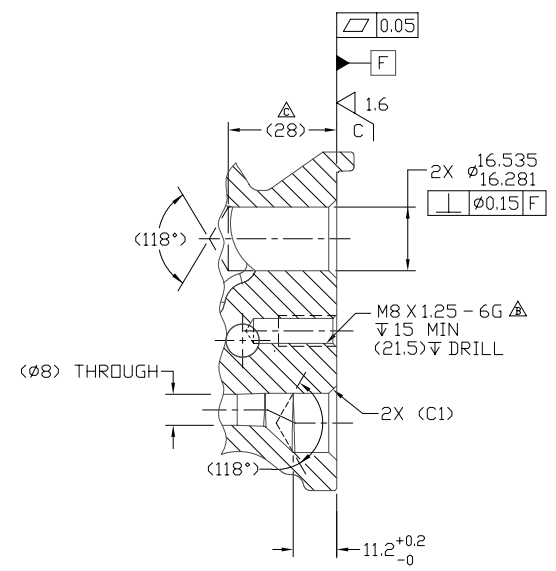
SECTION A-A



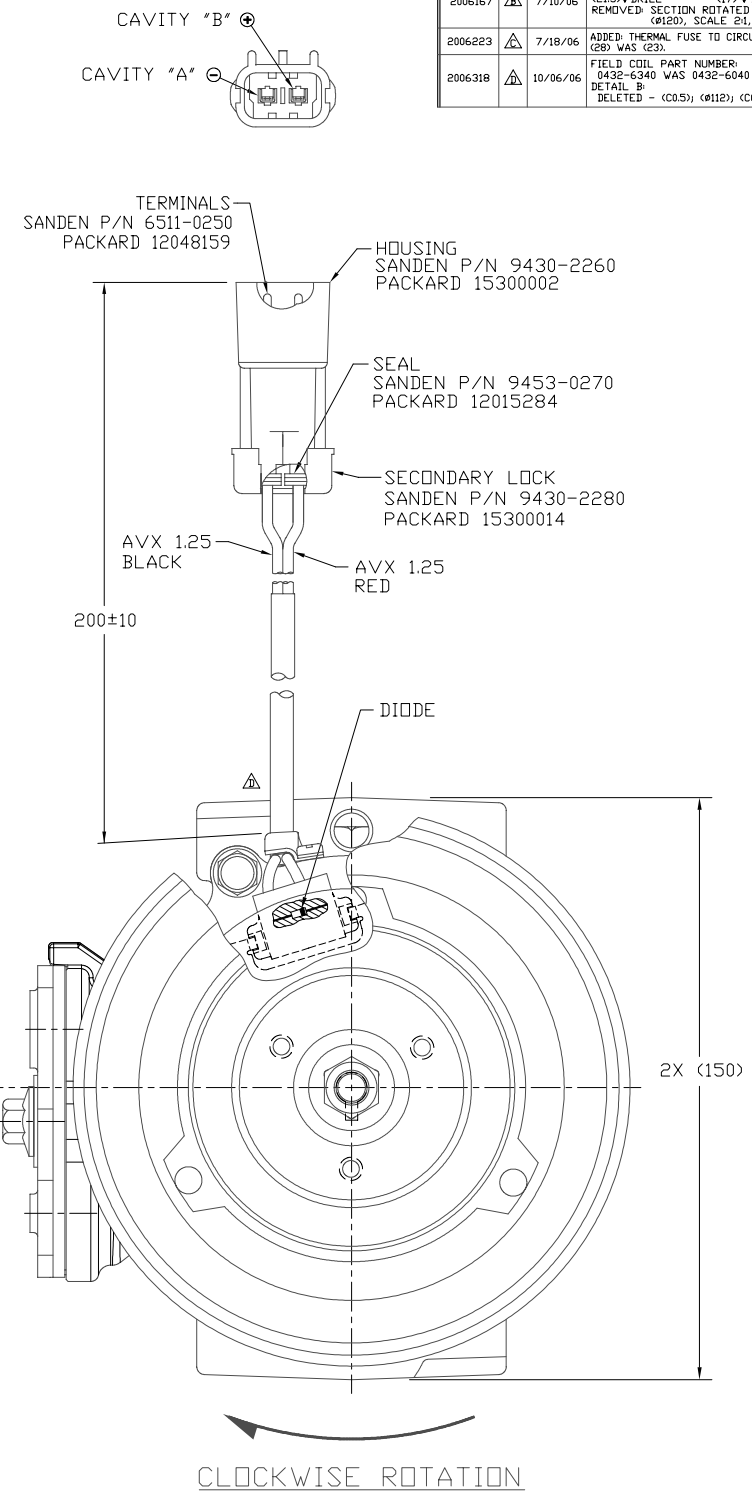
CIRCUIT DIAGRAM
(FOR REFERENCE)



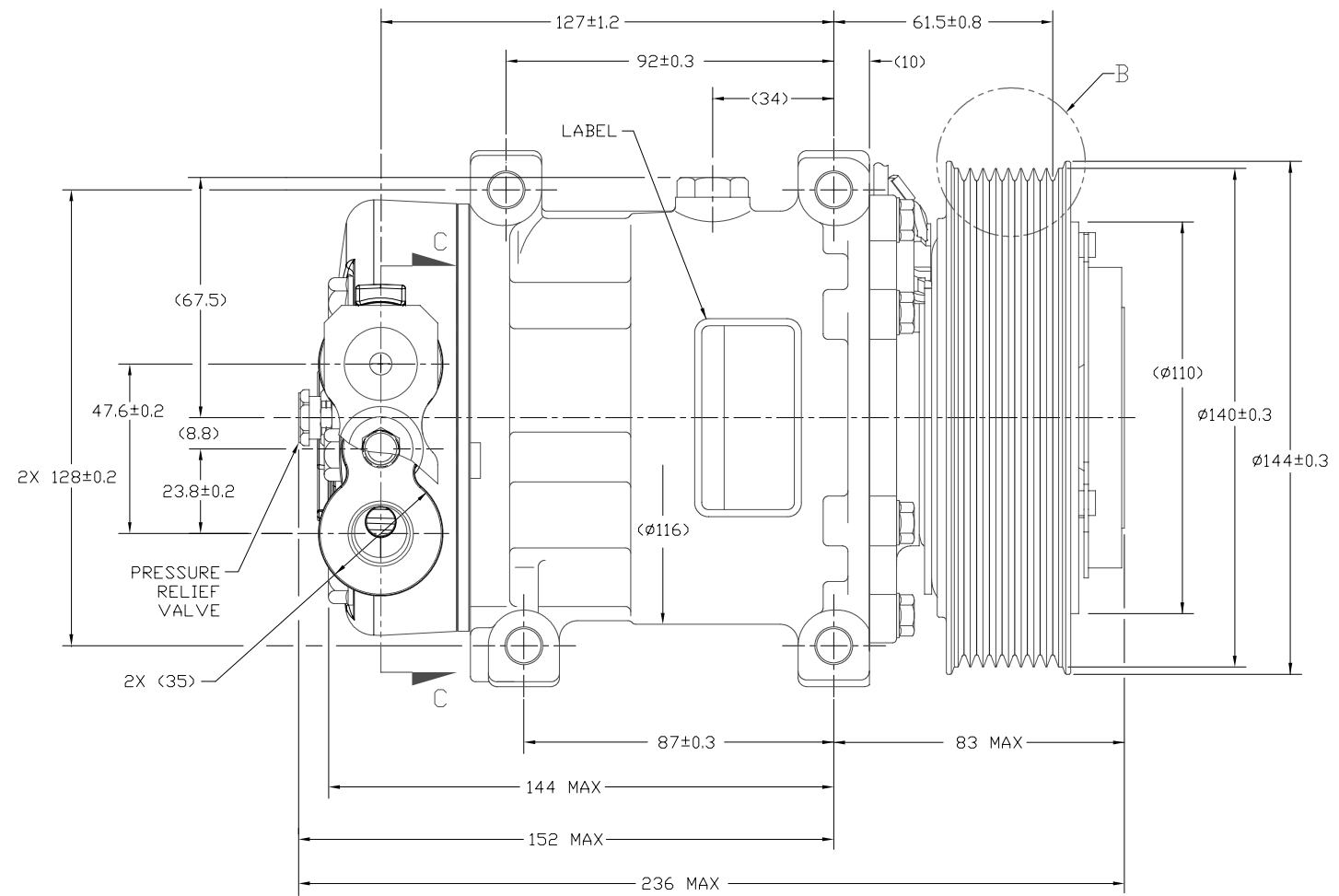
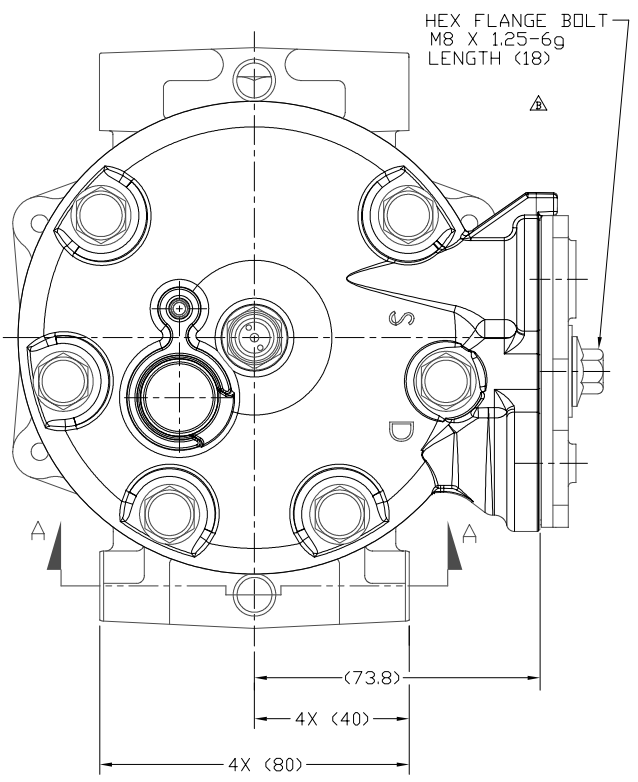
DETAIL B
SCALE 2:1



SECTION C-C
(SHIPPING PAD AND BOLT REMOVED)



CLOCKWISE ROTATION



COMPRESSOR SPECIFICATIONS (REF).

| | |
|-------------------------------------|--------------------------------------|
| DISPLACEMENT PER REVOLUTION | 154.9 cc / rev. (9.5cu.in. / rev.) |
| MAXIMUM ALLOWABLE R.P.M. | 6000 R.P.M. |
| MAXIMUM ALLOWABLE CONTINUOUS R.P.M. | 4000 R.P.M. |
| REFRIGERANT | R134a |
| OIL (SP-15) | 300 cc (10.1 fl.oz.) |

CLUTCH SPECIFICATIONS (REF).

| | |
|--------------------------------|----------------------|
| RATED VOLTAGE | DC 12V |
| BREAKAWAY TORQUE | 3.5 kgf-m min. @ 12V |
| MINIMUM ENGAGEMENT VOLTAGE | 7.5V @ AIR GAP 0.6mm |
| POWER CONSUMPTION | 49 watts max. |
| BELT TYPE | PV8 TYPE |
| MAXIMUM ALLOWABLE BELT TENSION | 120 kgf |
| PULLEY DIAMETER | ø140 mm (5.51 in.) |
| CLUTCH TYPE | HEAVY DUTY |

NOTE:
1. DIMENSIONS ARE TO VIRTUAL SHARP CORNERS UNLESS OTHERWISE SPECIFIED.

DO NOT SCALE

| | | | |
|------------|---------------------------------|--|--|
| REV. LEVEL | RELEASED FOR: ENG'G DEVELOPMENT | <p>SANDEN INTERNATIONAL (U.S.A.), INC.</p> | <p>DRAWN SCALE REF 1:1 PLOTTED SCALE REF 1:1 METRIC</p> |
| DSGN | Jeremy Bobb 2/7/06 | | |
| CHK | J Sokolowski | <p>This drawing and the information contained hereon are CONFIDENTIAL and PROPRIETARY to Sanden International (U.S.A.), Inc., are received in CONFIDENCE and shall not be used, copied, or disclosed to others without the written permission of Sanden International (U.S.A.), Inc.</p> | <p>INTERPRETATION OF THIS DRAWING PER ASME Y14.5M-1994</p> |
| APPV. | Dennis Lee 1/4/06 | | |
| APPV. DATE | NB 2/15/06 | <p>THIRD ANGLE PROJECTION</p> | <p>SIZE D</p> |
| REV. LEVEL | RELEASED FOR: DESIGN VALIDATION | | |
| DSGN | Shilpa Nagara 7/26/06 | <p>MATERIAL:</p> | <p>NAME</p> |
| APPV. | NB 7/6/06 | | |
| APPV. DATE | NB 7/6/06 | <p>COMPRESSOR</p> | <p>DWG. NO. 4802-6000</p> |
| REV. LEVEL | RELEASED FOR: PRODUCTION | | |
| DSGN | NB | <p>REV. D</p> | <p>REV. D</p> |
| APPV. | NB | | |
| APPV. DATE | NB | | |

| PDCN | REV. | APPV. DATE | REVISIONS | DWN | DSGN | CHK | APPV. |
|---------|------|------------|--|-----|------|-----|-------|
| | | | INITIAL ISSUE | | | | |
| 2006167 | Δ | 7/10/06 | M8 X 1.25 - 6G WAS 7.15 MIN (17) DRILL REMOVED SECTION ROTATED 90° CCW, (ø120), SCALE 2:1, NOTE 2. | JS | SN | DRL | RM |
| 2006223 | Δ | 7/18/06 | ADDED THERMAL FUSE TO CIRCUIT DIAGRAM (28) WAS (23). | JS | SN | DRL | RM |
| 2006318 | Δ | 10/06/06 | FIELD COIL PART NUMBER: 0432-6340 WAS 0432-6040 DETAIL B DELETED - (C0.5), (ø112), (C0.4), R1 MAX | RSR | AA | DRL | AA |