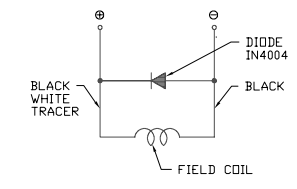
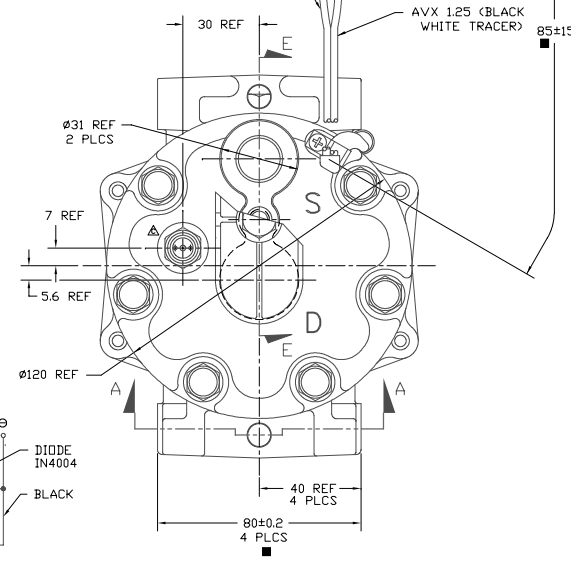
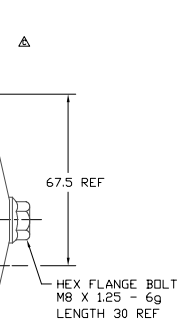
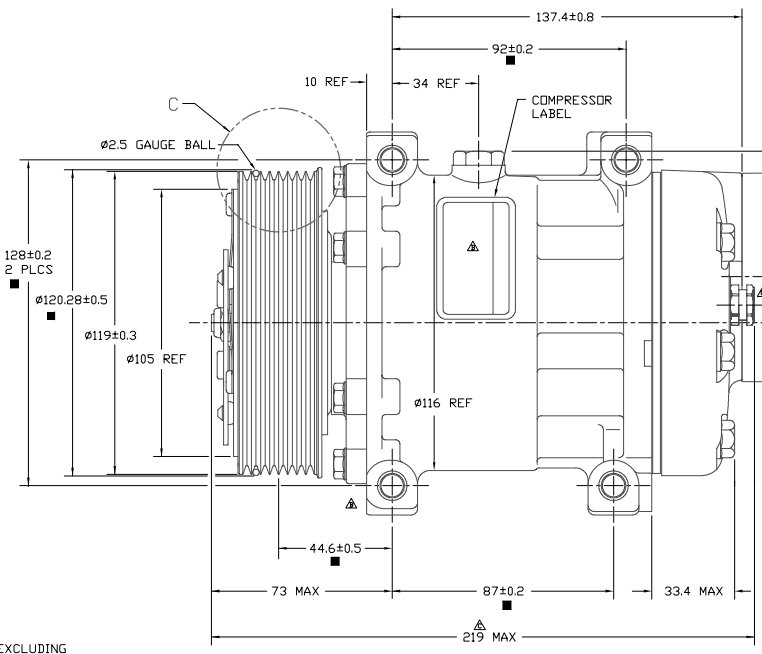
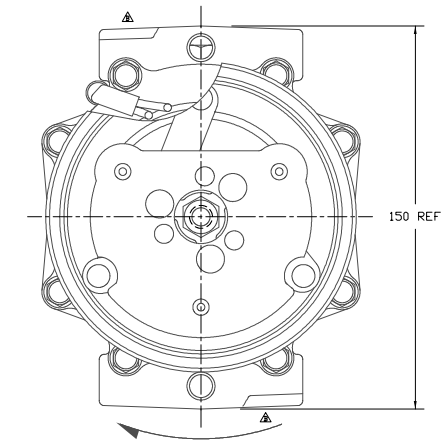
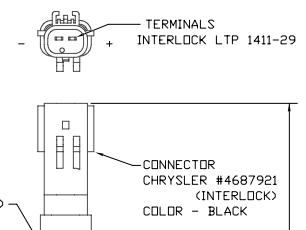


PCSN	REV	APPV DATE	REVISIONS	DWN	ESGN	CHK	APPV
			INITIAL RELEASE				
99265	99264	8/20/99	ADDED IN DR MOUNTING HOLES EDGES; ADDED DIODE CIRCUIT DIAGRAM; ADD JAPAN DATE CODE IN LABEL AND CAST FRONT HSG IDENTIFICATION HOLE. CUSTOMER P/N 55055339AE REV.B WAS 55055339AE REV.A	JW	PTL	BRG	OTIA
99007	2000084	10/21/00	USE NEW SIA DRAWING BORDER. PRV 4907-6470 WAS 4603-6470. DFN MAX WAS 22.9 MAX. DELETED 22.9 MAX AND 26.74 MAX.	JW	JP	BRG	SB
8882889		3/3/06	UPDATED DISCHARGE DRIFTE DIAMETER	JB	JB	DRL	JW NB



- NOTE:
1. COMPRESSOR BARCODE (4682-5700) AND CUSTOMER P/N (55055339AE REV. B) REQUIRED ON PALLET SLEEVE.
 2. COMPRESSOR MUST CONFORM TO CHRYS. STD. PF8758 REV. D EXCLUDING CORROSION STD. WHICH MUST CONFORM TO SANDEN STD. SIA - ES 2002 REV. B.
 3. NITROGEN HOLDING CHARGE DELETED.

COMPRESSOR SPECIFICATIONS (REF)

DISPLACEMENT PER REVOLUTION	154.9 cc / rev. (9.5cuin. / rev.)
MAXIMUM ALLOWABLE R.P.M.	8000 R.P.M.
MAXIMUM ALLOWABLE CONTINUOUS R.P.M.	6000 R.P.M.
REFRIGERANT	R134a
◇ OIL (SP-20)	210 cc ±10 cc (7.1 floz.)
◇ WEIGHT	6.9 kg (15.1 lb.)
△ CUSTOMER PART NUMBER	55055339AE REV. B
◇ PRV OPENING PRESSURE RANGE	500-600 PSIG (35.2-42.2 kg/cm ² G)

CLUTCH SPECIFICATIONS (REF)

RATED VOLTAGE	DC 12V
BREAKAWAY TORQUE	3.5 kgf·m min. @ 12V
◇ MINIMUM ENGAGEMENT VOLTAGE	7.5V max @ AIR GAP 0.6mm
◇ POWER CONSUMPTION	49 watts max.
BELT TYPE	PV8 TYPE
◇ MAXIMUM ALLOWABLE BELT TENSION	120 kgf
◇ PULLEY DIAMETER	Ø119mm (4.69 in.)
◇ CLUTCH TYPE	STANDARD

SPECIAL CHARACTERISTICS		SANDEN	CHRYSLER
■ DR <C>	<P>	NON-SAFETY/REGULATORY SPECIAL CHARACTERISTICS WHERE VERIFICATION IS REQUIRED, BUT ONGOING PROCESS CONTROL IS NOT REQUIRED	
◇ DR <R>	<D>	NON-SAFETY/REGULATORY SPECIAL CHARACTERISTICS WHICH DEMAND MANDATORY PROCESS CONTROL FOR VERIFICATION	
▼ DR <S>	<S>	SAFETY/EMISSIONS/NOISE/THEFT PROTECTION	

DO NOT SCALE

RELEASED FOR DESIGN DEVELOPMENT	DATE: 2/17/99	DESIGN: J. P. ...
DESIGN VAL. DATE: 2/17/99	DESIGN: J. P. ...	DESIGN: J. P. ...
PRODUCTION VAL. DATE: 2/17/99	PRODUCTION: J. P. ...	PRODUCTION: J. P. ...
DATE: 2/17/99	DATE: 2/17/99	DATE: 2/17/99
DATE: 2/17/99	DATE: 2/17/99	DATE: 2/17/99
DATE: 2/17/99	DATE: 2/17/99	DATE: 2/17/99
DATE: 2/17/99	DATE: 2/17/99	DATE: 2/17/99

SANDEN
SANDEN INTERNATIONAL CORPORATION, INC.

SCALE: REF 1:1 PLOTTED SCALE: REF 1:1 METRIC

This drawing and the information contained herein are CONFIDENTIAL and PROPRIETARY to Sanden International (U.S.A.), Inc. and shall be used, copied, or disclosed to others without the written permission of Sanden International (U.S.A.), Inc.

INTERPRETATION OF THIS DRAWING PER ASME Y14.5M-1994

THIRD ANGLE PROJECTION

MATERIAL:

NAME: COMPRESSOR

DWG. NO: 4775-6000

REV. D