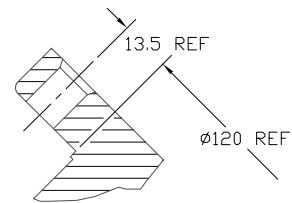
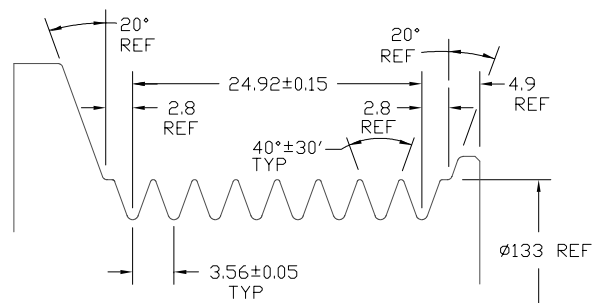


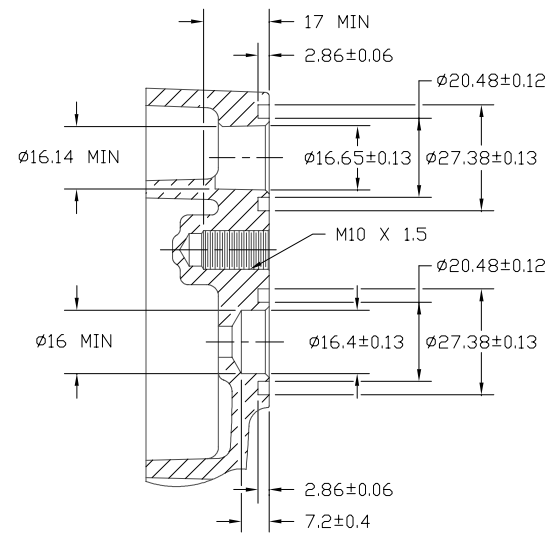
MOUNTING WINDOW



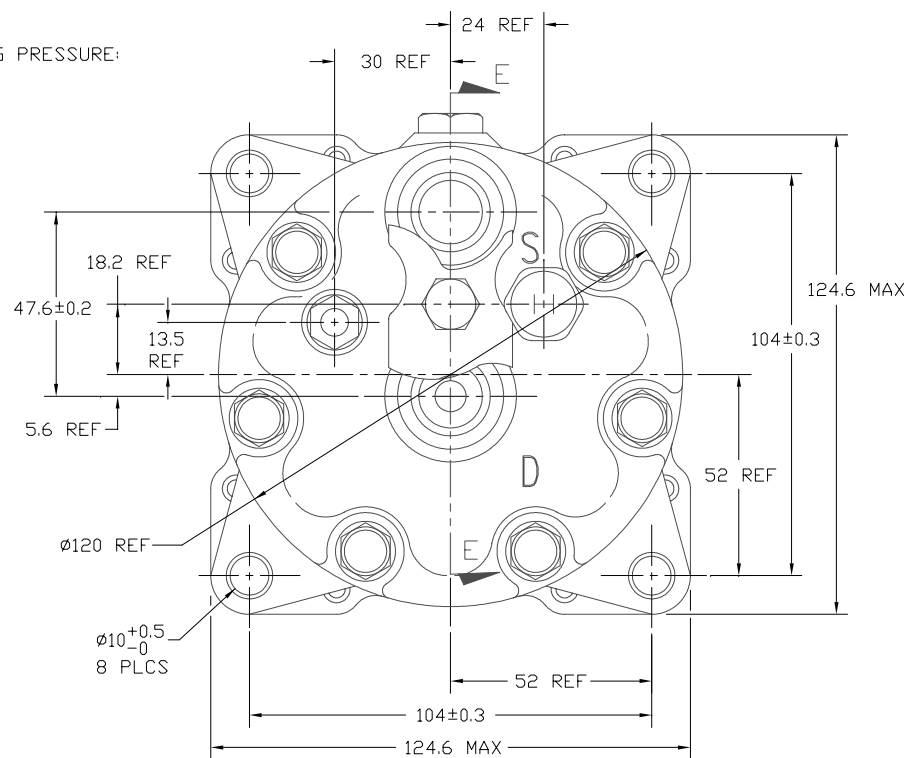
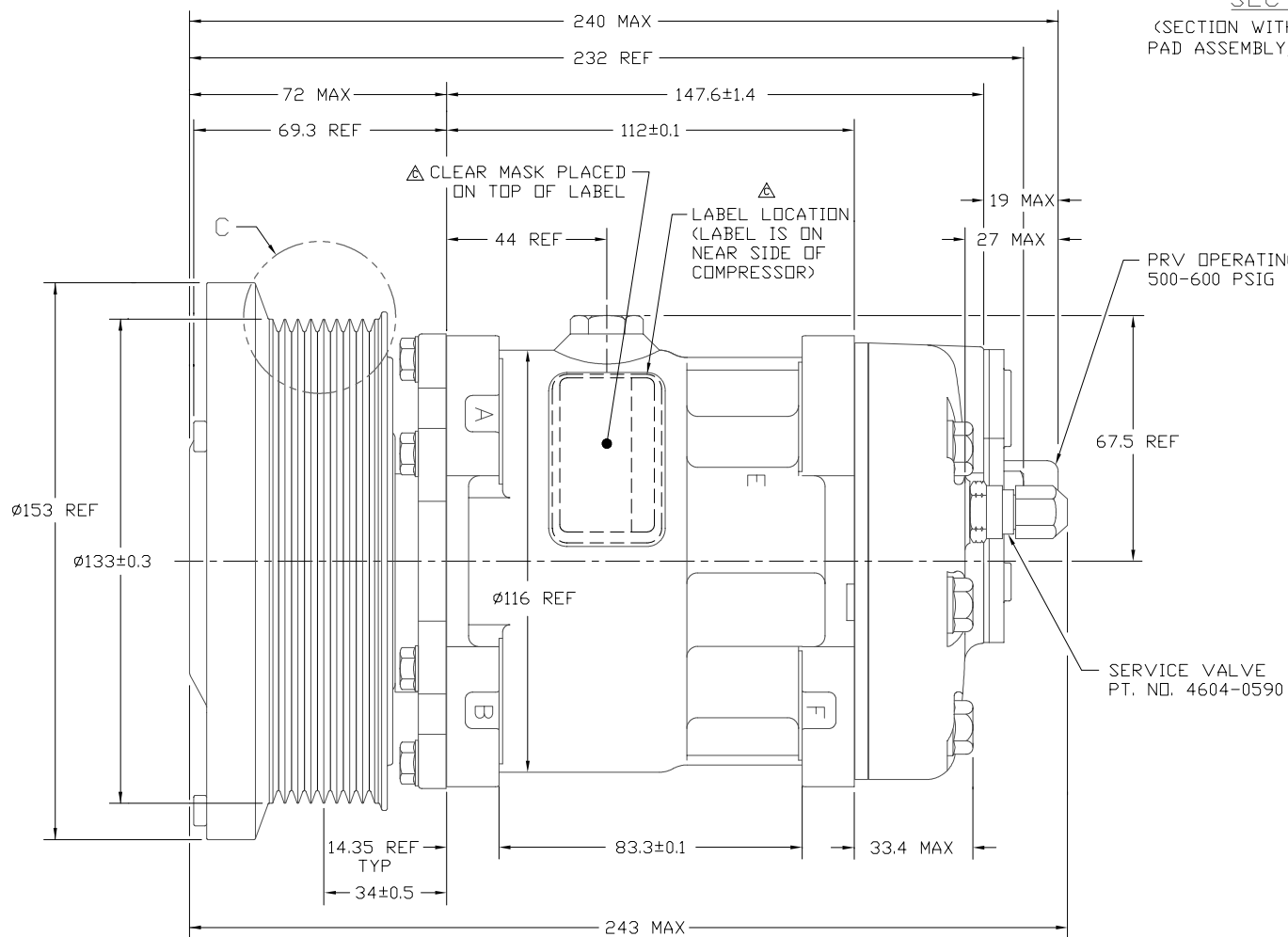
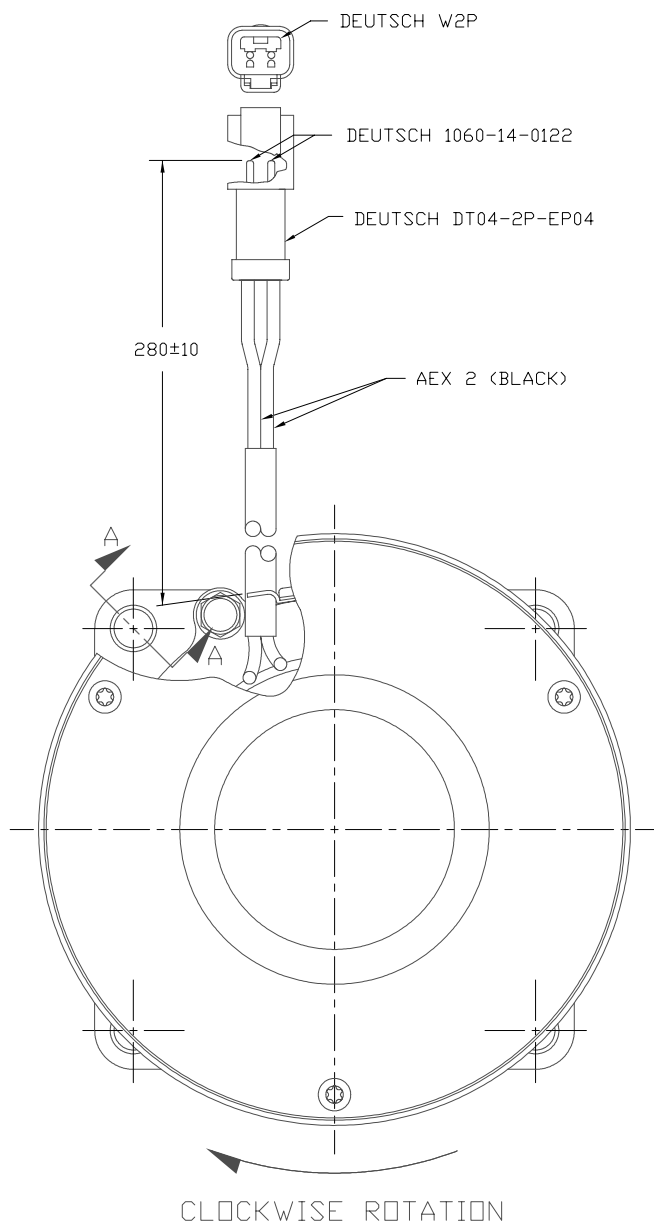
SECTION A-A



DETAIL C
SCALE: 3:1



SECTION E-E
(SECTION WITH O-RINGS, SHIPPING PAD ASSEMBLY, AND BOLT REMOVED)



PCDN	REV	APPV DATE	REVISIONS	DWN	DSGN	CHK	APPV
	1		INITIAL RELEASE				
98007	A	1/27/98	ADDED CUSTOMER PART NO. 151-5270	RH	DKS	DRL	EMA
538	A	1/29/98	CONVERTED TO HARD NO. WAS ABR7-6000 RELEASED FOR VALIDATION	RH	DKS	DRL	EMA
2001340	A	11/1/01	OIL SP-15 WAS SP-20	JS	LK	DRL	MY
2006233	A	09/21/06	ADDED: LABEL LOCATION (LABEL IS ON NEAR SIDE OF COMPRESSOR); CLEAR MASK PLACED ON TOP OF LABEL	RSR	MK	DRL	EMA

COMPRESSOR SPECIFICATIONS (REF)

DISPLACEMENT PER REVOLUTION	154.9 cc / rev. (9.5cu.in. / rev.)
MAXIMUM ALLOWABLE R.P.M.	4000 R.P.M.
MAXIMUM ALLOWABLE CONTINUOUS R.P.M.	4000 R.P.M.
REFRIGERANT	R134a
OIL (SP-15)	300 cc (10.1 fl.oz.)
WEIGHT	9.0 kg (19.7 lb.)
CUSTOMER PART NUMBER	151-5270

CLUTCH SPECIFICATIONS (REF)

RATED VOLTAGE	DC 12V
BREAKAWAY TORQUE	3.5 kgf-m min. @ 12V
MINIMUM ENGAGEMENT VOLTAGE	7.5V @ AIR GAP 0.6mm
POWER CONSUMPTION	42 watts max.
BELT TYPE	PV8 TYPE
MAXIMUM ALLOWABLE BELT TENSION	120 kgf
PULLEY DIAMETER	phi 133mm (5.2 in.)
CLUTCH TYPE	SEALED HEAVY DUTY

REV. LEVEL	RELEASED FOR: ENGG. DEVELOPMENT	<p>SANDEN INTERNATIONAL (U.S.A.), INC.</p>
DSGN	Chiam K. 7/21/97	
DWN	Robert Hughes	<p>SCALE REF 1:1 PLOTTED SCALE REF 1:1 METRIC</p> <p>This drawing and the information contained hereon are CONFIDENTIAL and PROPRIETARY to Sanden International (U.S.A.), Inc., and shall not be used, copied, or disclosed to others without the written permission of Sanden International (U.S.A.), Inc.</p>
CHK	Dennis Lee 7/19/97	
APPV.	D. Dobbs T. Sato	<p>INTERPRETATION OF THIS DRAWING PER ASME Y14.5M-1994</p> <p>THIRD ANGLE PROJECTION</p>
DATE	7/21/97	
REV. LEVEL	RELEASED FOR: DESIGN VALIDATION	<p>MATERIAL:</p>
DSGN	Chiam K. 7/21/97	
APPV.	D. Dobbs T. Sato	<p>NAME</p> <p>COMPRESSOR</p>
DATE	7/21/97	
REV. LEVEL	RELEASED FOR: PRODUCTION VAL'D.	<p>DWG. NO.</p> <p>4737-6000</p>
DSGN	Chiam K. 7/21/97	
APPV.	D. Dobbs T. Sato	<p>REV</p> <p>C</p>
DATE	7/21/97	

DO NOT SCALE