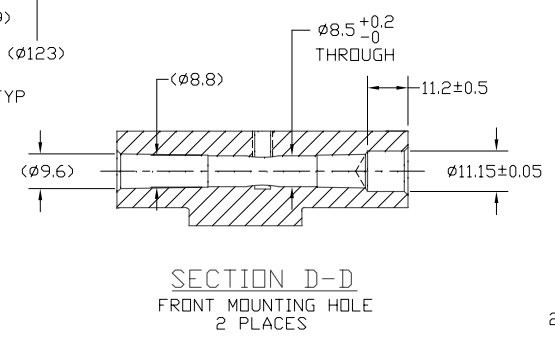
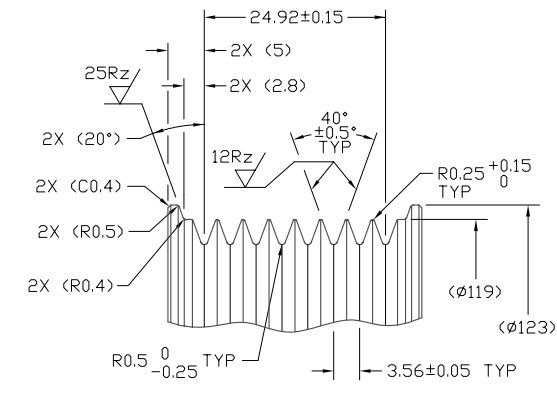
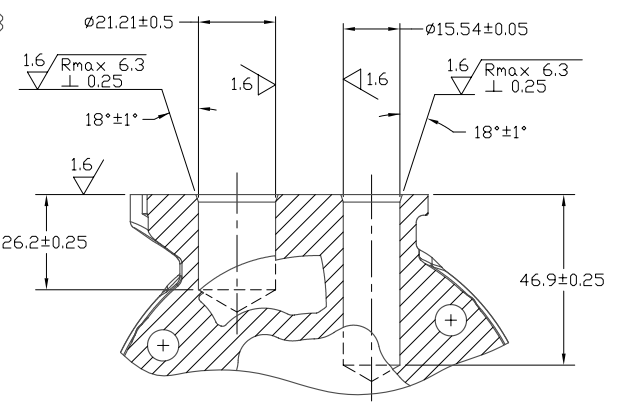
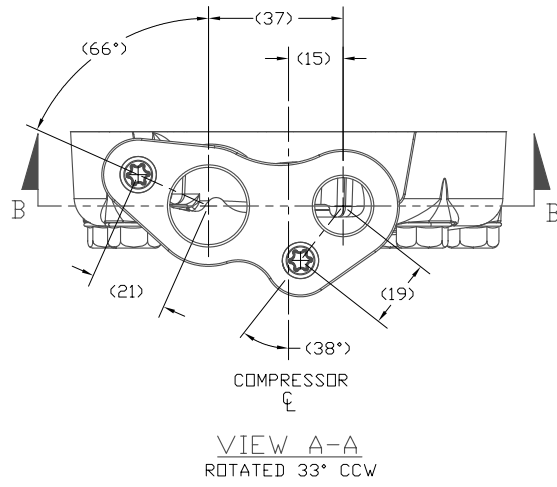
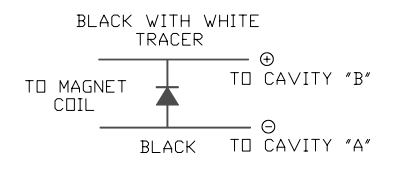
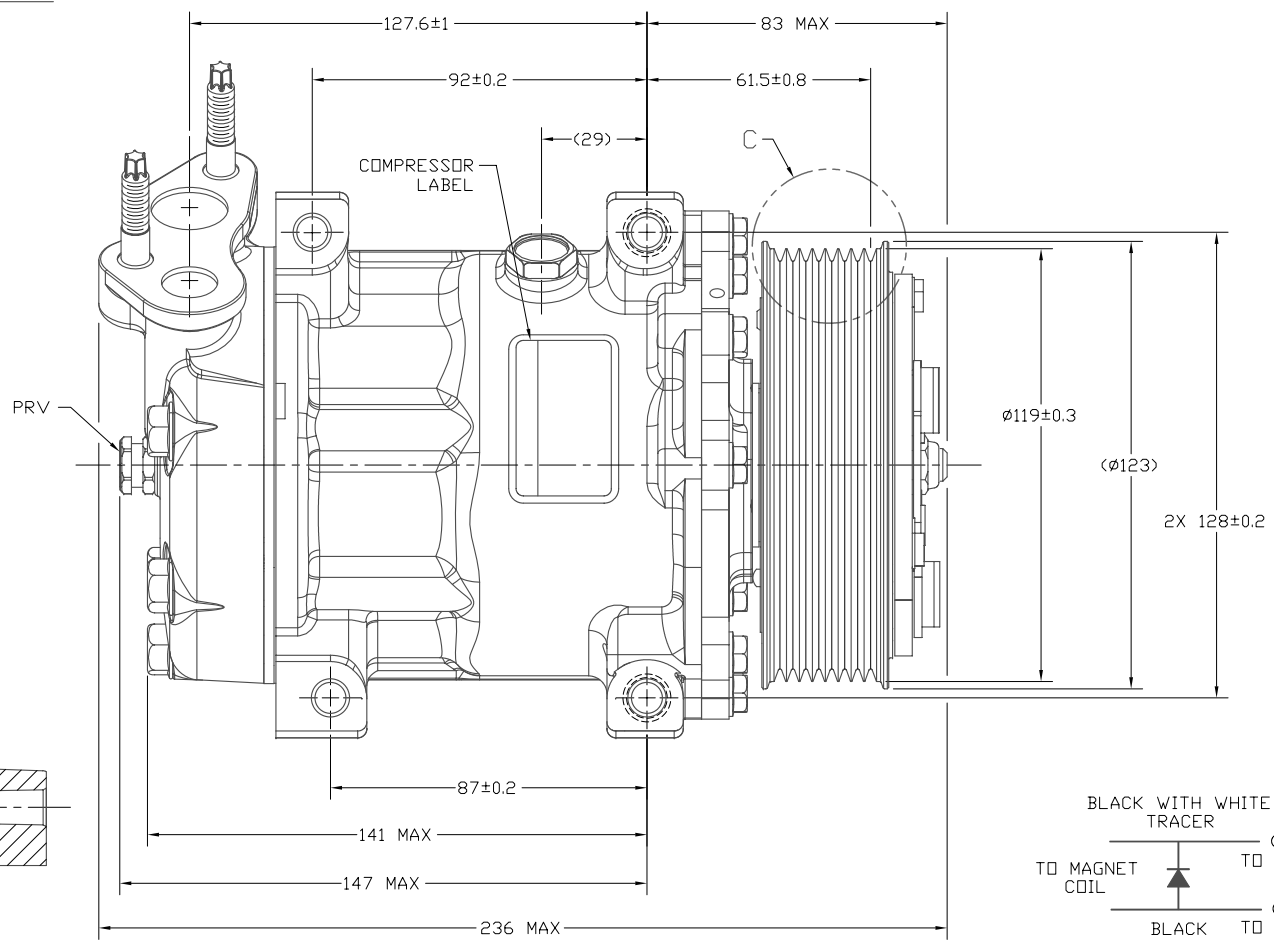
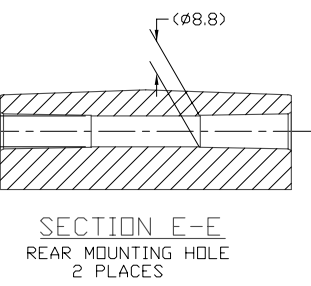
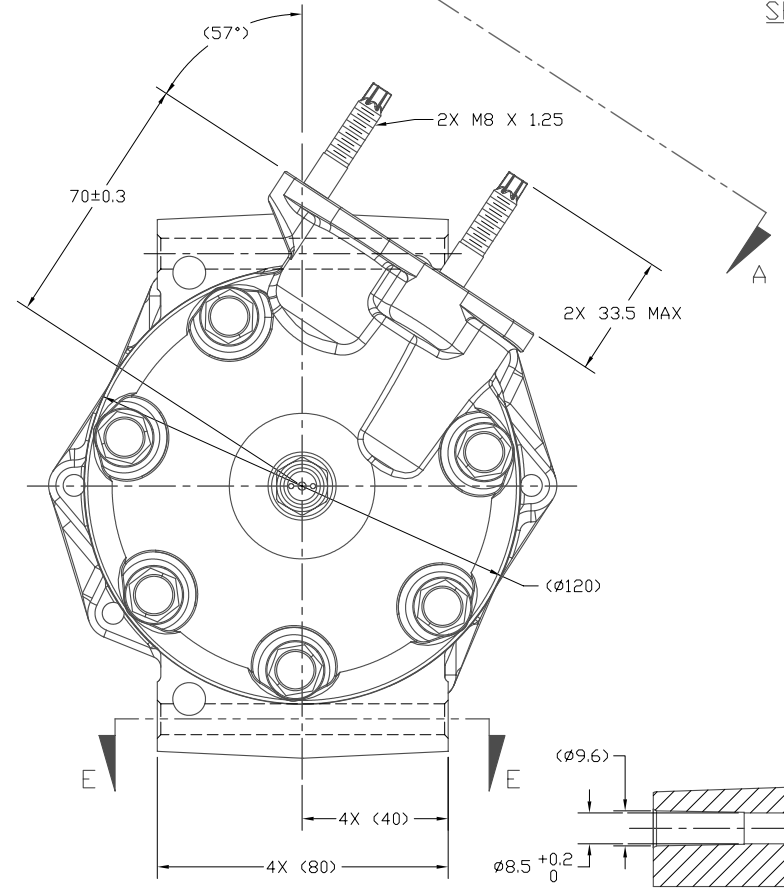
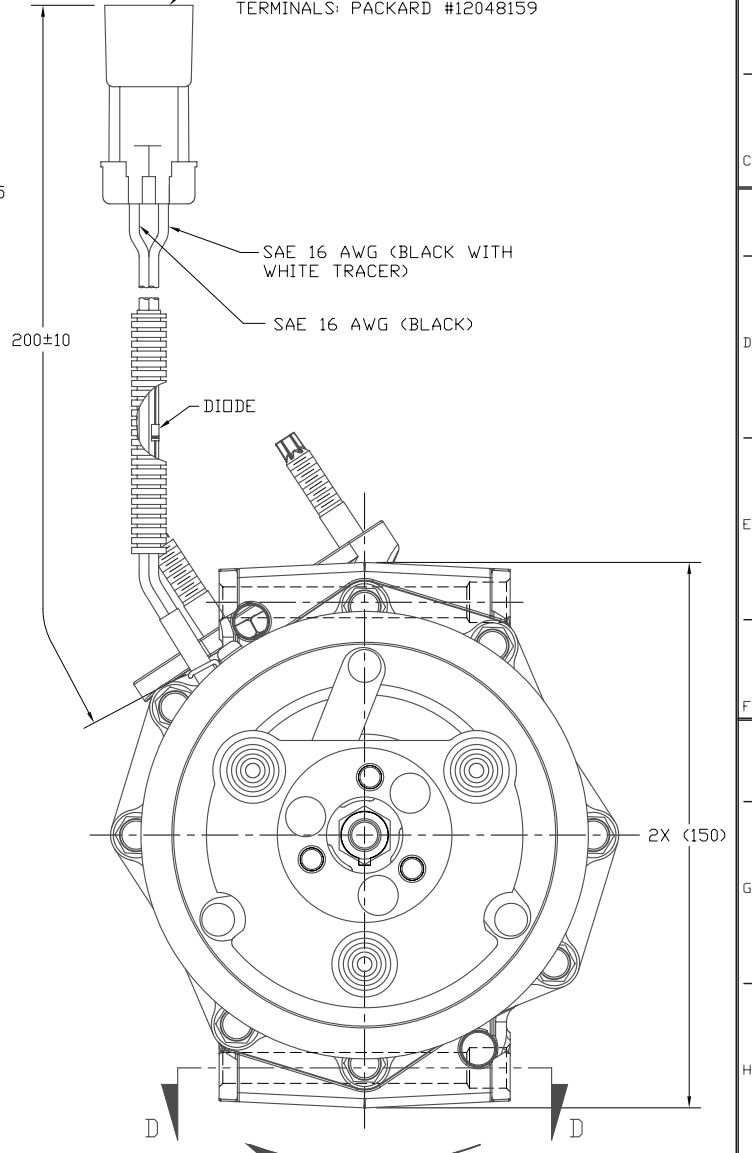


PCDN	REV	APPV	DATE	REVISIONS	DWN	DSGN	CHK	APPV
				INITIAL ISSUE REF. 4720-6000, REV. A				



⊖ CAVITY "A" ⊕ CAVITY "B"

CONNECTOR: PACKARD #15300002  
SEALS: PACKARD #12015284  
SECONDARY LOCK: PACKARD #15300014  
TERMINALS: PACKARD #12048159



CLOCKWISE ROTATION

COMPRESSOR SPECIFICATIONS (REF)

DISPLACEMENT PER REVOLUTION	154.9 cc / rev. ( 9.5cu.in. / rev. )
MAXIMUM ALLOWABLE R.P.M.	8000 R.P.M.
MAXIMUM ALLOWABLE CONTINUOUS R.P.M.	6000 R.P.M.
REFRIGERANT	R134a
OIL ( SP-15 )	300 cc ( 10.1 fl.oz. )

CLUTCH SPECIFICATIONS (REF)

RATED VOLTAGE	DC 12V
BREAKAWAY TORQUE	3.5 kgf-m min. @ 12V
MINIMUM ENGAGEMENT VOLTAGE	7.5V @ AIR GAP 0.6mm
POWER CONSUMPTION	49 watts max.
BELT TYPE	PV8 TYPE
MAXIMUM ALLOWABLE BELT TENSION	120 kgf
PULLEY DIAMETER	$\phi 119$ mm (4.68 in.)
CLUTCH TYPE	HEAVY DUTY

DIODE POLARITY

INTERNATIONAL PART NUMBER: TBD

DO NOT SCALE

REV. LEVEL DSN APPV. DATE RELEAS. FOR DESIGN VALIDATION	SANDEN INTERNATIONAL ( U.S.A. ), INC. DRAWN SCALE REF 1:1 PLOTTED SCALE REF 1:1 METRIC This drawing and the information contained hereon are CONFIDENTIAL and PROPRIETARY to Sanden International (U.S.A.), Inc., are received in CONFIDENCE and shall not be used, copied, or disclosed to others without the written permission of Sanden International (U.S.A.), Inc. INTERPRETATION OF THIS DRAWING PER ASME Y14.5M-1994 THIRD ANGLE PROJECTION SIZE D
REV. LEVEL DSN APPV. DATE RELEAS. FOR PRODUCTION VAL'D.	MATERIAL: - NAME COMPRESSOR, SD7H15 ENHANCED CAPACITY DVG. NO. 4720-A-6000 REV A
REV. LEVEL DSN APPV. DATE RELEAS. FOR PRODUCTION	SAND CAST MATERIAL FOR MASS PRODUCTION