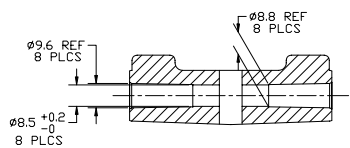
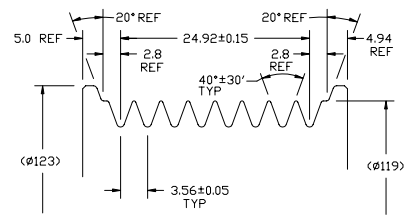


16 | 15 | 14 | 13 | 12 | 11 | 10 | 9 | 8 | 7 | 6 | 5 | 4 | 3 | 2 | 1

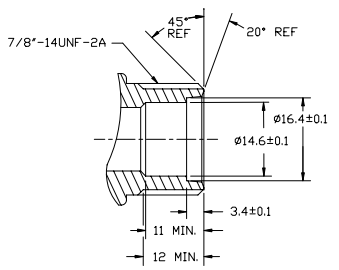
PCDN	REV	APPV DATE	REVISIONS	DVN	ESGN	CHK	APPV
95803	Δ	-	ADDED PROPRIETARY MITS. AND UPDATED TO CURRENT STANDARDS	JUN	2002	SD	6.6.4
99950	Δ	05/03/99	CHANGE FROM HEMISPHERIC TO DIPLOLE FIELD COIL ASSEMBLY ADDED COMPRESSOR LABEL	JUN	2002	SD	6.6.4
200340	Δ	11/06/01	UPDATED TO CURRENT TITLE BLOCK DIL COP-02 WAS OIL COP-20	JUN	2002	SD	6.6.4



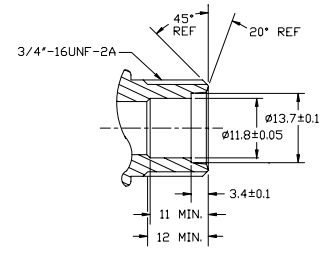
SECTION A-A



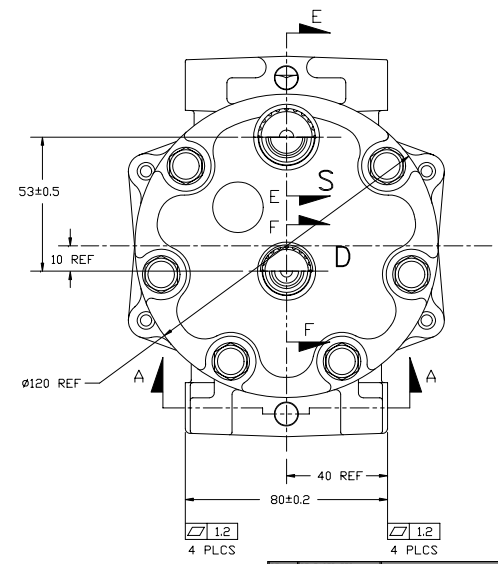
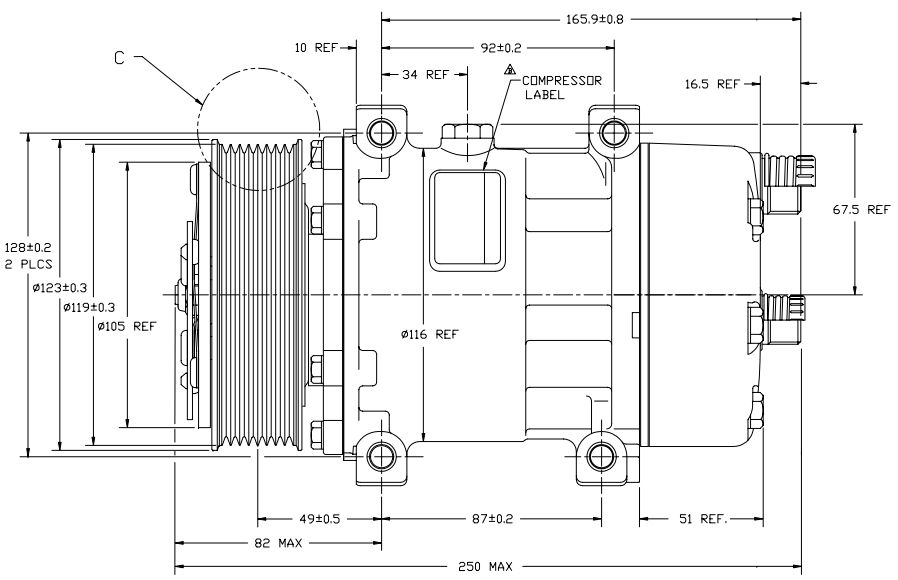
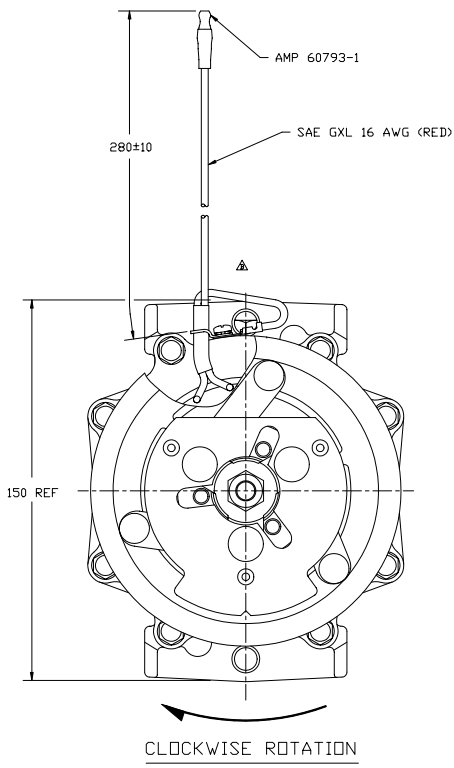
DETAIL C
SCALE: 3:1



SECTION E-E
SCALE: 2:1
(SECTION SHOWN WITH SEAL CAP REMOVED)



SECTION F-F
SCALE: 2:1
(SECTION SHOWN WITH SEAL CAP REMOVED)



COMPRESSOR SPECIFICATIONS

DISPLACEMENT PER REVOLUTION	154.9 cc / rev. (9.5cuin. / rev.)
MAXIMUM ALLOWABLE R.P.M.	8000 R.P.M.
MAXIMUM ALLOWABLE CONTINUOUS R.P.M.	6000 R.P.M.
REFRIGERANT	R134a
OIL (SP-15)	240 cc (8.1 fl.oz.)
WEIGHT	7.2 kg (16 lb.)

CLUTCH SPECIFICATIONS

RATED VOLTAGE	DC 12V
BREAKAWAY TORQUE	3.5 kgf min. @ 12V
MINIMUM ENGAGEMENT VOLTAGE	7.5V @ AIR GAP 0.6mm REF
POWER CONSUMPTION	49 watts max.
BELT TYPE	PV8 TYPE
MAXIMUM ALLOWABLE BELT TENSION	120 kgf
PULLEY DIAMETER	Ø119mm (4.68 in.)
CLUTCH TYPE	STANDARD

DO NOT SCALE

RELEASED FOR PRODUCTION	DATE	05/28/99	BY	SD
APPV	DATE	05/28/99	BY	SD
CHK	DATE	05/28/99	BY	SD
RELEASED FOR DESIGN VALIDATION	DATE	05/28/99	BY	SD
APPV	DATE	05/28/99	BY	SD
RELEASED FOR PRODUCTION VAL. 2	DATE	05/28/99	BY	SD
APPV	DATE	05/28/99	BY	SD
RELEASED FOR PRODUCTION	DATE	05/28/99	BY	SD

SANDEN
SANDEN INTERNATIONAL (U.S.A.), INC.

DRAWN BY: *SD* CHECKED BY: *SD* PLOTTED BY: *SD*

SCALE REF: 1:1 METRIC

This drawing and the information contained herein are CONFIDENTIAL and PROPRIETARY to Sanden International (U.S.A.), Inc. and are loaned in CONFIDENCE and shall not be used, copied, or disclosed to others without the written permission of Sanden International (U.S.A.), Inc.

INTERPRETATION OF THIS DRAWING PER ASME Y14.5M-1994

THIRD ANGLE PROJECTION

MATERIAL: -

NAME: -

COMPRESSOR OUTLINE

DWG. NO.: 4666-6000 REV. C

16 | 15 | 14 | 13 | 12 | 11 | 10 | 9 | 8 | 7 | 6 | 5 | 4 | 3 | 2 | 1