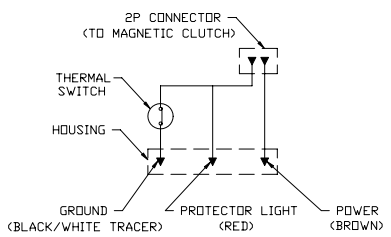
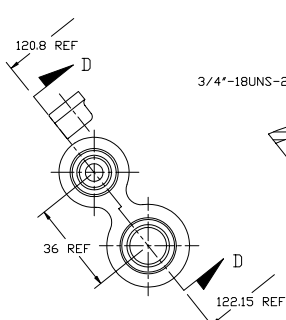


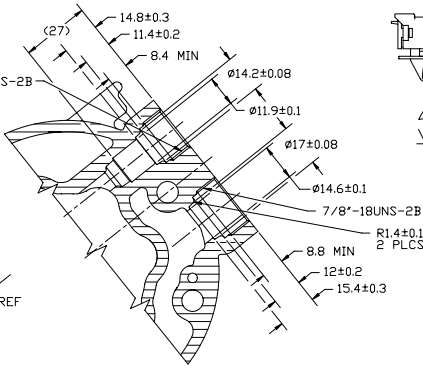
PCDN	REV.	APPV. DATE	REVISIONS	DVN	ESGN	CHK	APPV.
	Δ		INITIAL RELEASE				



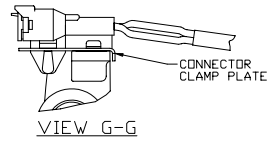
CIRCUIT DIAGRAM



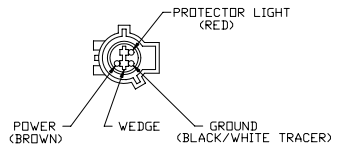
VIEW F-F  
(VIEW SHOWN WITH SEAL CAPS PLATE AND CONNECTOR REMOVED)



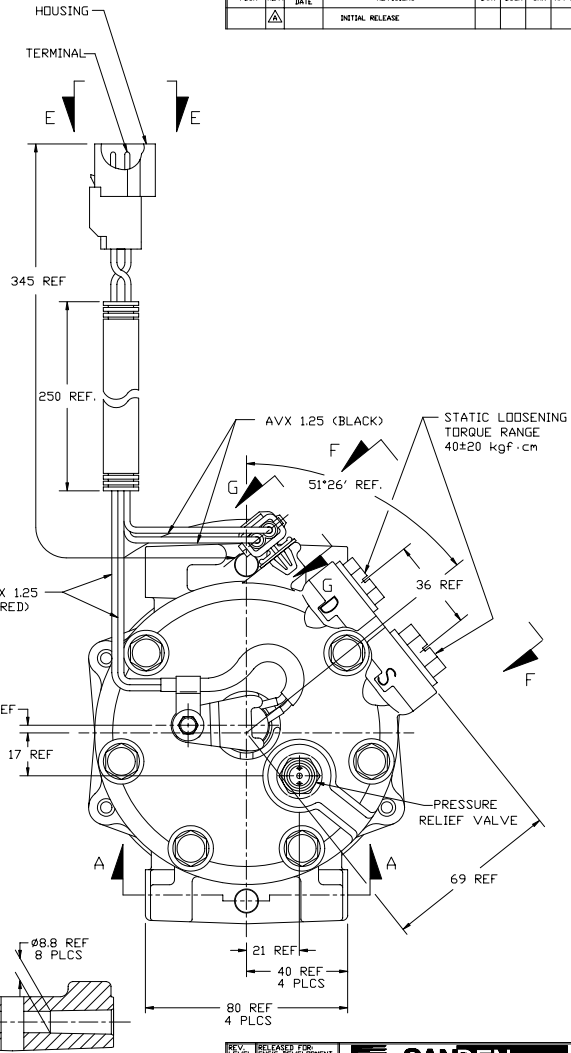
SECTION D-D



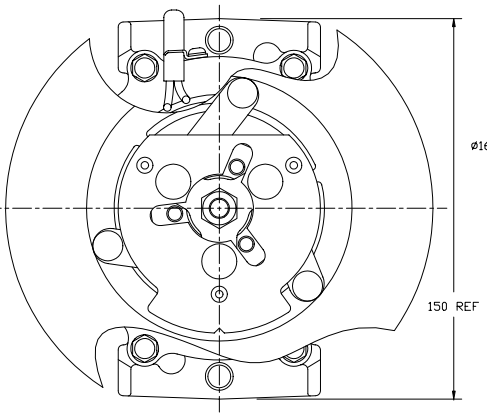
VIEW G-G



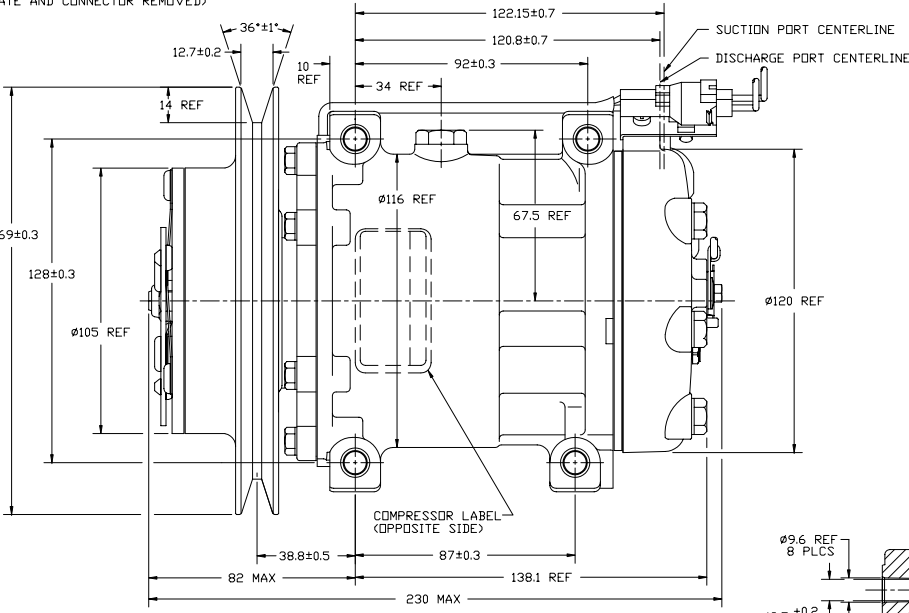
VIEW E-E



SECTION A-A



CLOCKWISE ROTATION



COMPRESSOR SPECIFICATIONS

DISPLACEMENT PER REVOLUTION	154.9 cc / rev. ( 9.5cuin. / rev. )
MAXIMUM ALLOWABLE R.P.M.	6000 R.P.M.
MAXIMUM ALLOWABLE CONTINUOUS R.P.M.	4000 R.P.M.
REFRIGERANT	R134a
OIL SP-15	300cc ( 10.1 floz. )

CLUTCH SPECIFICATIONS

RATED VOLTAGE	DC 12V
BREAKAWAY TORQUE	3.5 kgf·m min. @ 12v
MINIMUM ENGAGEMENT VOLTAGE	7.5V @ AIR GAP 0.6mm REF
POWER CONSUMPTION	49 watts max.
BELT TYPE	A TYPE
MAXIMUM ALLOWABLE BELT TENSION	60 kgf
PULLEY DIAMETER	Ø169mm ( 6.65 in. )
CLUTCH TYPE	HEAVY DUTY

- NOTES:
- COMPRESSOR/CLUTCH MUST CONFORM TO THE REQUIREMENTS OF SANDEN STANDARDS SES-214 REV. B AND SIA-ES-2002 REV. B.
  - N<sub>2</sub> HOLDING CHARGE DELETED.

REV. LEVEL	RELEASED FOR PRODUCTION	<p>SANDEN INTERNATIONAL (U.S.A.), INC.</p>	<p>SCALE REF 1:1</p> <p>PLATTER SCALE REF 1:1</p> <p><b>METRIC</b></p>
APPV.	NO		
CHK	NO	<p>This drawing and the information contained herein are CONFIDENTIAL and PROPRIETARY to Sanden International (U.S.A.), Inc. and are released in CONFIDENCE and shall not be used, copied, or disclosed to others without the written permission of Sanden International (U.S.A.), Inc.</p>	
APPV.	NO	<p>INTERPRETATION OF THIS DRAWING PER ASME Y14.5M-1994</p>	
REV. LEVEL	RELEASED FOR DESIGN VALIDATION	THIRD ANGLE PROJECTION	SIZE D
APPV.	NO	<p>MATERIAL:</p>	
REV. LEVEL	RELEASED FOR PRODUCTION VAL. S.	<p>NAME</p>	
APPV.	NO	<p>COMPRESSOR</p>	
REV. LEVEL	RELEASED FOR PRODUCTION	<p>DWG. NO. 4602-AFT-6000</p>	
APPV.	NO	<p>REV. A</p>	
APPV. DATE	7/16/03		

DO NOT SCALE