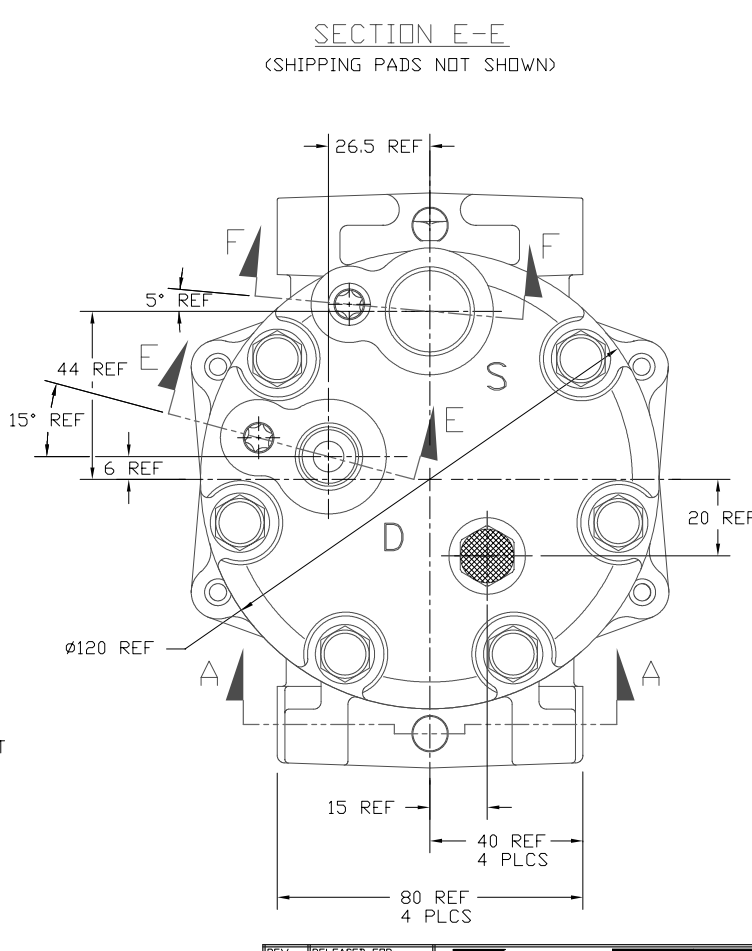
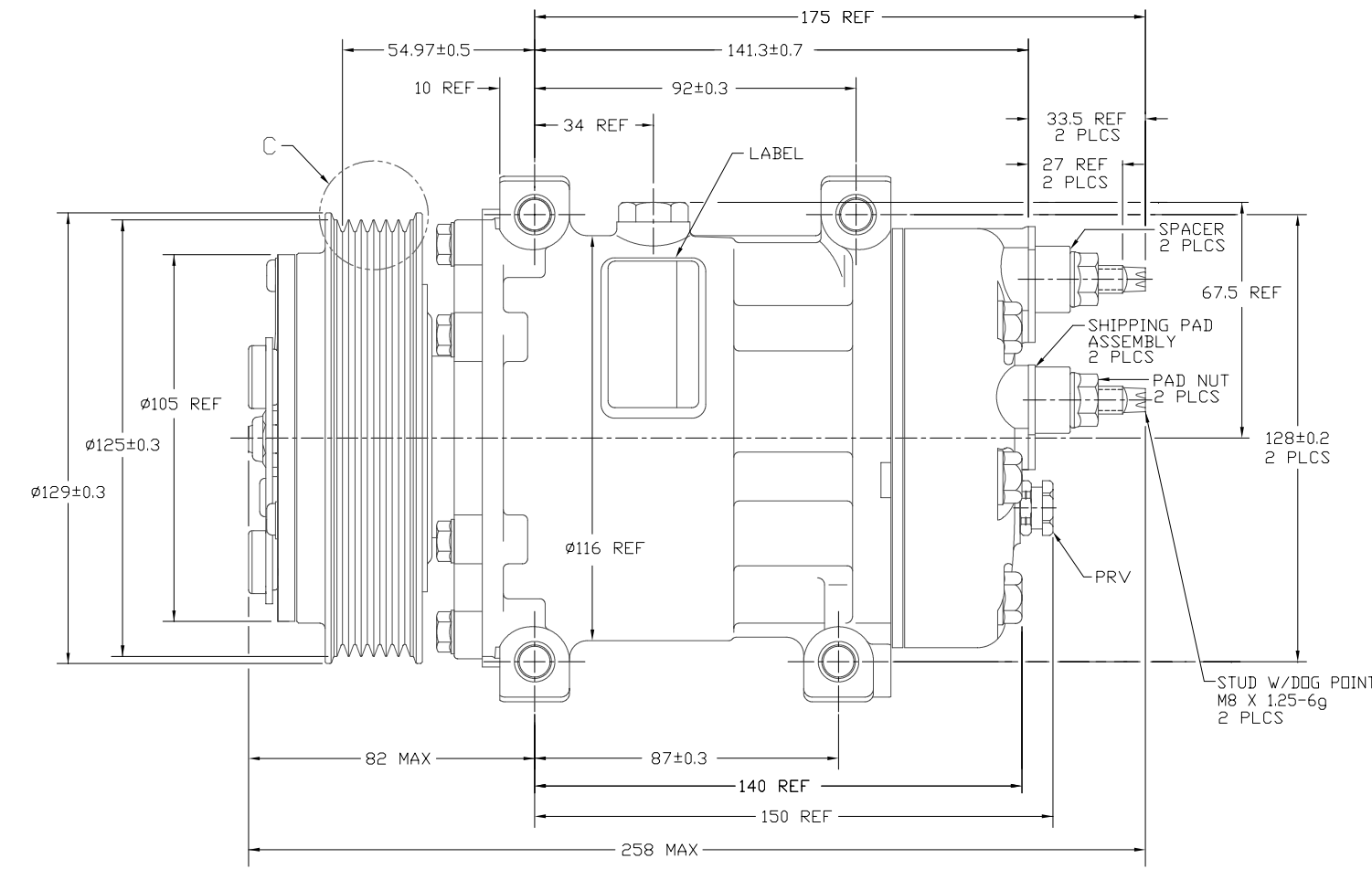
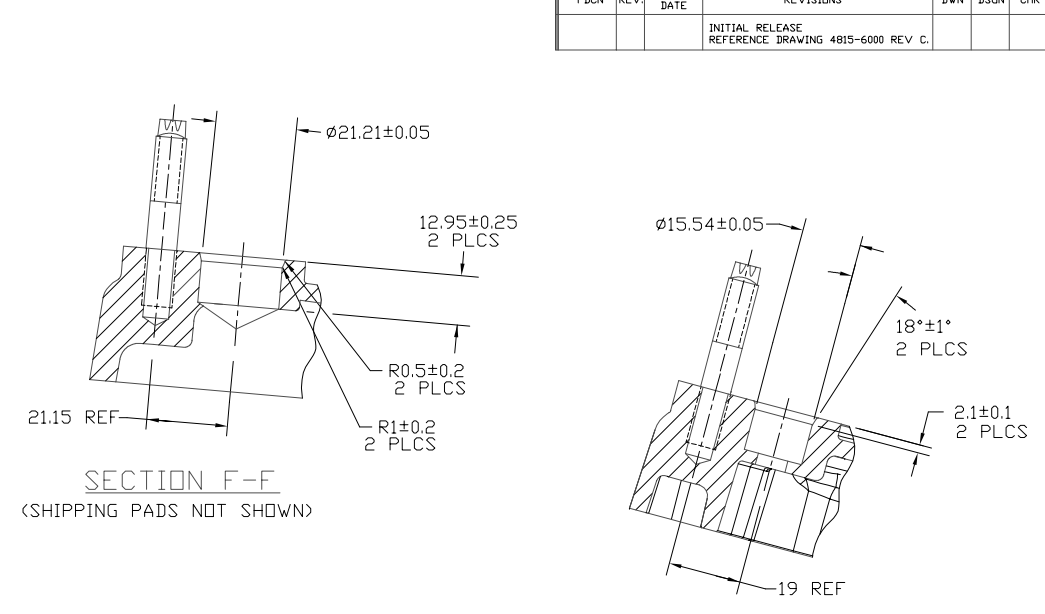
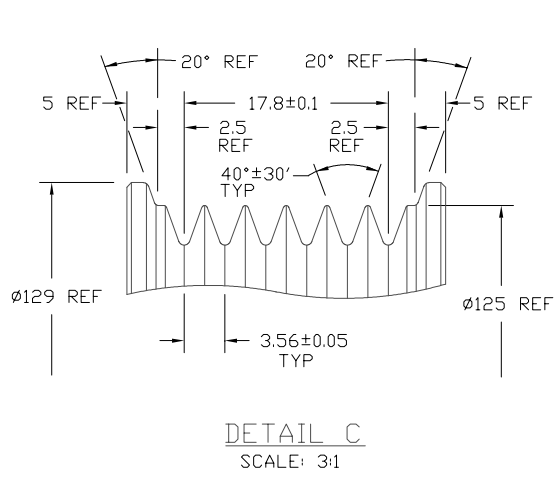
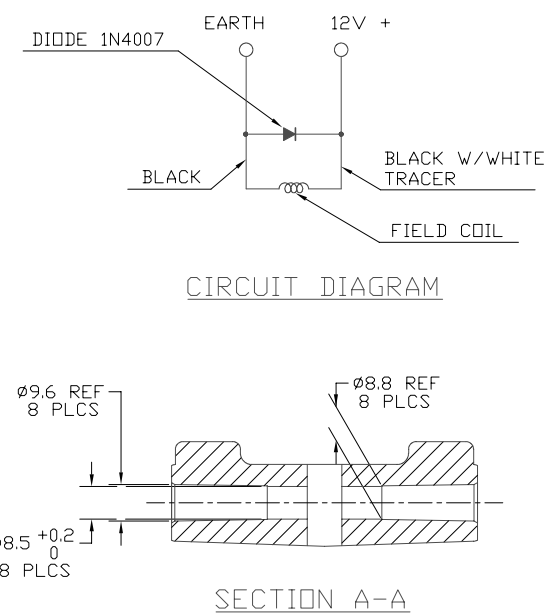
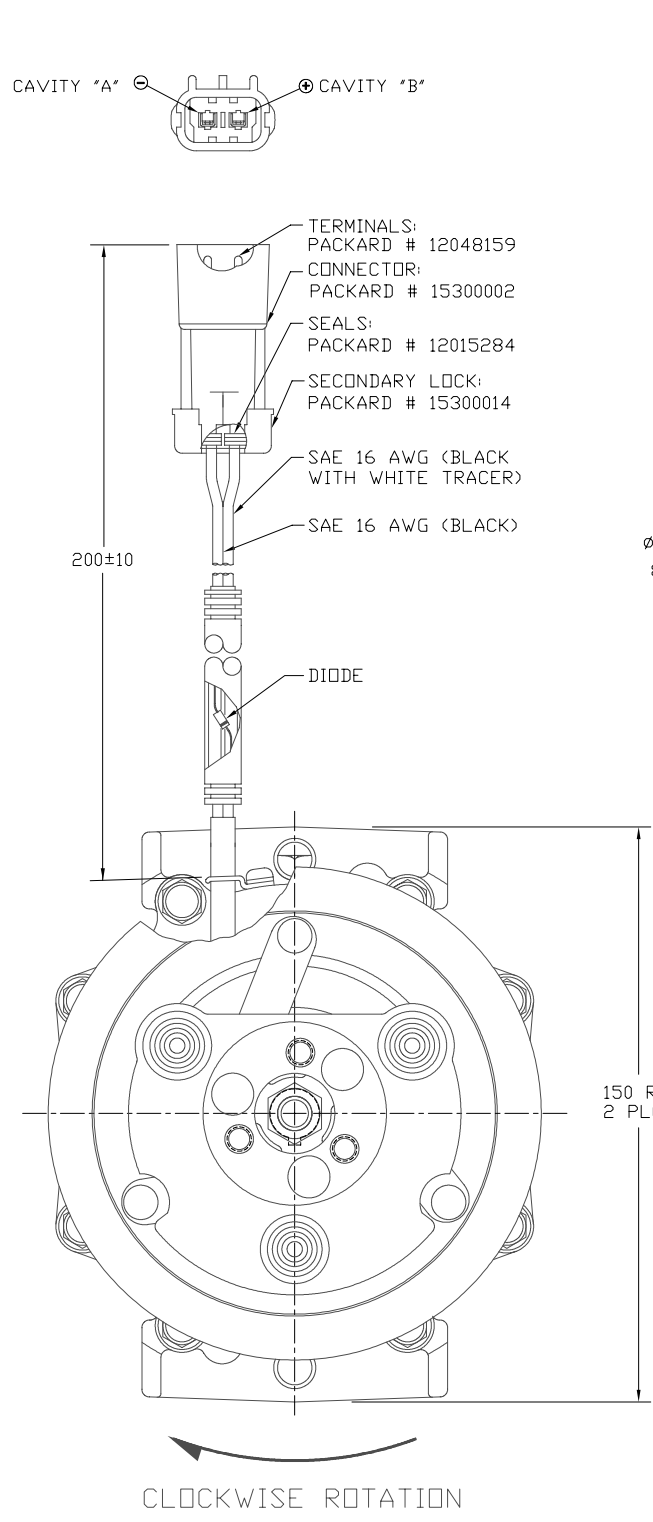


|      |      |      |      |   |     |      |     |      |
|------|------|------|------|---|-----|------|-----|------|
| PDCN | REV. | APPV | DATE | REVISIONS   | DWN | DSGN | CHK | APPV |
|      |      |      |      | INITIAL RELEASE<br>REFERENCE DRAWING 4815-6000 REV C. |     |      |     |      |



COMPRESSOR SPECIFICATIONS (REF)

|                                     |                                      |
|-------------------------------------|--------------------------------------|
| DISPLACEMENT PER REVOLUTION         | 154.9 cc / rev. ( 9.5cu.in. / rev. ) |
| MAXIMUM ALLOWABLE R.P.M.            | 8000 R.P.M.                          |
| MAXIMUM ALLOWABLE CONTINUOUS R.P.M. | 6000 R.P.M.                          |
| REFRIGERANT                         | R134a                                |
| OIL ( SP-15 )                       | 300 cc ( 10.1 fl.oz. )               |

CLUTCH SPECIFICATIONS (REF)

|                                |                      |
|--------------------------------|----------------------|
| RATED VOLTAGE                  | DC 12V               |
| BREAKAWAY TORQUE               | 3.5 kgf-m min. @ 12V |
| MINIMUM ENGAGEMENT VOLTAGE     | 7.5V @ AIR GAP 0.6mm |
| POWER CONSUMPTION              | 49 watts max.        |
| BELT TYPE                      | PV6 TYPE             |
| MAXIMUM ALLOWABLE BELT TENSION | 120 kgf              |
| PULLEY DIAMETER                | Ø125 mm ( 4.92 in. ) |
| CLUTCH TYPE                    | HEAVY DUTY           |

|            |  |   |
|------------|--|---|
| REV. LEVEL | RELEASED FOR: ENGR DEVELOPMENT   | <br>SANDEN INTERNATIONAL (U.S.A.), INC.             |
| A          | DSGN: J Sokolowski<br>CHK: Dennis Lee 11/4/05<br>APPV: NB<br>DATE: 12/6/05 |   |
| REV. LEVEL | RELEASED FOR: DESIGN VALIDATION  | INTERPRETATION OF THIS DRAWING PER ASME Y14.5M-1994 |
| A          | DSGN: J Sokolowski<br>CHK: Dennis Lee 11/4/05<br>APPV: NB<br>DATE: 12/6/05 | THIRD ANGLE PROJECTION                              |
| REV. LEVEL | RELEASED FOR: PRODUCTION VAL'D.  | MATERIAL:   |
| A          | DSGN: J Sokolowski<br>CHK: Dennis Lee 11/4/05<br>APPV: NB<br>DATE: 12/6/05 | NAME: COMPRESSOR                                    |
| REV. LEVEL | RELEASED FOR: PRODUCTION   | DWG. NO. 4546-6000                                  |
| A          | DSGN: NB<br>CHK: NB<br>APPV: NB<br>DATE: 8/28/06                           | REV. A  |