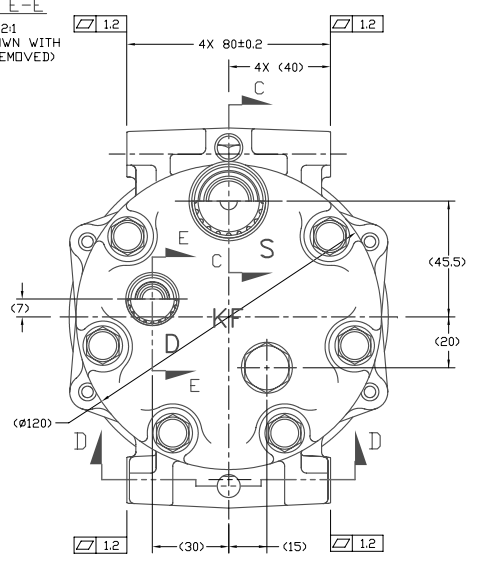
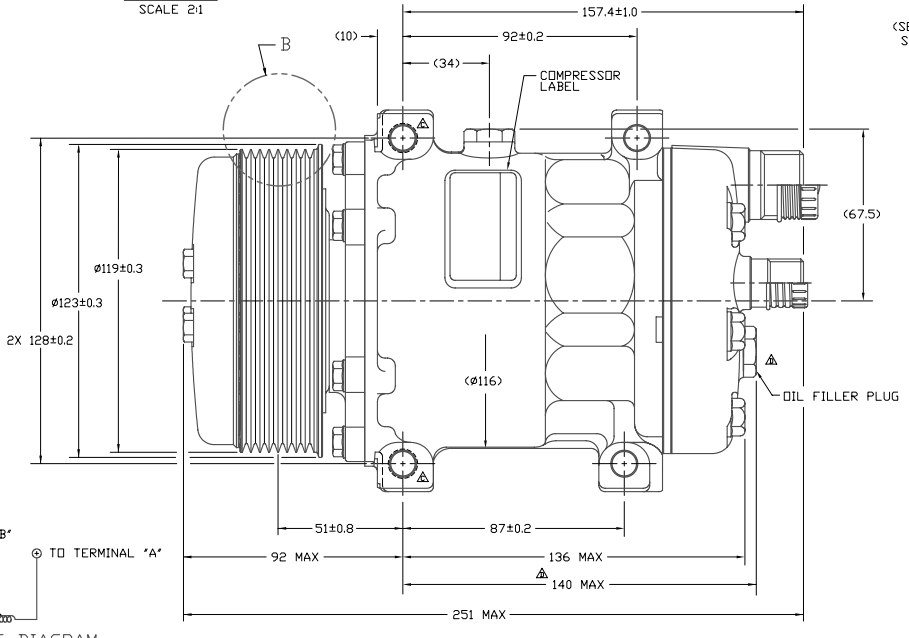
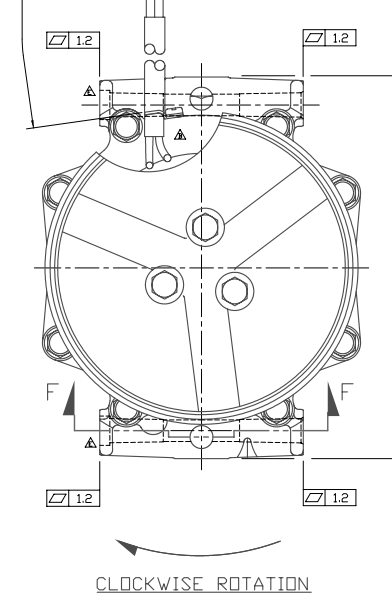
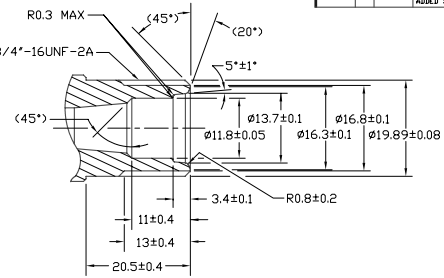
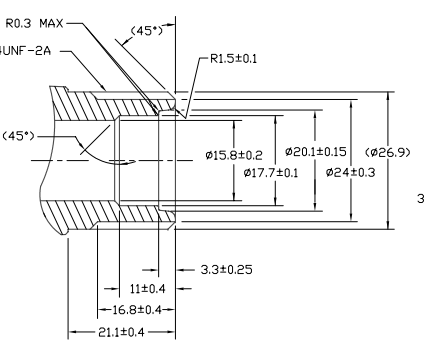
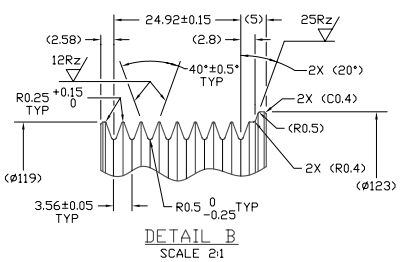
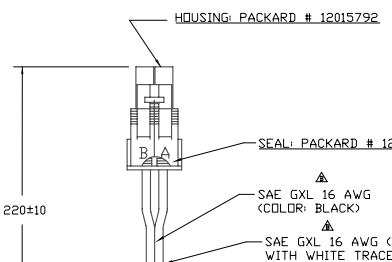
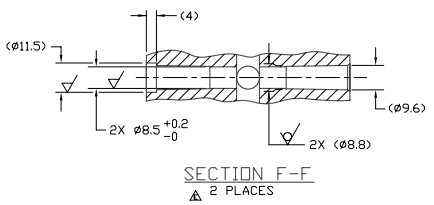
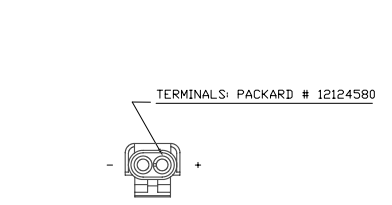


PCDN	REV	APPRV	DATE	REVISIONS	DWN	ESGN	CHK	APPRV
				INITIAL ISSUE REF. DWG. NO. A07PH-6000 REV. A				
	2006005		7/5/06	FIELD COIL ASSY 6007-6000 WAS UNL. COIL SAE Q02-16 AVG. COLOR BLACK WAS A/C 2 BLACK; SAE Q01- 16 AVG. COIL DR. BLACK WITH TRACERS WAS A/C 2 (RED).	DRL	SN	DRL	NB
	2006031			DELETED SECTION A-A REMOVED COUNTERBORE FROM BOTH FRONT HOUSING BORES SECTION F-F, 4 PLACES WAS SECTION F-F, 2 PLACES	RSR	SN	DRL	NB
	2007009		01/30/07	REMOVED REV. 4967-1860 AND REPLACED WITH OIL FILLER PLUG (239-6410) 140 MAX. WAS 145 MAX	RSR	SN	DRL	EMA
	2007113		06/19/07	ADDED COUNTERBORE ADDED SECTION F-F	TG	SN	AA	EMA

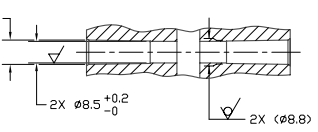


COMPRESSOR SPECIFICATIONS (REF.)

DISPLACEMENT PER REVOLUTION	154.9 cc / rev. (9.5cu.in. / rev.)
MAXIMUM ALLOWABLE R.P.M.	5000 R.P.M.
MAXIMUM ALLOWABLE CONTINUOUS R.P.M.	5000 R.P.M.
REFRIGERANT	R134a
OIL (SP-15)	270 cc (9.1 floz.)

CLUTCH SPECIFICATIONS (REF.)

RATED VOLTAGE	DC 12V
BREAKAWAY TORQUE	3.5 kgf-m min. @ 12V
MINIMUM ENGAGEMENT VOLTAGE	7.5V @ AIR GAP 0.6mm
POWER CONSUMPTION	49 watts max.
BELT TYPE	PV8 TYPE
MAXIMUM ALLOWABLE BELT TENSION	120 kgf
PULLEY DIAMETER	Ø119mm (4.7 in.)
CLUTCH TYPE	HEAVY DUTY



REV. A	RELEASED FOR PRODUCTION	DATE: 6-20-07	BY: E. Arriola
REV. A	DESIGN VALIDATION	DATE: 6-23-06	BY: Note Burns
REV. A	RELEASED FOR PRODUCTION	DATE: 5-10-06	BY: Note Burns
REV. A	DESIGN VALIDATION	DATE: 5-10-06	BY: Note Burns
REV. A	RELEASED FOR PRODUCTION	DATE: 12/15/05	BY: Note Burns
REV. A	DESIGN VALIDATION	DATE: 12/15/05	BY: Note Burns
REV. A	RELEASED FOR PRODUCTION	DATE: 5/15/05	BY: Note Burns
REV. A	DESIGN VALIDATION	DATE: 5/15/05	BY: Note Burns
REV. A	RELEASED FOR PRODUCTION	DATE: 5/15/05	BY: Note Burns
REV. A	DESIGN VALIDATION	DATE: 5/15/05	BY: Note Burns

SANDEN
SANDEN INTERNATIONAL CORPORATION
SCALE: REF 1:1 PLOTTED SCALE PER: NDE/METRIC
This drawing and the information contained herein are CONFIDENTIAL and PROPRIETARY to Sanden International (U.S.A.), Inc. and shall not be used, copied, or disclosed to others without the written permission of Sanden International (U.S.A.), Inc.
INTERPRETATION OF THIS DRAWING PER ASME Y14.5M-1994
THIRD ANGLE PROJECTION
SIZE D
MATERIAL: -
NAME: COMPRESSOR SD7H15 ENHANCED CAPACITY
DWG. NO.: 4545-6000
REV. E

DO NOT SCALE