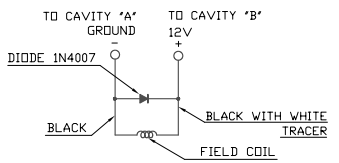
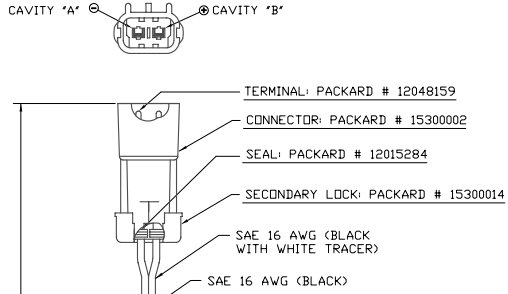
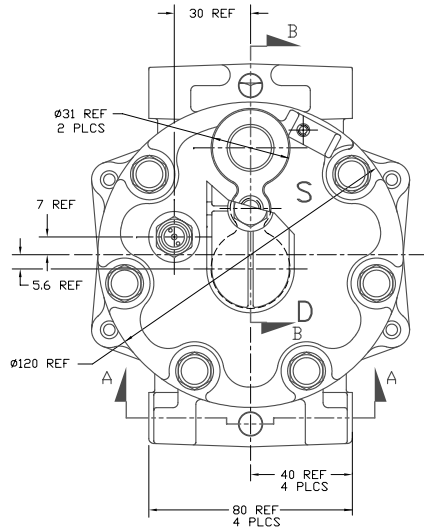
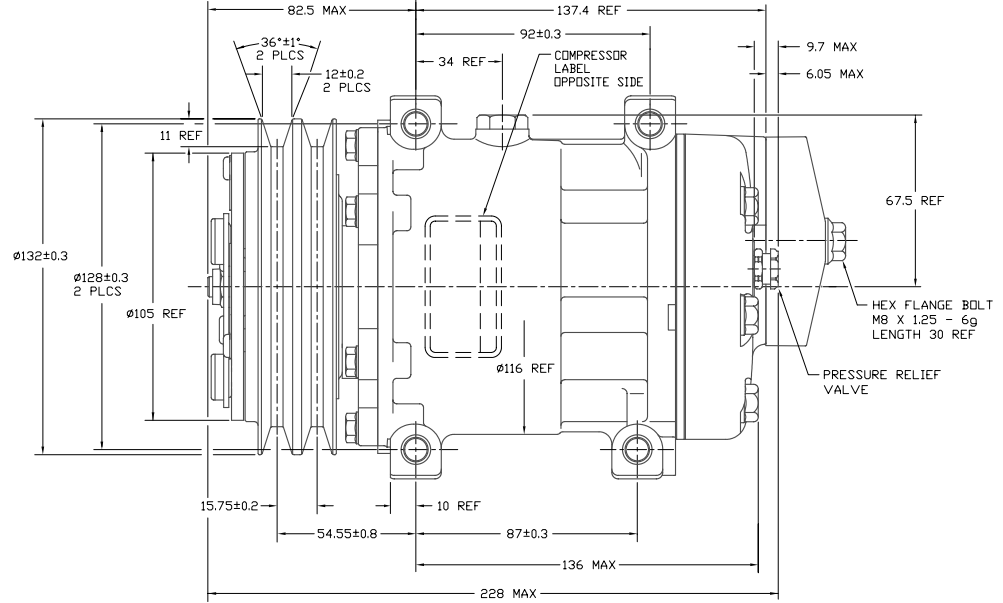
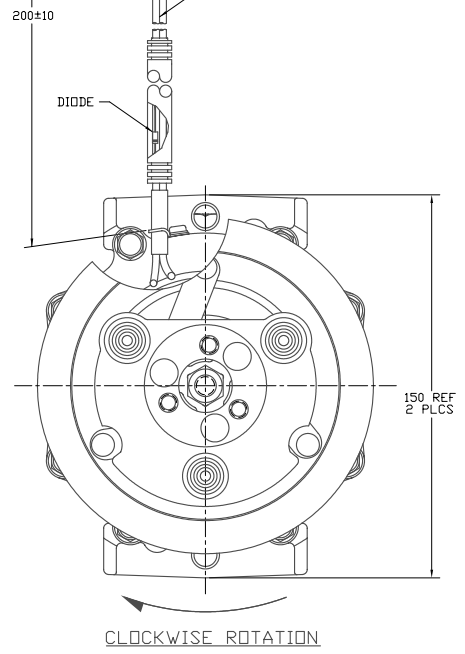
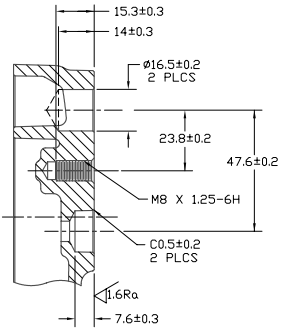
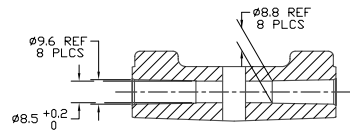


PSDN	REV.	APPV. DATE	REVISIONS	DWN	DSGN	CHK	APPV.
			INITIAL RELEASE.				



CIRCUIT DIAGRAM



COMPRESSOR SPECIFICATIONS (REF)

DISPLACEMENT PER REVOLUTION	154.9 cc / rev. (9.5cu.in. / rev.)
MAXIMUM ALLOWABLE R.P.M.	8000 R.P.M.
MAXIMUM ALLOWABLE CONTINUOUS R.P.M.	6000 R.P.M.
REFRIGERANT	R134a
OIL (SP-15)	300 cc (10.1 fl.oz.)
WEIGHT	TBD

CLUTCH SPECIFICATIONS (REF)

RATED VOLTAGE	DC 12V
BREAKAWAY TORQUE	3.5 kgf-m min. @ 12V
MINIMUM ENGAGEMENT VOLTAGE	7.5V @ AIR GAP 0.6mm
POWER CONSUMPTION	49 watts max.
BELT TYPE	A TYPE
MAXIMUM ALLOWABLE BELT TENSION	60 kgf per belt
PULLEY DIAMETER	Ø132mm (5.2 in.)
CLUTCH TYPE	HEAVY DUTY

RELEASED FOR PRODUCTION	DRWN SCALE REF	PLTDR SCALE REF	SANDEN SANDEN INTERNATIONAL (U.S.A.) , INC.
DSGN	J Sokolowski	1:1	METRIC
APPV. DATE	Jenn Lee 11/24/05	1:1	This drawing and the information contained hereon are CONFIDENTIAL and PROPRIETARY to Sanden International (U.S.A.), Inc. and shall not be used, copied, or disclosed to others without the written permission of Sanden International (U.S.A.), Inc.
RELEASED FOR PRODUCTION	DSGN	DATE	INTERPRETATION OF THIS DRAWING PER ASME Y14.5M-1994
DSGN	Shige Nagasui	11/9/05	THIRD ANGLE PROJECTION
APPV. DATE	Shige Nagasui	11/9/05	SIZE D
RELEASED FOR PRODUCTION	DSGN	DATE	MATERIAL:
DSGN	Shige Nagasui	11/9/05	
APPV. DATE	Shige Nagasui	11/9/05	NAME
RELEASED FOR PRODUCTION	DSGN	DATE	COMPRESSION
DSGN			
APPV. DATE			DWG. NO. 4538-6000
RELEASED FOR PRODUCTION	DSGN	DATE	REV. A
DSGN			
APPV. DATE			

DO NOT SCALE