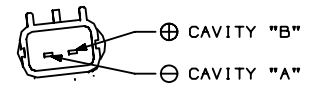


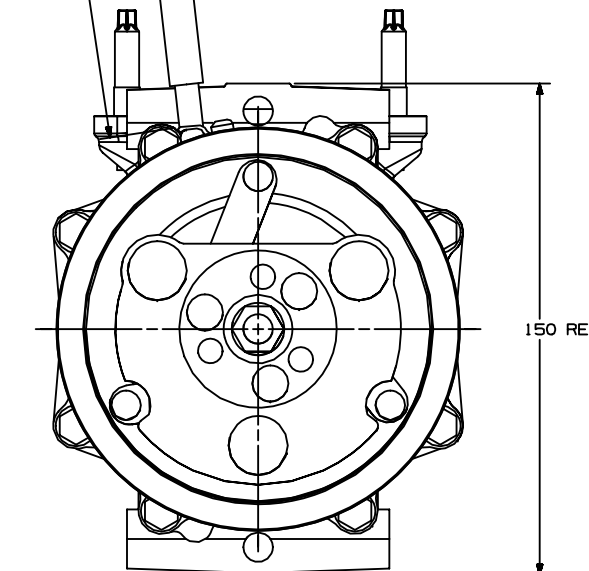
16 | 15 | 14 | 13 | 12 | 11 | 10 | 9 | 8 | 7 | 6 | 5 | 4 | 3 | 2 | 1



CONNECTOR: PACKARD #1530002
 SEALS: PACKARD #12015284
 SECONDARY LOCK: PACKARD #15300014
 TERMINALS: PACKARD #12048159

SAE 16 AWG (BLACK WITH WHITE TRACER)
 SAE 16 AWG (BLACK)

200 ±10
 DIODE (INSIDE)



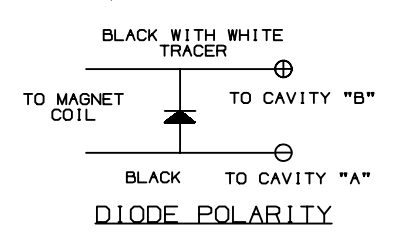
CLOCKWISE ROTATION

COMPRESSOR SPECIFICATIONS

DISPLACEMENT PER REVOLUTION	154.9 cc/rev. (9.5cu.in./rev.)
MAXIMUM ALLOWABLE R.P.M.	8000 R.P.M.
MAXIMUM ALLOWABLE CONTINUOUS R.P.M.	6000 R.P.M.
REFRIGERANT	R134a
OIL (SP-15)	300±10 cc (10.1 fl.oz.)

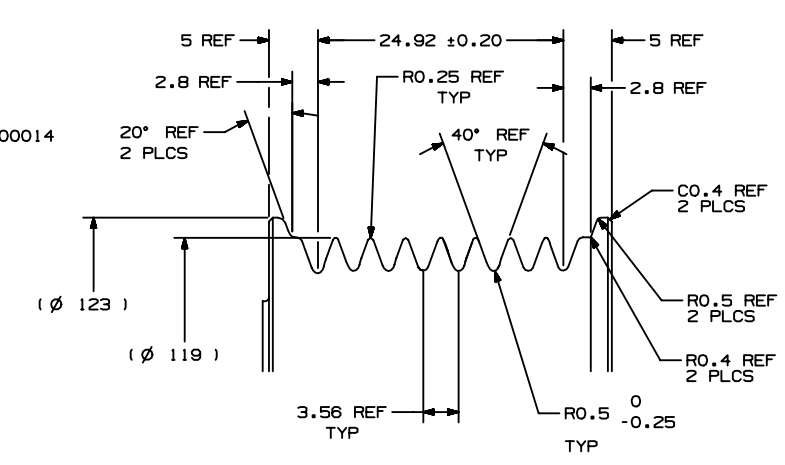
CLUTCH SPECIFICATIONS

RATED VOLTAGE	DC 12V
BREAKAWAY TORQUE	3.5 kgf·m min. @ 12V
MINIMUM ENGAGEMENT VOLTAGE	7.5V max @ AIR GAP 0.6mm REF
POWER CONSUMPTION	49 watts max.
BELT TYPE	PVB TYPE
MAXIMUM ALLOWABLE BELT TENSION	120 kgf
PULLEY DIAMETER	∅119 mm (4.68 in.)
CLUTCH TYPE	HEAVY DUTY

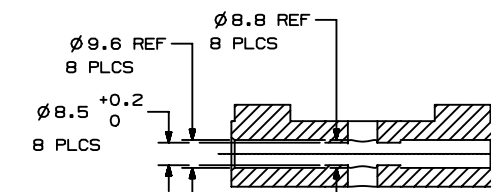


INTERNATIONAL PART NUMBER: TBD

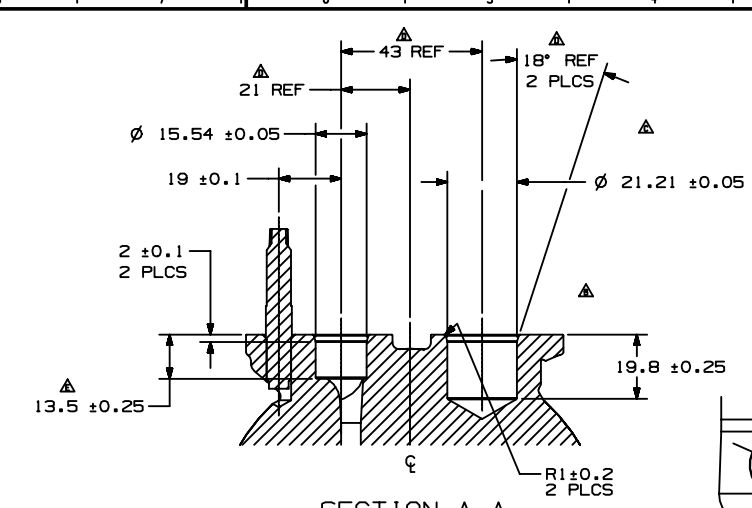
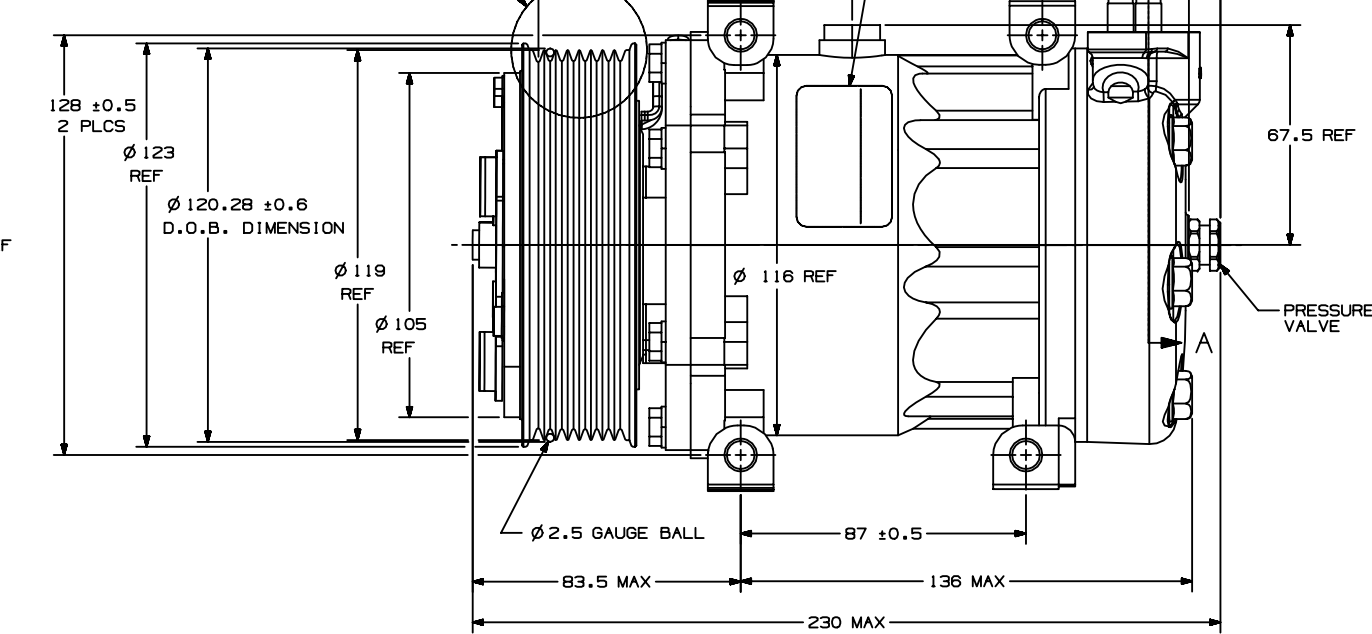
DO NOT SCALE



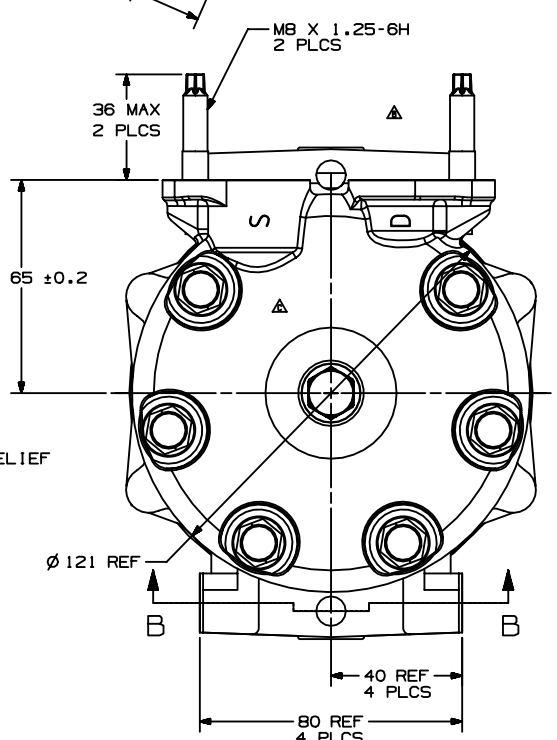
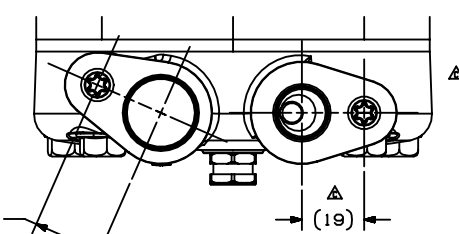
DETAIL C
 SCALE - 3:1



SECTION B-B



SECTION A-A
 SECTION SHOWN WITH SHIPPING PAD REMOVED



POON	REV.	APPLY DATE	REVISIONS	DRN	DSN	CHK	APPV
2002124	Δ	05/28/02	REVERSED PORTS ON CYLINDER HEAD	RSR	PH	DRL	REV.JC
2003059	Δ	03/13/03	DELETED 18, 15±0.1 REF, 21, 15±0.1 (19) REF VIEW OF PORT AREA LIMITED AND TO REFLECT NEW CYLINDER HEAD CONFIGURATION LABEL (FAR SIDE OF COMPRESSOR) WAS LABEL	RSR	PH	DRL	BP.NB
2003085	Δ	04/07/03	43 REF WAS 37 REF 18 REF, 2 PLCS WAS 18", 2 PLCS 21 REF WAS 18 REF	RSR	PH	DRL	BP.JC
2003211	Δ	07/30/03	13.5±0.25 WAS 13±0.25	RSR	PH	DRL	NB

REV. LEVEL	RELEASED FOR DESIGN DEVELOPMENT	<p>SANDEN SWEDEN INTERNATIONAL U.S.A., INC.</p>	SCALE REF	III	SCALE REF	III	METRIC
DRN	P. Naculich		DATE	04/25/02	DATE	04/25/02	DATE
CHK	R. Rodriguez	INTERPRETATION OF THIS DRAWING PER	ASME Y14.5M-1994				
APPV	Dennis L. Burn	THIRD ANGLE PROJECTION					
REV. LEVEL	RELEASED FOR DESIGN VALIDATION	MATERIAL					
DRN	P. Naculich	NAME	UG SD7H15 COMPRESSOR CONFIGURATION				
APPV	N. Burn	DRG. NO.	4418-6000				
DATE	04/22/03	REV	E				
DATE	12/04/03						

16 | 15 | 14 | 13 | 12 | 11 | 10 | 9 | 8 | 7 | 6 | 5 | 4 | 3 | 2 | 1