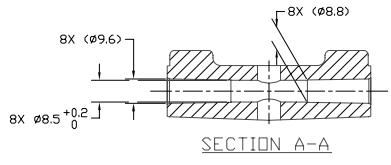
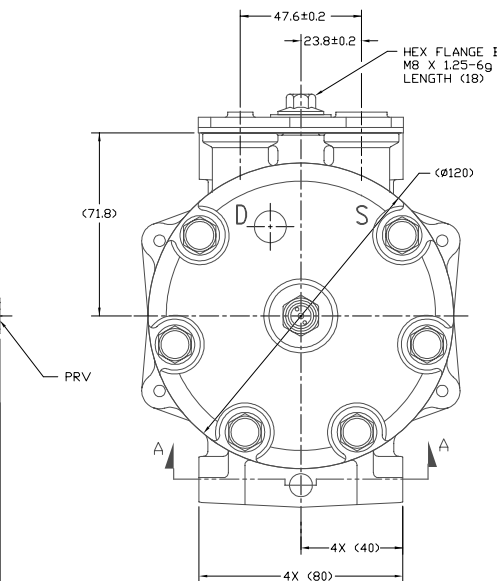
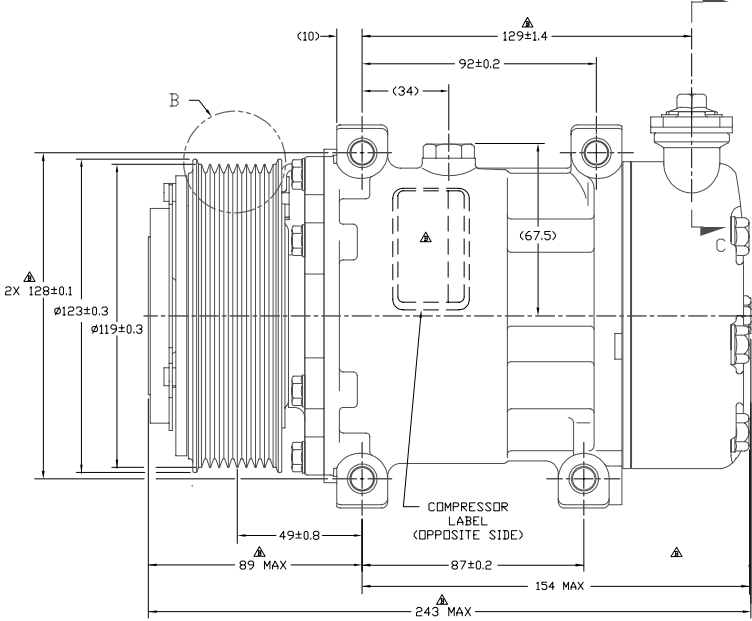
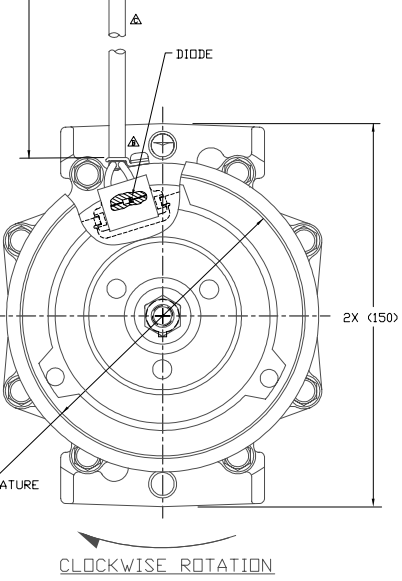
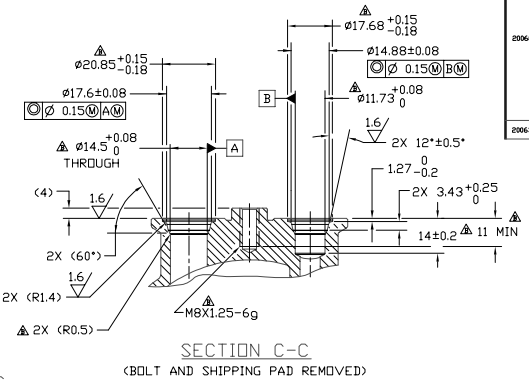
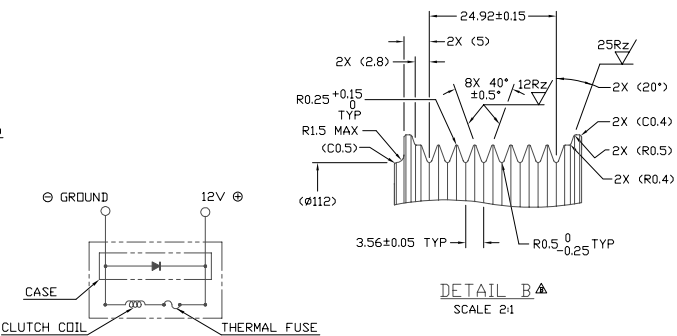
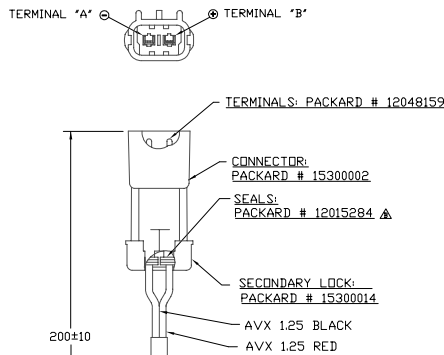


16 | 15 | 14 | 13 | 12 | 11 | 10 | 9 | 8 | 7 | 6 | 5 | 4 | 3 | 2 | 1



NOTE:
▲ 1 COMPRESSOR TO BE CHARGED WITH NITROGEN PRIOR TO SHIPPING WITHIN 0.9±0.7 kgf/cm².

COMPRESSOR SPECIFICATIONS (REF)

DISPLACEMENT PER REVOLUTION	154.9 cc / rev. (9.5cu.in. / rev.)
MAXIMUM ALLOWABLE R.P.M.	8000 R.P.M.
MAXIMUM ALLOWABLE CONTINUOUS R.P.M.	6000 R.P.M.
REFRIGERANT	R134a
OIL (SP-15)	300 cc (10.1 floz.)

CLUTCH SPECIFICATIONS (REF)

RATED VOLTAGE	DC 12V
BREAKAWAY TORQUE	3.5 kgf-m min. @ 12V
MINIMUM ENGAGEMENT VOLTAGE	7.5V @ AIR GAP 0.6mm
POWER CONSUMPTION	49 watts max.
BELT TYPE	PV8 TYPE
MAXIMUM ALLOWABLE BELT TENSION	120 KgF
PULLEY DIAMETER	Ø119mm (4.69 in.)
CLUTCH TYPE	HEAVY DUTY

PCPN	REV	APPV	DATE	REVISIONS	DVN	ISSN	CHK	APPV
				INITIAL RELEASE REF. SUP. NO. 4398-008 REV. B				
				RELOCATED LABEL. REMOVED 50.7 MAX CIRCUIT DIAGRAM AND BITE POLARITY DETAILS. 2X WAS VECTOR 0401-002 REV. A LONG BLOCK 1102-001 WAS SHIP. B.L.L. 14698-002. 8X WAS 82 MAX. 243 MAX WAS 237 MAX. LEAD WIRE CLAMP 1079-001 WAS 1248-070. PACKARD # 12015284 14345. 2X 158401 WAS 2X 158404 WAS PACKARD # 12015284. 14345 NOTE 1. 408AS 1211 WAS 24885415	JS	SN	DRL	NB
2006364	1	1/16/06		Ø17.68 ^{+0.15} _{-0.18} Ø14.88±0.08 Ø0.15⊕B⊕ Ø11.73 ^{+0.08} ₀ 1.6 2X 12°±0.5° 1.27 ^{-0.2} ₀ 2X 3.43 ^{+0.25} ₀ 14±0.2 11 MIN 2X (60°) 2X (R1.4) 2X (R0.5) M8X1.25-6g				
				Ø17.68 ^{+0.15} _{-0.18} Ø20.85 ^{+0.15} _{-0.18} Ø14.88±0.08 Ø0.15⊕B⊕ Ø11.73 ^{+0.08} ₀ 1.6 2X 12°±0.5° 1.27 ^{-0.2} ₀ 2X 3.43 ^{+0.25} ₀ 14±0.2 11 MIN 2X (60°) 2X (R1.4) 2X (R0.5) M8X1.25-6g				
2006364	2	10/24/06		Ø17.68 ^{+0.15} _{-0.18} Ø20.85 ^{+0.15} _{-0.18} Ø14.88±0.08 Ø0.15⊕B⊕ Ø11.73 ^{+0.08} ₀ 1.6 2X 12°±0.5° 1.27 ^{-0.2} ₀ 2X 3.43 ^{+0.25} ₀ 14±0.2 11 MIN 2X (60°) 2X (R1.4) 2X (R0.5) M8X1.25-6g	JS	AA	DRL	AA

REV. LEVEL	RELEASED FOR ENG. DEVELOPMENT	<p>SANDEN SANDEN INTERNATIONAL, U.S.A., INC.</p>	<p>11 PLOTTED 11 METRIC</p> <p>SCALE REF. SCALE REF.</p>
A	<p>DESIGN: <i>M. S. V. Magay</i></p> <p>DATE: 11-9-05</p>		<p>INTERPRETATION OF THIS DRAWING PER ASME Y14.5M-1994</p> <p>THIRD ANGLE PROJECTION</p> <p>SIZE: D</p>
REV. LEVEL	RELEASED FOR DESIGN VALIDATION	MATERIAL:	
A	<p>DESIGN: <i>M. S. V. Magay</i></p> <p>DATE: 11-9-05</p>		
REV. LEVEL	RELEASED FOR PRODUCTION	NAME:	COMPRESSOR
A	<p>DESIGN: <i>M. S. V. Magay</i></p> <p>DATE: 11-9-05</p>	DWG. NO.	4398-6000
REV. LEVEL	RELEASED FOR PRODUCTION	DATE:	REV. C

DO NOT SCALE

16 | 15 | 14 | 13 | 12 | 11 | 10 | 9 | 8 | 7 | 6 | 5 | 4 | 3 | 2 | 1