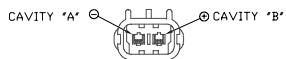
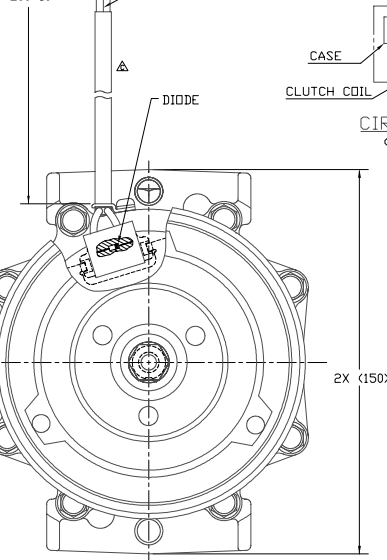


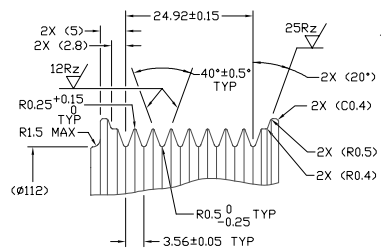
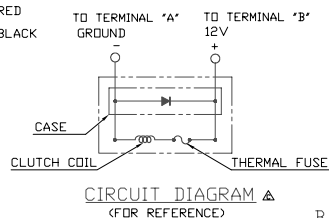
16 15 14 13 12 11 10 9 8 7 6 5 4 3 2 1



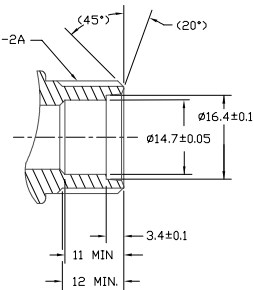
- TERMINALS: PACKARD # 12048159
- CONNECTOR: PACKARD # 15300002
- SEALS: PACKARD # 12015284
- SECONDARY LOCK: PACKARD # 15300014
- AVX 1.25 RED
- AVX 1.25 BLACK



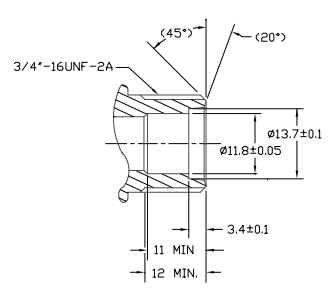
CLOCKWISE ROTATION



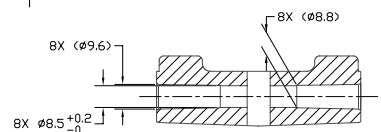
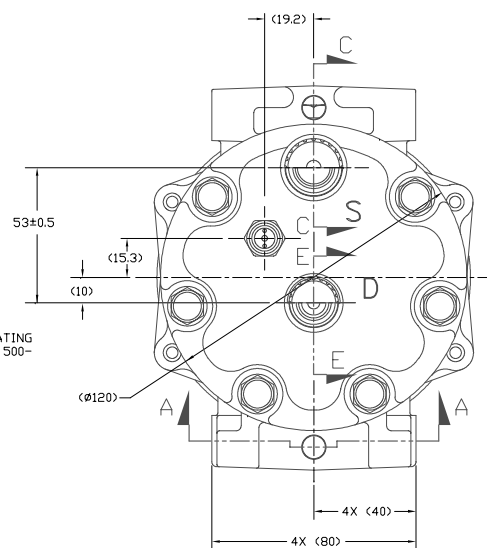
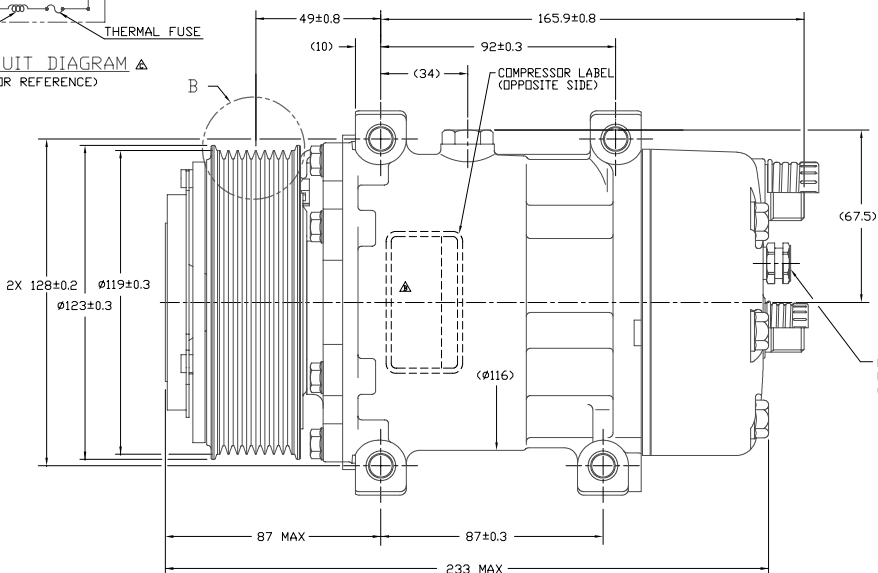
DETAIL B  
SCALE 2:1



SECTION C-C  
SCALE: 2:1  
(SECTION SHOWN WITH SEAL CAP REMOVED)



SECTION E-E  
SCALE: 2:1  
(SECTION SHOWN WITH SEAL CAP REMOVED)



SECTION A-A

COMPRESSOR SPECIFICATIONS (REF.)

DISPLACEMENT PER REVOLUTION	154.9 cc / rev. ( 9.5cu.in. / rev. )
MAXIMUM ALLOWABLE R.P.M.	8000 R.P.M.
MAXIMUM ALLOWABLE CONTINUOUS R.P.M.	6000 R.P.M.
REFRIGERANT	R134a
OIL ( SP-15 )	300 cc ( 10.1 fl.oz. )

CLUTCH SPECIFICATIONS (REF.)

RATED VOLTAGE	DC 12V
BREAKAWAY TORQUE	3.5 kgf-m min. @ 12V
MINIMUM ENGAGEMENT VOLTAGE	7.5V @ AIR GAP 0.6mm
POWER CONSUMPTION	49 watts max.
BELT TYPE	PV8 TYPE
MAXIMUM ALLOWABLE BELT TENSION	120 kgf
PULLEY DIAMETER	Ø119 mm ( 4.68 in. )
CLUTCH TYPE	HEAVY DUTY

NOTE:  
1. COMPRESSOR TO BE CHARGED WITH NITROGEN PRIOR TO SHIPPING WITHIN 0.2 TO 1.6 kg/cm<sup>2</sup>.

PNON	REV.	APPV DATE	REVISIONS	DWN	DSGN	CHK	APPV
	1		INITIAL RELEASE				
R00487	2	2/16/06	LABEL POSITION CORRECTED	J5	AA	DRL	AA
R00364	3	10/24/06	COL. BINDING 0432-6340 '0FZ' WAS 0432-6640 '06K'	J5	AA	DRL	AA

RELEASED FOR PRODUCTION DESIGN DEVELOPMENT PSON J Sokolowski APPV Dennis Lee 12/14/05 DATE: 12/16/05 RELEASED FOR DESIGN VALIDATION PSON Afonso Aranzabiz APPV NB DATE: 12/16/05 RELEASED FOR PRODUCTION VAL. 2 PSON Afonso Aranzabiz APPV NB DATE: 12/16/05 RELEASED FOR PRODUCTION PSON Afonso Aranzabiz APPV NB DATE: 12/16/05	<b>SANDEN</b> SANDEN INTERNATIONAL (USA), INC. This drawing and the information contained herein are CONFIDENTIAL and PROPRIETARY to Sanden International (U.S.A.), Inc. and shall not be used, copied, or disclosed to others without the written permission of Sanden International (U.S.A.), Inc. INTERPRETATION OF THIS DRAWING PER ASME Y14.5M-1994 THIRD ANGLE PROJECTION MATERIAL: NAME COMPRESSOR DWG. NO. 4391-6000 REV. C
---	--

DO NOT SCALE

16 15 14 13 12 11 10 9 8 7 6 5 4 3 2 1