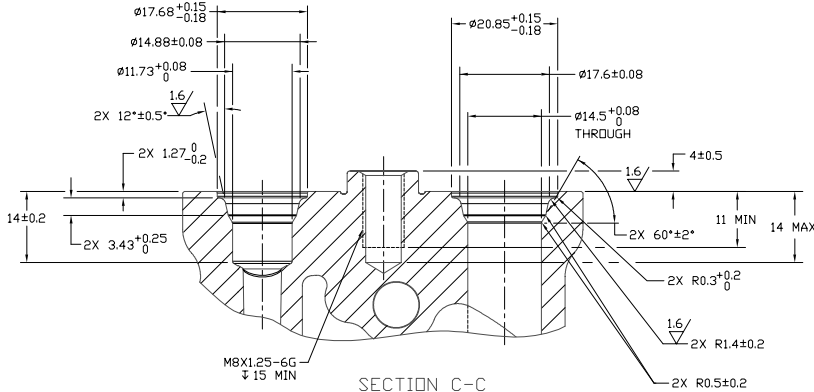
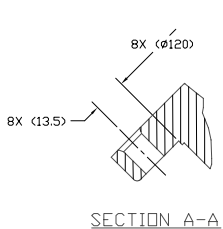
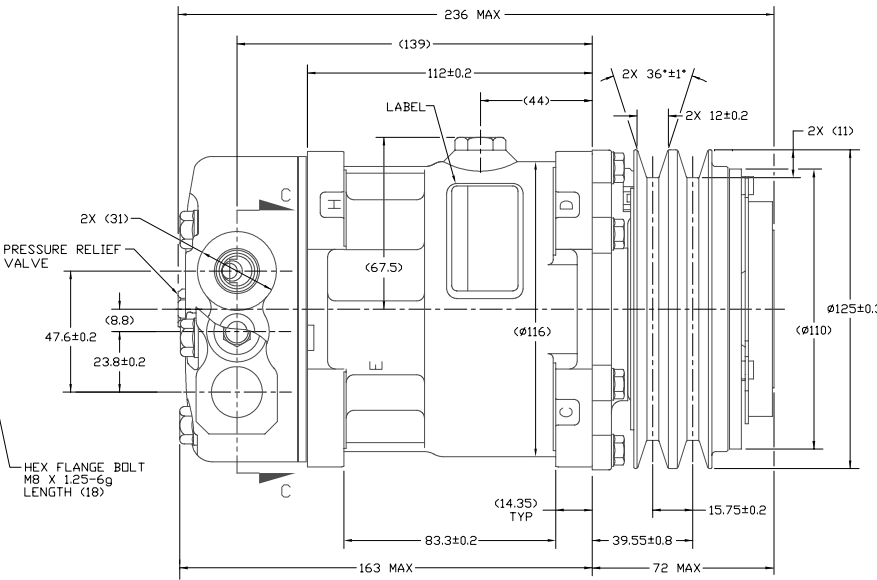
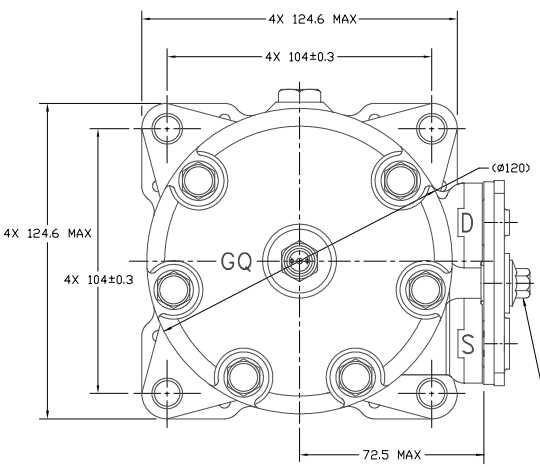
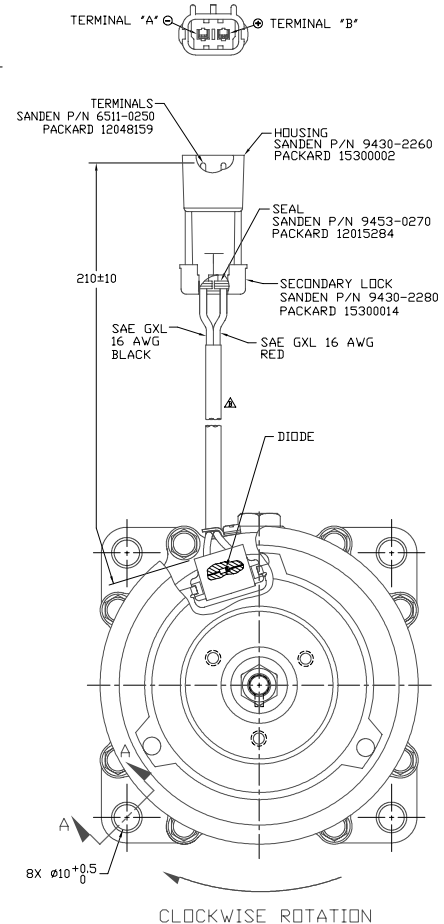
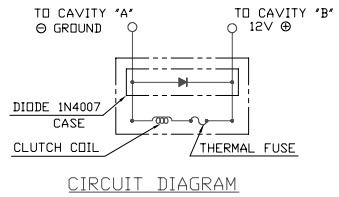


PCDN	REV	APPV DATE	REVISIONS		DWN	ESGN	CHK	APPV
			INITIAL ISSUE	REV. E				
8006285	A	12/15/06	6803-6040 FIELD COIL WAS 6463-6040	6400	JS	HF	DRL	YN



SECTION C-C  
SCALE 2:1  
(SHIPPING PAD AND BOLT REMOVED,  
SECTION ROTATED 90° CCW)



COMPRESSOR SPECIFICATIONS REF.

DISPLACEMENT PER REVOLUTION	1549 cc / rev. ( 9.5 in <sup>3</sup> / rev. )
MAXIMUM ALLOWABLE R.P.M.	8000 R.P.M.
MAXIMUM ALLOWABLE CONTINUOUS R.P.M.	6000 R.P.M.
REFRIGERANT	R134a
OIL (SP-15)	300 cc ( 10.1 fl. oz. )
CUSTOMER PART NUMBER	F69-6003-231

CLUTCH SPECIFICATIONS REF.

RATED VOLTAGE	DC 12V
BREAKAWAY TORQUE	3.5 kgf-m MIN. @ 12V
MINIMUM ENGAGEMENT VOLTAGE	7.5V @ AIR GAP 0.6mm
POWER CONSUMPTION	49 WATTS MAX.
BELT TYPE	A TYPE
MAXIMUM ALLOWABLE BELT TENSION	60 kgF PER BELT
PULLEY DIAMETER	Ø125mm ( 4.9 in. )
CLUTCH TYPE	HEAVY DUTY

NOTE:  
1. DIMENSIONS ARE TO VIRTUAL SHARP CORNERS UNLESS OTHERWISE SPECIFIED.  
2. COMPRESSOR TO BE CHARGED WITH NITROGEN PRIOR TO SHIPPING WITHIN 0.2 TO 1.6 kg/cm<sup>2</sup>.

DO NOT SCALE

RELEASED FOR BASIC DEVELOPMENT DESGN Jery Bobb 9/16/05 DWN J Skotarski CHK Dennis Lee 9/16/05 APPV NB DATE 9/16/05	RELEASED FOR DESIGN VALIDATION DESGN Jery Bobb 2/3/06 APPV NB / YN DATE 2-18-06 / 2-18-06	RELEASED FOR PRODUCTION VAL. 2 DESGN Jery Bobb 2/3/06 APPV NB / YN DATE 2-18-06 / 2-18-06	RELEASED FOR PRODUCTION DESGN Jery Bobb 2/3/06 APPV NB / YN DATE 2-18-06 / 2-18-06	<b>SANDEN</b> SANDEN INTERNATIONAL CORPORATION, INC. DRAWN SCALE REF 1:1 PLOTTED SCALE REF 1:1 METRIC This drawing and the information contained herein are CONFIDENTIAL and PROPRIETARY to Sanden International (U.S.A.), Inc. and shall be used, copied, or disclosed to others without the written permission of Sanden International (U.S.A.), Inc. INTERPRETATION OF THIS DRAWING PER ASME Y14.5M-1994 THIRD ANGLE PROJECTION MATERIAL: NAME <b>COMPRESSOR</b> DWG. NO. <b>4383-6000</b> REV <b>B</b>
---	--	--	---	---