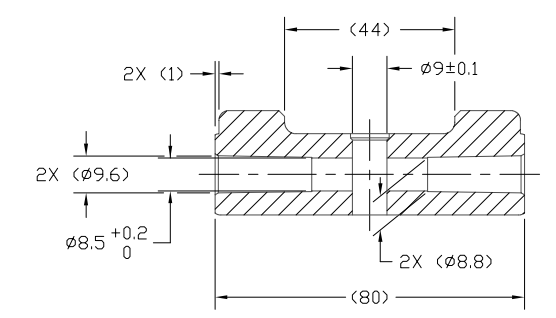
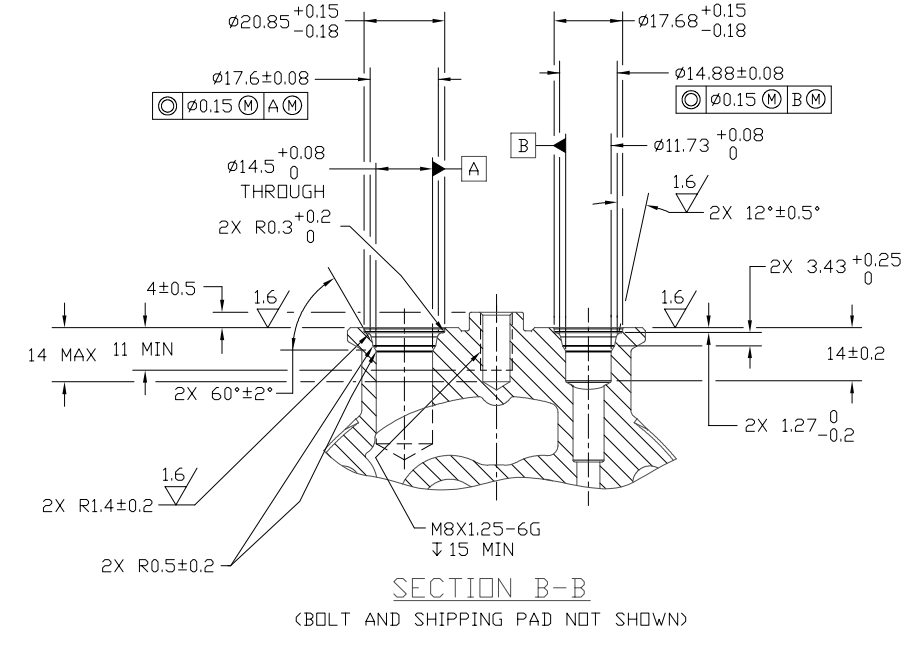
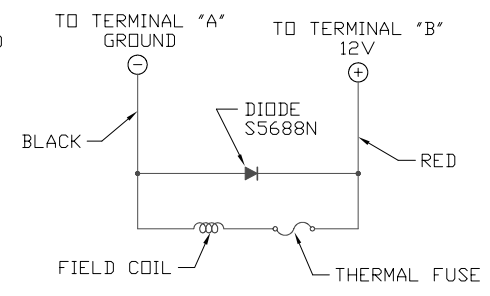
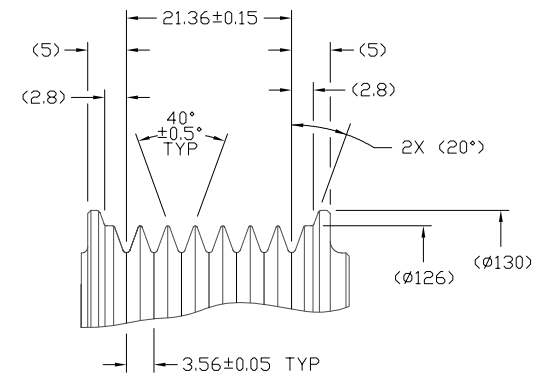
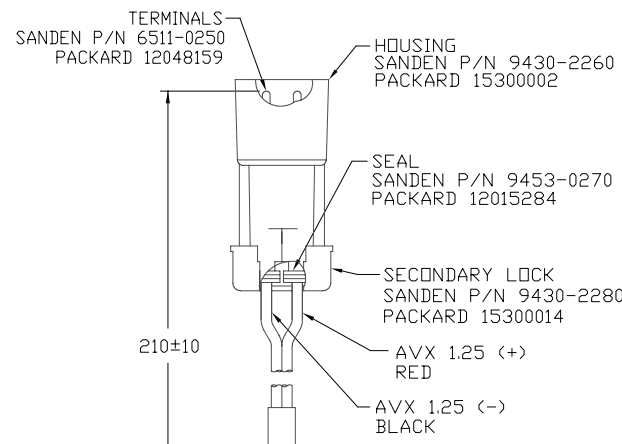
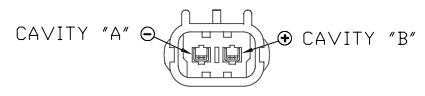
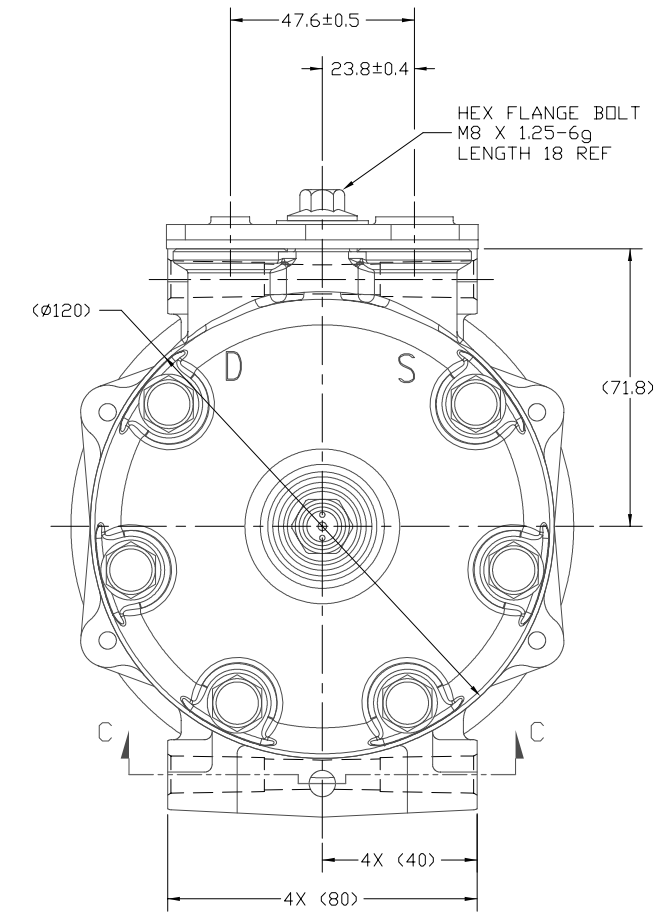
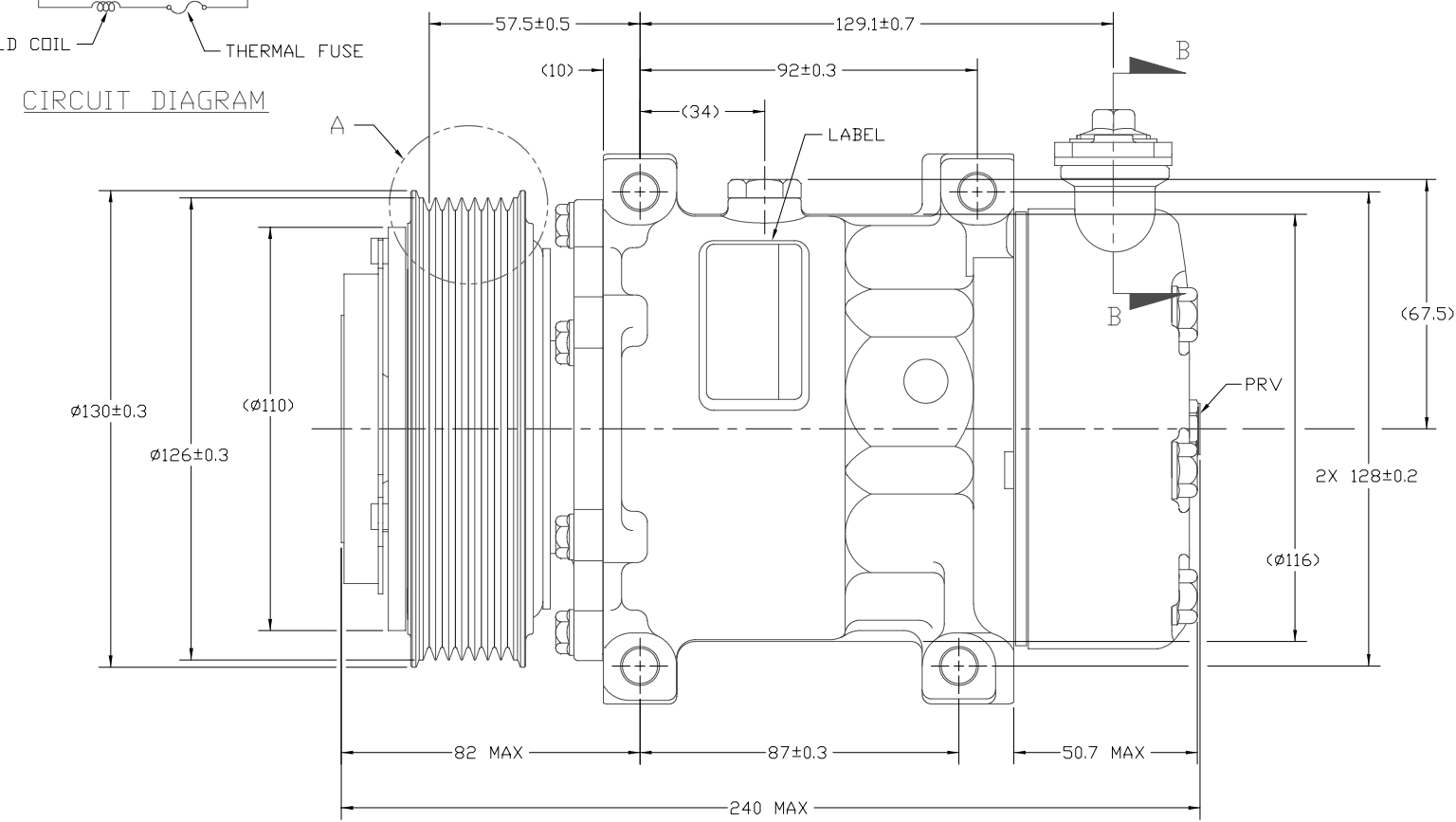
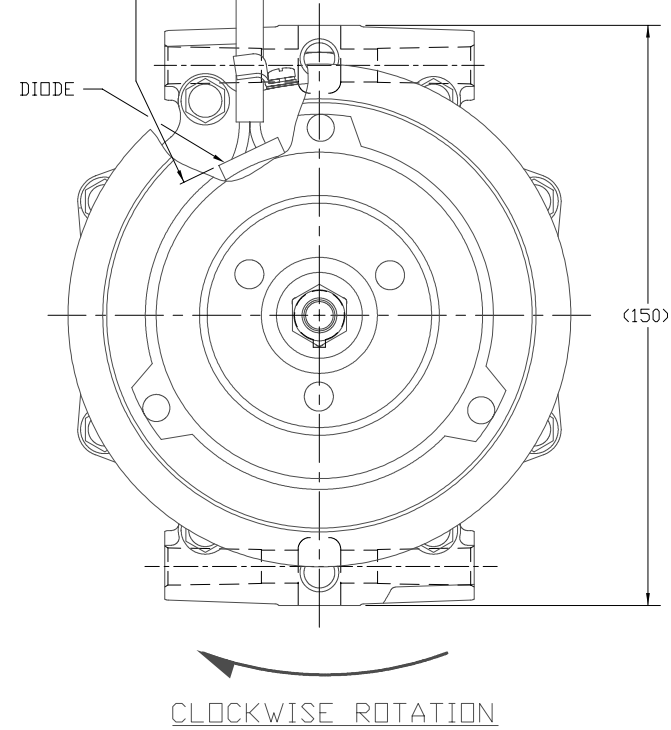


PDCN	REV.	APPV DATE	REVISIONS	DWN	DSGN	CHK	APPV
			INITIAL ISSUE				



SECTION C-C
4 PLACES



COMPRESSOR SPECIFICATIONS (REF)

DISPLACEMENT PER REVOLUTION	154.9 cc/rev. (9.5 cu.in./rev.)
MAXIMUM ALLOWABLE R.P.M.	8000 R.P.M.
MAXIMUM ALLOWABLE CONTINUOUS R.P.M.	6000 R.P.M.
REFRIGERANT	R134a
OIL (SP-15)	300 cc (10.1 fl.oz.)

CLUTCH SPECIFICATIONS (REF)

RATED VOLTAGE	DC 12V
BREAKAWAY TORQUE	3.5 kgf-m min. @ 12V
MINIMUM ENGAGEMENT VOLTAGE	7.5V @ AIR GAP 0.6mm REF
POWER CONSUMPTION	42 Watts MAX.
BELT TYPE	PV7 TYPE
MAXIMUM ALLOWABLE BELT TENSION	120 kgf
PULLEY DIAMETER	Ø126 mm (4.96 in.)
CLUTCH TYPE	HEAVY DUTY

NOTES:

- CLEANLINESS:
TOTAL AMOUNT OF FOREIGN MATERIAL SHALL NOT EXCEED 30mg.
MAXIMUM EACH SIZE 0.5x0.5x1.0mm
- ENGINEERING STANDARD SES-CC-218.
- COMPRESSOR TO BE CHARGED WITH NITROGEN PRIOR TO SHIPPING WITHIN 0.2 TO 1.6 kg/cm².

DO NOT SCALE

REV. LEVEL	RELEASED FOR: ENGG. DEVELOPMENT	<p>SANDEN INTERNATIONAL (U.S.A.), INC.</p>	<p>SCALE REF 1:1 PLOTTED SCALE REF 1:1 METRIC</p>
DWN	A. Armendariz		
CHK	R. Rodriguez	<p>INTERPRETATION OF THIS DRAWING PER ASME Y14.5M-1994</p>	<p>THIRD ANGLE PROJECTION</p>
APPV. DATE	18-Oct-06		
REV. LEVEL	RELEASED FOR: DESIGN VALIDATION	<p>MATERIAL: -</p>	<p>NAME: COMPRESSOR</p>
DWN	A. Armendariz		
APPV. DATE	18-Oct-06	<p>DWG. NO. 4379-6000</p>	<p>REV. A</p>
REV. LEVEL	RELEASED FOR: PRODUCTION		
DWN	A. Armendariz		