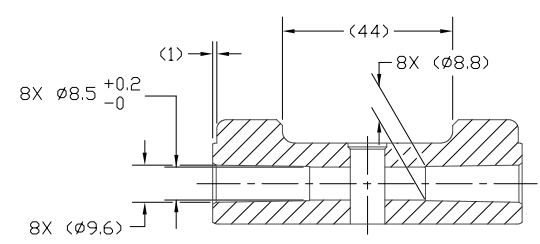
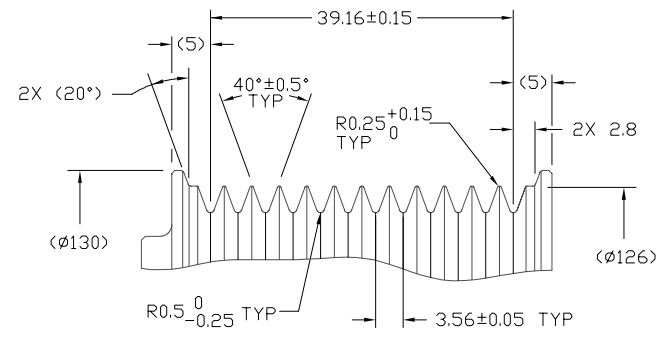


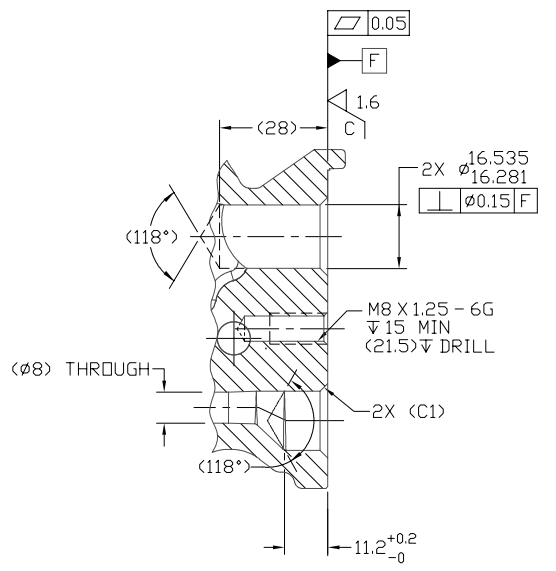
PDCN	REV.	APPV DATE	REVISIONS	DWN	DSGN	CHK	APPV
2006318	A	10/06/06	INITIAL ISSUE	RSR	AA	DRL	AA
			FIELD COIL PART NUMBER: 0432-6340 WAS 0432-6040				



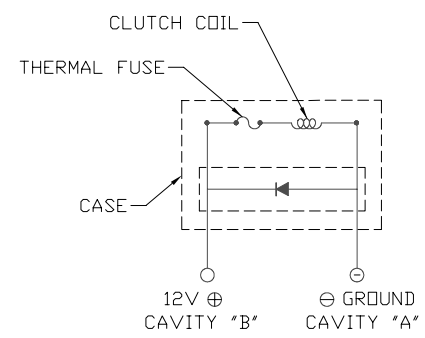
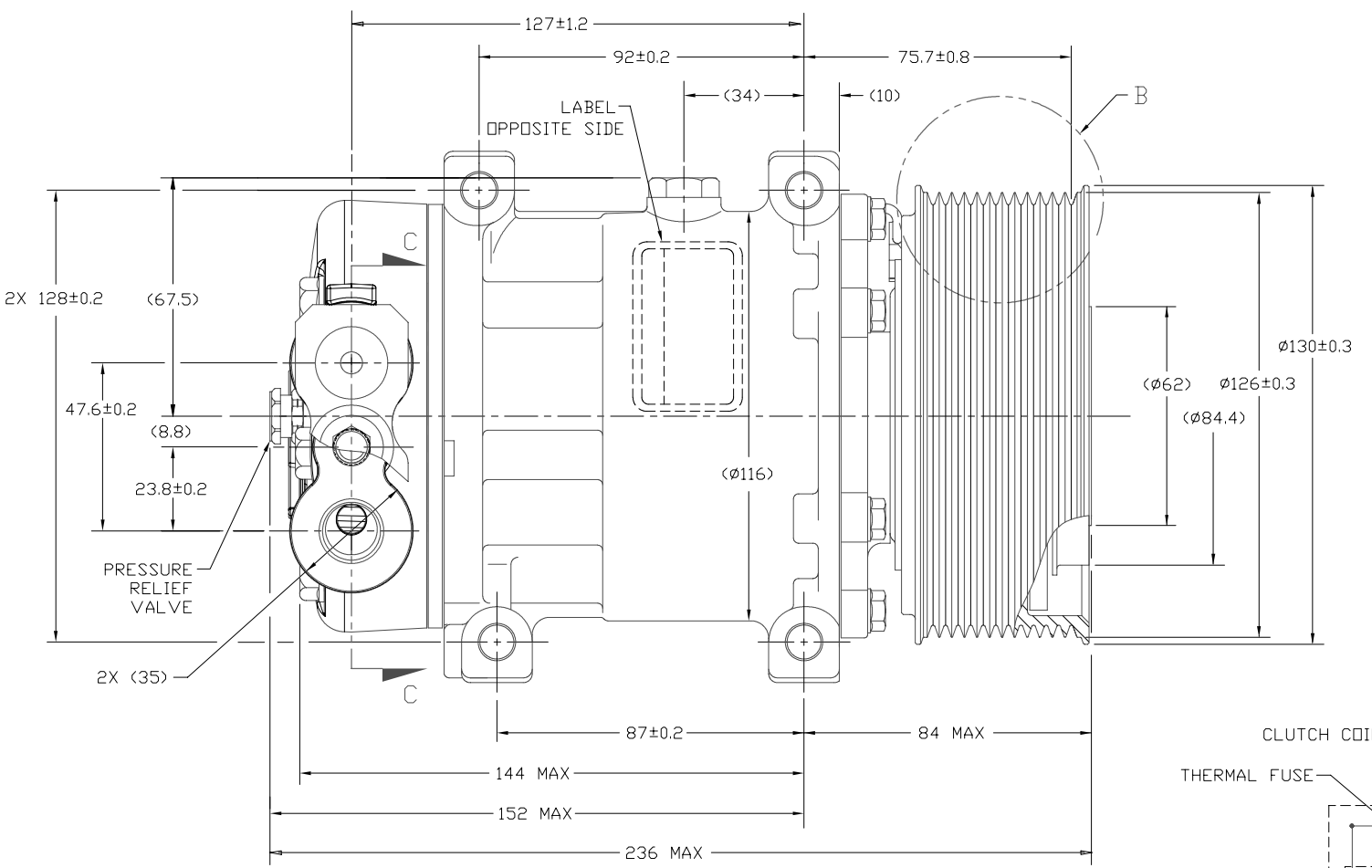
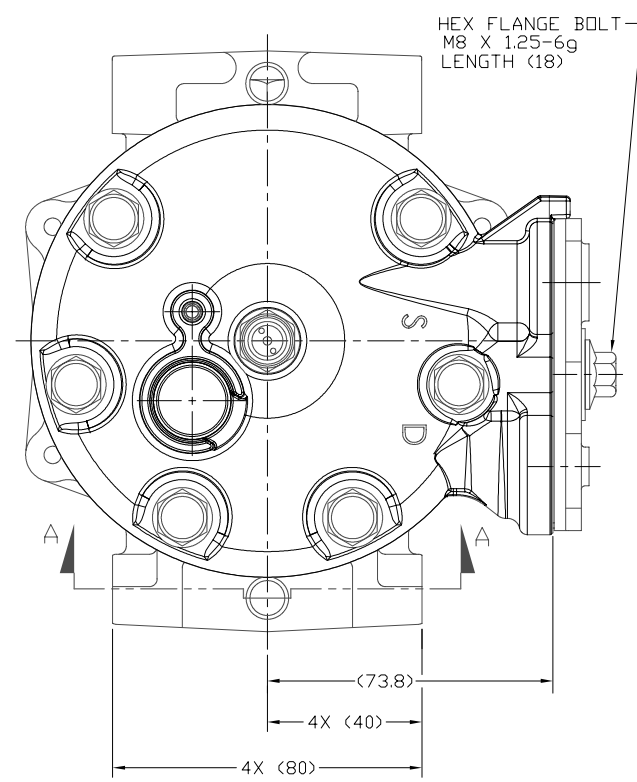
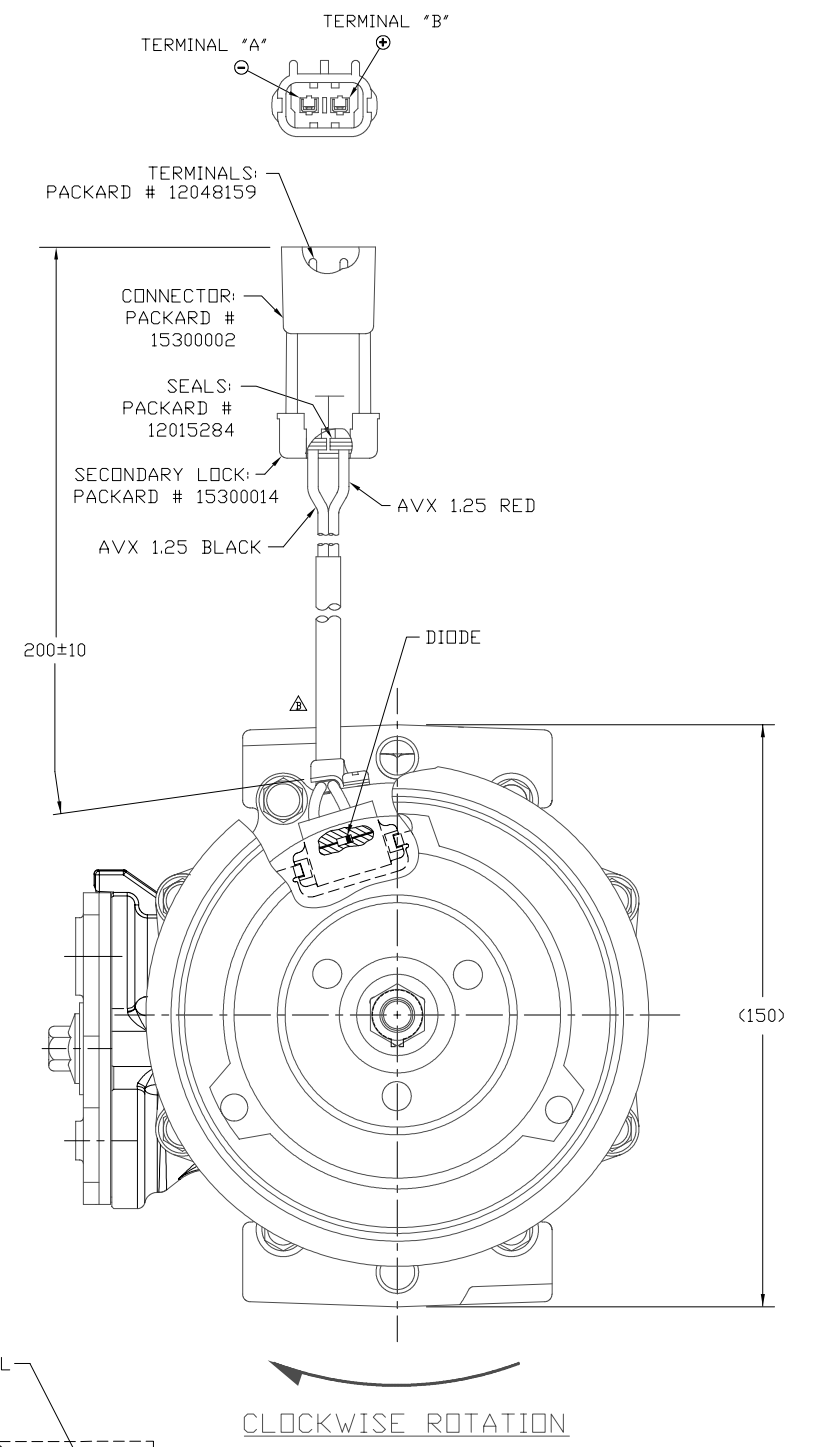
SECTION A-A



DETAIL B  
SCALE 2:1



SECTION C-C  
(SHIPPING PAD AND BOLT REMOVED)



NOTE:  
1. DIMENSIONS ARE TO VIRTUAL SHARP CORNERS UNLESS OTHERWISE SPECIFIED.

COMPRESSOR SPECIFICATIONS (REF)

DISPLACEMENT PER REVOLUTION	154.9 cc / rev. ( 9.5cu.in. / rev. )
MAXIMUM ALLOWABLE R.P.M.	8000 R.P.M.
MAXIMUM ALLOWABLE CONTINUOUS R.P.M.	6000 R.P.M.
REFRIGERANT	R134a
OIL ( SP-15 )	300 cc ( 10.1 fl.oz. )
WEIGHT	8.1 kgf ( 17.9 lb. )
PRV OPENING PRESSURE RANGE	508 - 595 PSIG

CLUTCH SPECIFICATIONS (REF)

RATED VOLTAGE	DC 12V
BREAKAWAY TORQUE	3.5 kgf-m min. @ 12V
MINIMUM ENGAGEMENT VOLTAGE	7.5V @ AIR GAP 0.6mm
POWER CONSUMPTION	42 watts max.
BELT TYPE	PV12
MAXIMUM ALLOWABLE BELT TENSION	120 kgf
PULLEY DIAMETER	Ø126 mm ( 4.96 in. )
CLUTCH TYPE	HEAVY DUTY

DO NOT SCALE

REV. LEVEL	RELEASED FOR: ENGG. DEVELOPMENT	<p>SANDEN INTERNATIONAL ( U.S.A. ), INC.</p>
DWN	Shupa Nagard 7/18/06	
CHK	DRL	DRAWN SCALE REF 1:1 PLOTTED SCALE REF 1:1 METRIC
APPV.	N. Burns	<p>This drawing and the information contained hereon are CONFIDENTIAL and PROPRIETARY to Sanden International (U.S.A.), Inc., are received in CONFIDENCE and shall not be used, copied, or disclosed to others without the written permission of Sanden International (U.S.A.), Inc.</p>
APPV. DATE	8-4-06	
REV. LEVEL	RELEASED FOR: DESIGN VALIDATION	INTERPRETATION OF THIS DRAWING PER ASME Y14.5M-1994
DWSN	C Wolff	THIRD ANGLE PROJECTION
APPV.	EMA	SIZE D
APPV. DATE	9-18-06	
REV. LEVEL	RELEASED FOR: PRODUCTION VAL'D.	MATERIAL:
DWSN	C Wolff	
APPV.	EMA	NAME
APPV. DATE	9-18-06	COMPRESSOR
REV. LEVEL	RELEASED FOR: PRODUCTION	DWG. NO.
DWSN		4378-6000
APPV.		REV
APPV. DATE		B