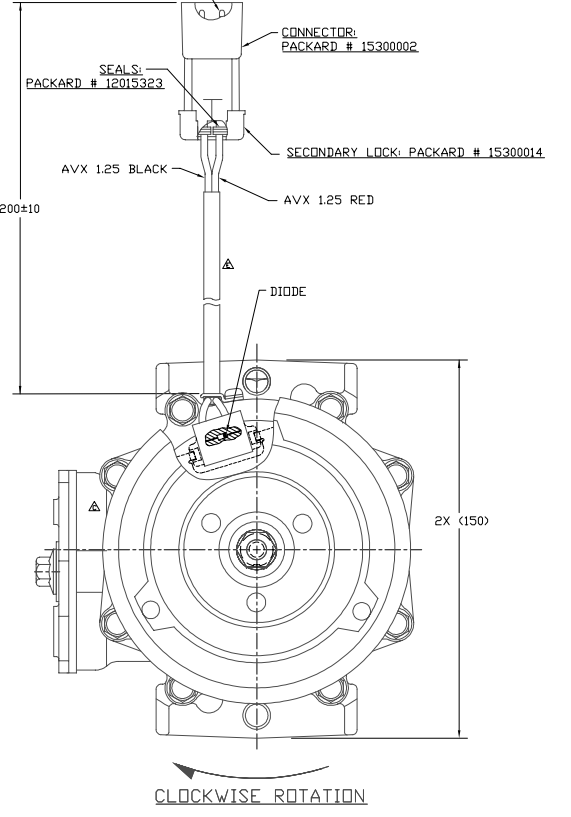
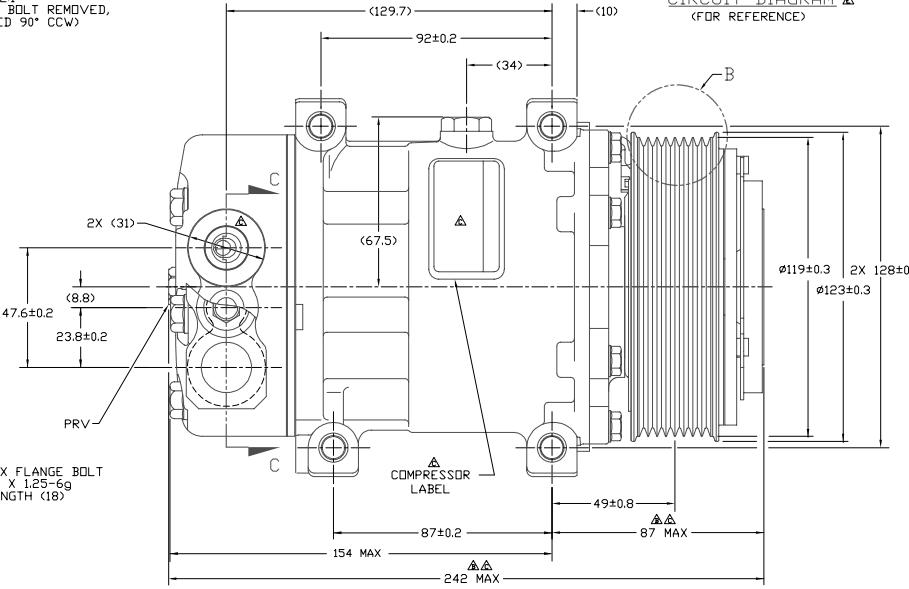
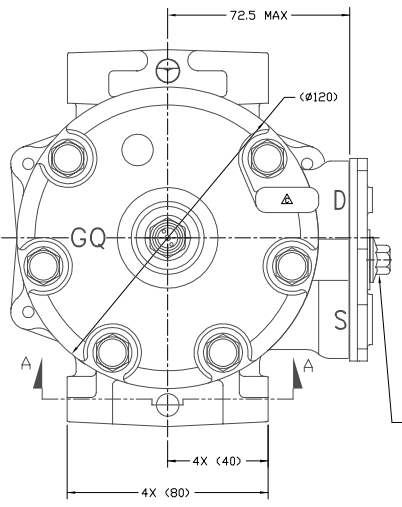


REV	REV	APPV	DATE	REVISIONS	DRN	ISSN	CHK	APPV
000199	Δ		7/27/05	INITIAL RELEASE REV. DWG. NO. 4368-6000 REV. B. 82 MAX WAS 87 MAX. 237 MAX WAS 242 MAX.	JS	JB	HF	NB
000382	Δ		11/7/05	87 MAX WAS 82 MAX. 242 MAX WAS 237 MAX. MOTOR ASST. WAS 4456-6000 REV. A COMPRESSOR LABEL WAS COMPRESSOR LABEL OPPOSITE SIDE. UPDATED VIEW OF CYLINDER HEAD	JS	JB	DRL	NB
000600	Δ		01/26/06	ADDED NITROGEN CHARGE NOTE	RSR	JB	AL/NB	JV/OF
000634	Δ		10/24/06	COIL WINDING 0432-6340 "6FZ" WAS 14-22-5640 "52C"	JS	AA	DRL	AA

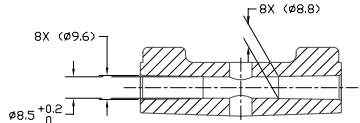


COMPRESSOR SPECIFICATIONS (REF)

DISPLACEMENT PER REVOLUTION	154.9 cc / rev. ( 9.5cu.in. / rev. )
MAXIMUM ALLOWABLE R.P.M.	8000 R.P.M.
MAXIMUM ALLOWABLE CONTINUOUS R.P.M.	6000 R.P.M.
REFRIGERANT	R134a
OIL ( SP-15 )	300 cc ( 10.1 floz. )

CLUTCH SPECIFICATIONS (REF)

RATED VOLTAGE	DC 12V
BREAKAWAY TORQUE	3.5 kgF-m min. @ 12V
MINIMUM ENGAGEMENT VOLTAGE	7.5V @ AIR GAP 0.6mm
POWER CONSUMPTION	49 watts max.
BELT TYPE	PV8 TYPE
MAXIMUM ALLOWABLE BELT TENSION	120 KgF
PULLEY DIAMETER	Ø119mm (4.69 in.)
CLUTCH TYPE	HEAVY DUTY



SECTION A-A

NOTE:  
1. NITROGEN CHARGE TO 0.9±0.7 Kg/cm<sup>2</sup>

DO NOT SCALE

REV. LEVEL	RELEASED FOR SCALE DEVELOPMENT	<p>SANDEN INTERNATIONAL (U.S.A.) INC.</p> <p>SCALE REF 1:1 METRIC</p> <p>DATE: 6/22/05</p> <p>APPROV. N Burns</p> <p>DATE: 11/7/05</p> <p>APPROV. N Burns</p> <p>DATE: 11/7/05</p> <p>APPROV. N Burns</p> <p>DATE: 11/7/05</p> <p>APPROV. N Burns</p> <p>DATE: 11/7/05</p>	<p>NAME: COMPRESSOR</p> <p>DWG. NO. 4368-6000</p> <p>REV. E</p>
A	APPROV. N Burns		
C	APPROV. N Burns		
C	APPROV. N Burns		
C	APPROV. N Burns		