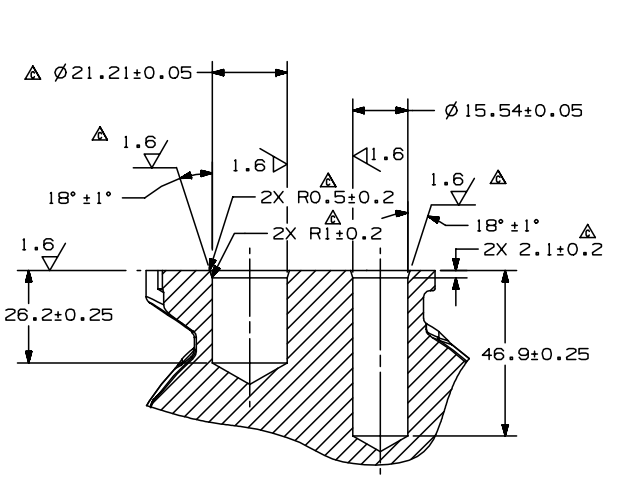
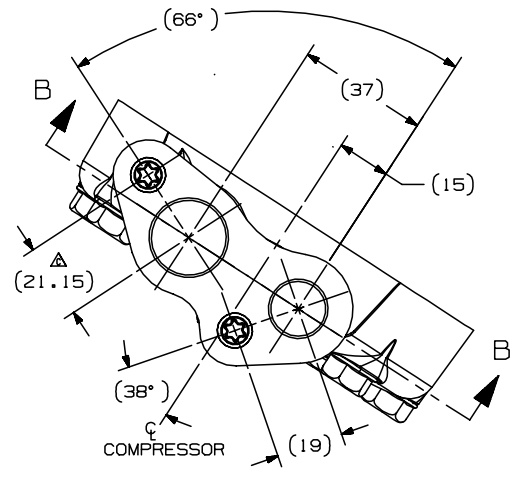


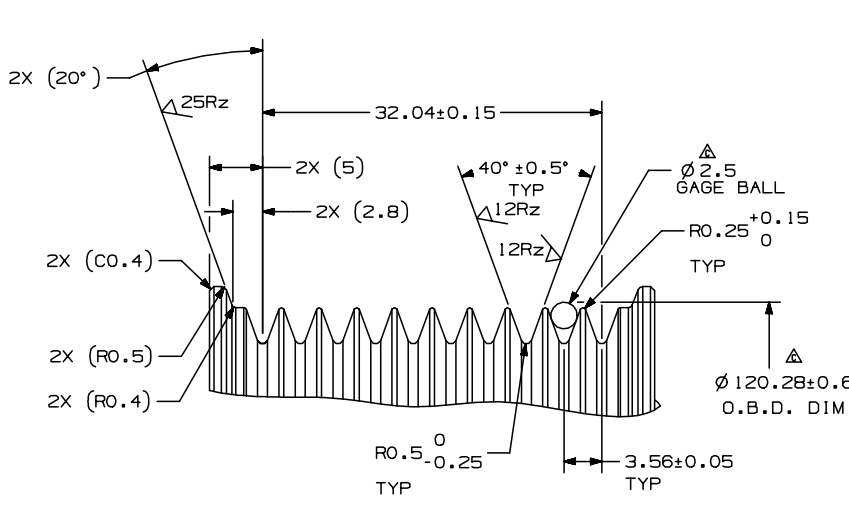
POCN	REV.	APPV	DATE	REVISIONS	DWN	DSGN	CHK	APPV
2006178	Δ			INITIAL ISSUE				
2006178	Δ		7/5/08	UPDATED VIEWS OF BLOCK AND CYLINDER HEAD	JS	AA	DRL	NB
2008229	Δ			REMOVED "DIODE INSIDE"; "CORRUGATED TUBE"				
2008328	Δ			ADDED 2X R0.5±0.2, 2X R1±0.2, 2X 2.1±0.2, "COMPRESSOR SHIPPED..."				
				ADDED 2X R0.5±0.2, 2X R1±0.2, 2X 2.1±0.2, "COMPRESSOR SHIPPED..."				
				ADDED 2X R0.5±0.2, 2X R1±0.2, 2X 2.1±0.2, "COMPRESSOR SHIPPED..."				
				ADDED 2X R0.5±0.2, 2X R1±0.2, 2X 2.1±0.2, "COMPRESSOR SHIPPED..."				
2008413	Δ			SECTION B-B WAS SECTION A-A	JS	AA	DRL	AA
				1.6 WAS 1.8				
				1.6 WAS 1.8				



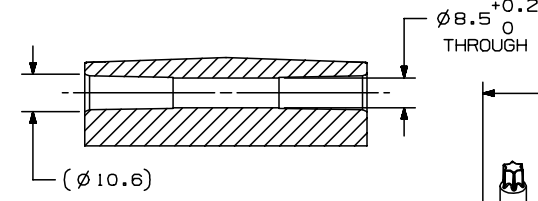
SECTION B-B
ROTATED 33° CCW



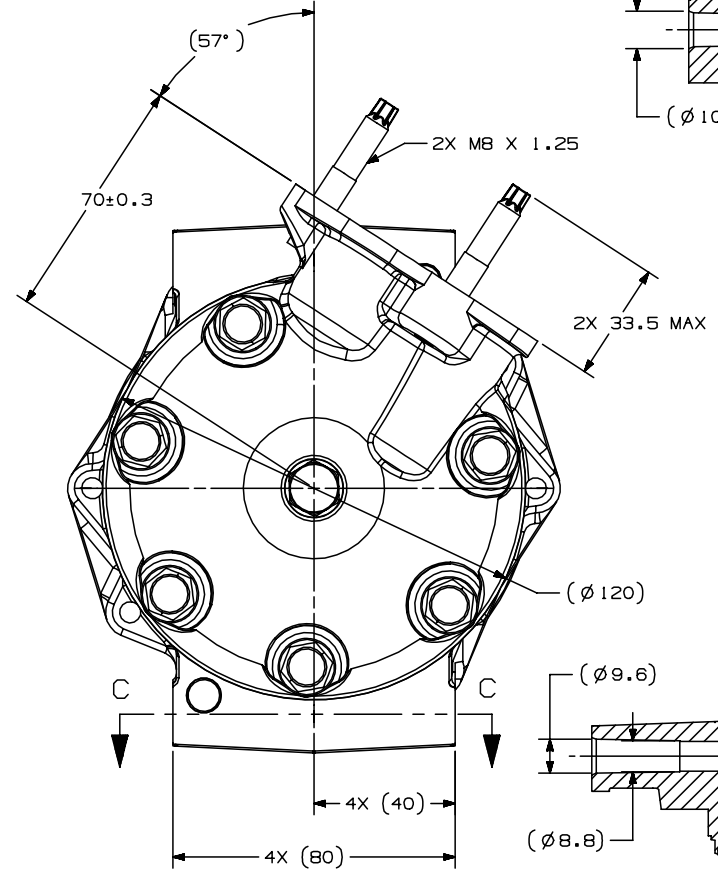
Δ (COMPRESSOR SHIPPED WITH SHIPPING PADS, SPACERS, AND PAD NUTS ON PART)



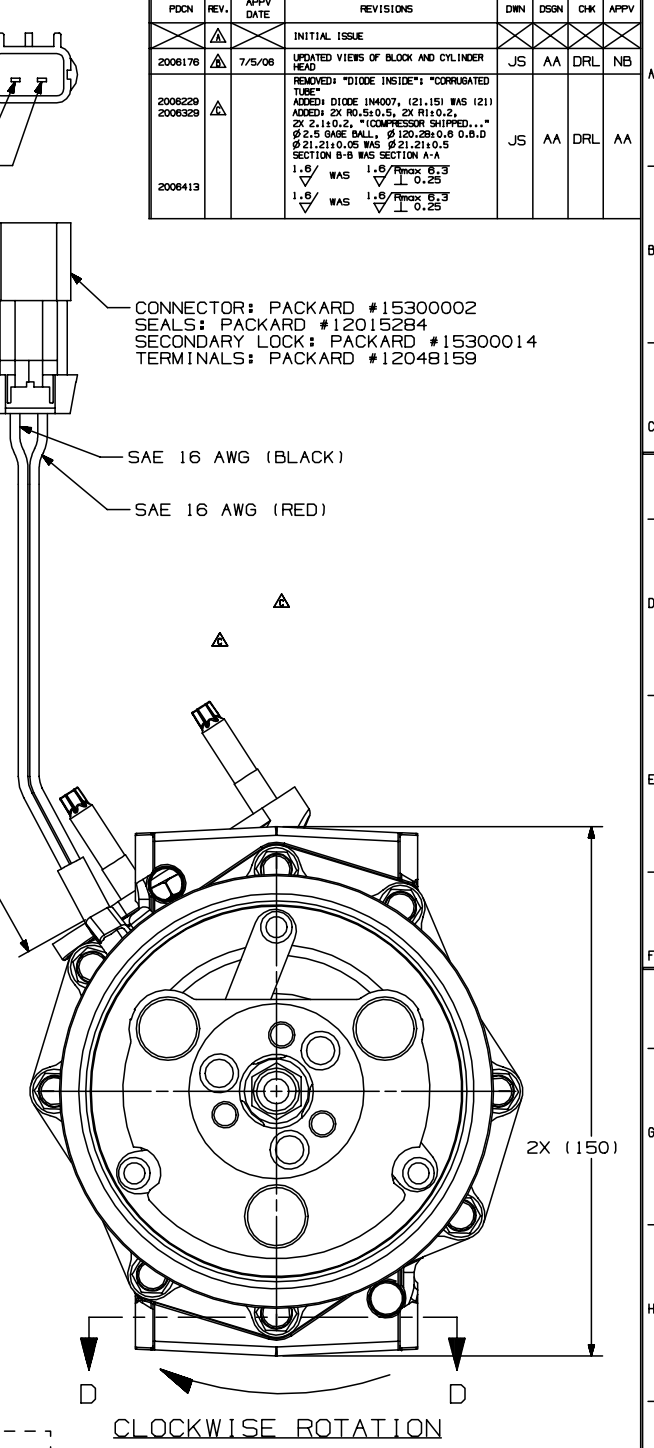
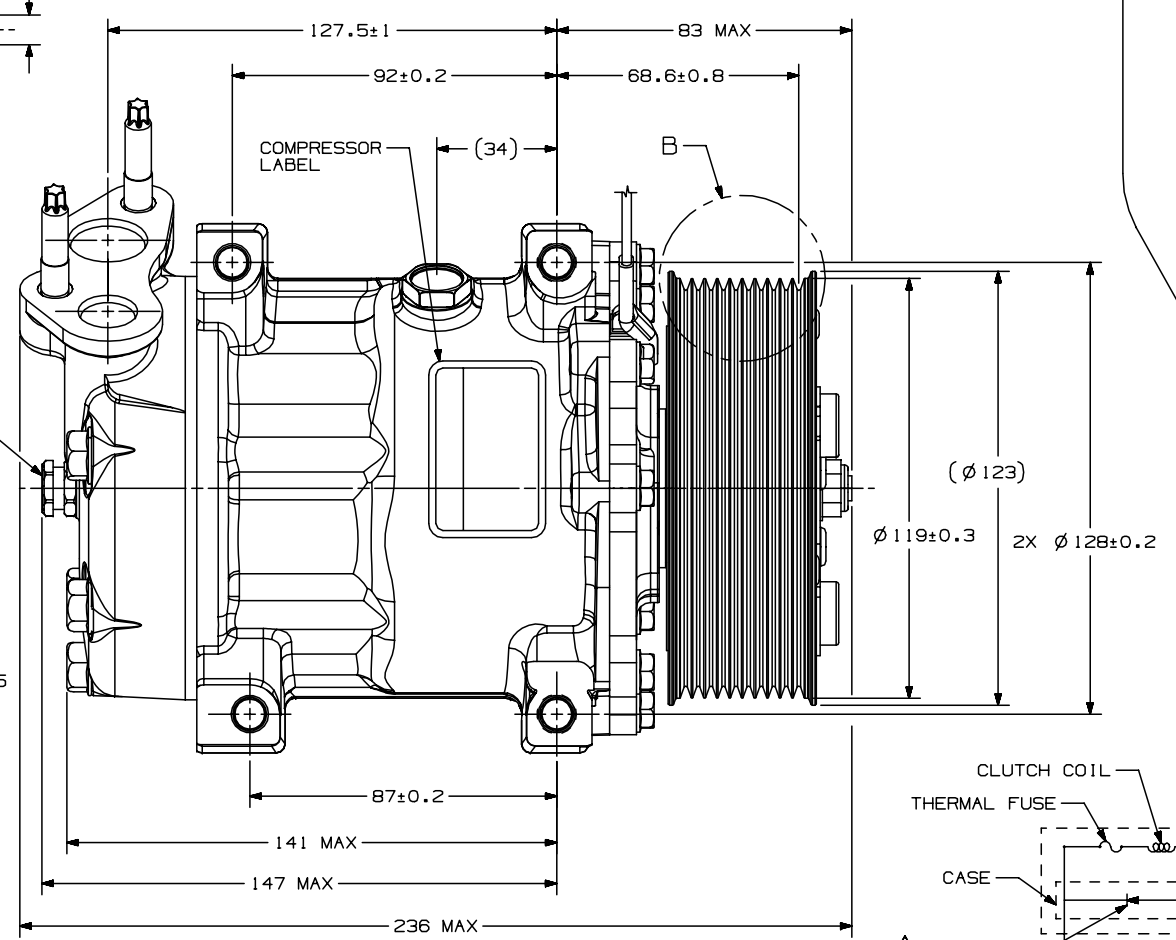
DETAIL B
SCALE - 3:1



SECTION C-C
REAR MOUNTING HOLE
2 PLACES



SECTION D-D
FRONT MOUNTING HOLE
2 PLACES



REV. LEVEL	RELEASED FOR:	DESIGN DEVELOPMENT	DSGN	DATE	SCALE	REF	PLOTTED	SCALE	REF	METRIC
A	R. Rodriguez	7/5/08								
B	A. Armandoriz	7/5/08								
B	A. Armandoriz	7/5/08								

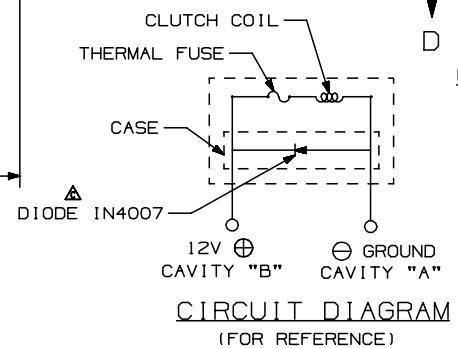
<p>INTERNATIONAL PART NUMBER: 3611894C91</p>	
<p>DO NOT SCALE</p>	<p>COMPRESSOR, SD7H15, ENHANCED CAPACITY</p>
<p>DWG. NO. 4347-6000</p>	<p>REV. C</p>

COMPRESSOR SPECIFICATIONS (REF)

DISPLACEMENT PER REVOLUTION	154.9 cc/rev. (9.5cu.in./rev.)
MAXIMUM ALLOWABLE R.P.M.	8000 R.P.M.
MAXIMUM ALLOWABLE CONTINUOUS R.P.M.	6000 R.P.M.
REFRIGERANT	R134a
OIL (SP-15)	300 cc (10.1 fl.oz.)

CLUTCH SPECIFICATIONS (REF)

RATED VOLTAGE	DC 12V
BREAKAWAY TORQUE	3.5 kgf-m min. @ 12V
MINIMUM ENGAGEMENT VOLTAGE	7.5V max @ AIR GAP 0.6mm
POWER CONSUMPTION	49 watts max.
BELT TYPE	PV10 TYPE
MAXIMUM ALLOWABLE BELT TENSION	120 kgf
PULLEY DIAMETER	Ø119 mm (4.68 in.)
CLUTCH TYPE	HEAVY DUTY



INTERNATIONAL PART NUMBER: 3611894C91