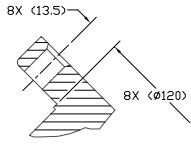
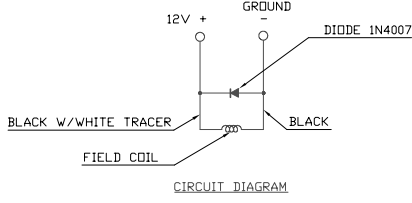


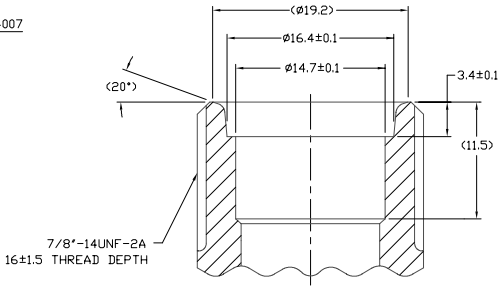
16 15 14 13 12 11 10 9 8 7 6 5 4 3 2 1



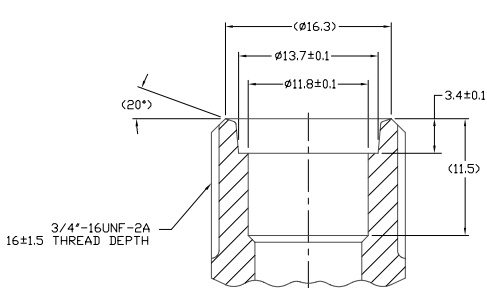
SECTION A-A



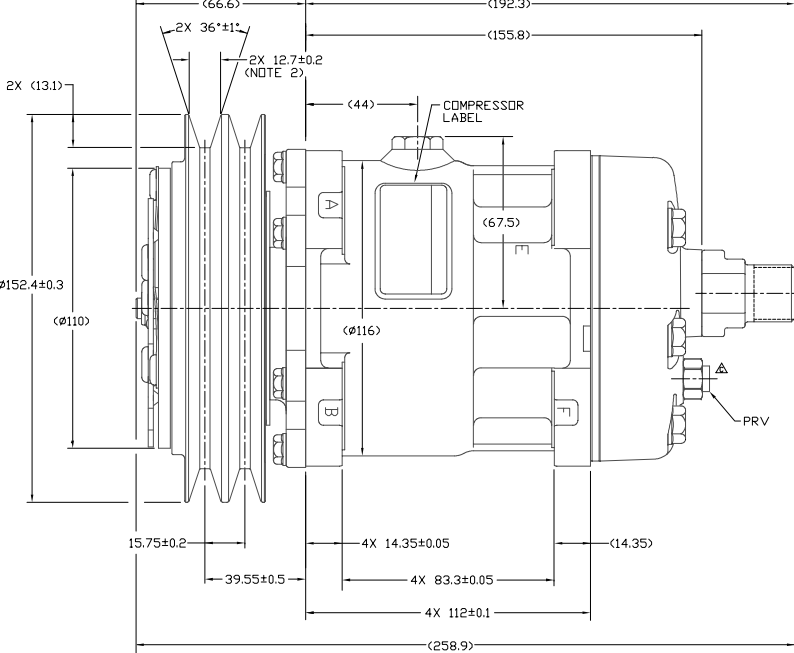
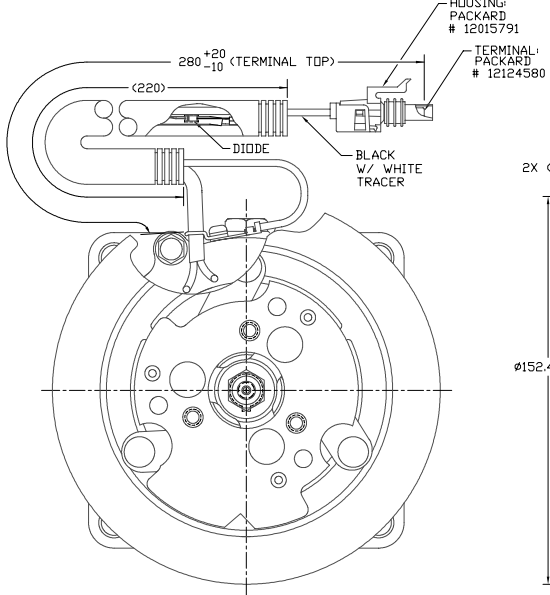
CIRCUIT DIAGRAM



SECTION B-B
SCALE 4:1



SECTION C-C
SCALE 4:1



CLUTCH SPECIFICATIONS (REF)

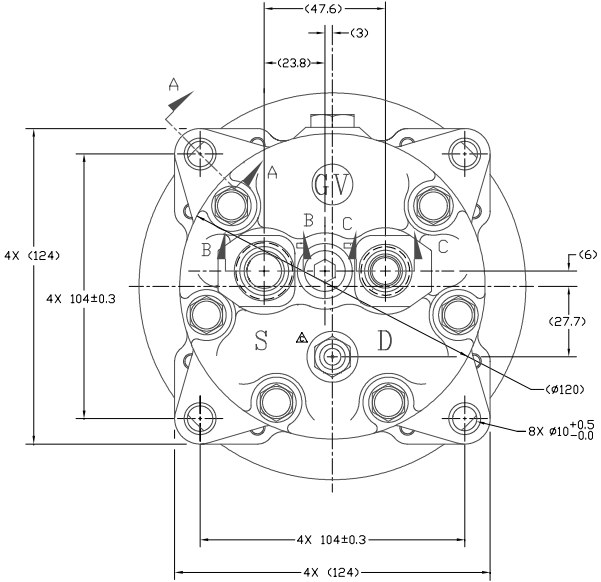
RATED VOLTAGE	DC 12V
BREAKAWAY TORQUE	3.5 kgf-n MIN. @ 12V
MINIMUM ENGAGEMENT VOLTAGE	7.5V @ AIR GAP 0.6mm
POWER CONSUMPTION	43 watts max.
BELT TYPE	A TYPE
MAXIMUM ALLOWABLE BELT TENSION	60 kgf per belt
PULLEY DIAMETER	Ø152 mm (5.98 in.)
CLUTCH TYPE	HEAVY DUTY

COMPRESSOR SPECIFICATIONS (REF)

DISPLACEMENT PER REVOLUTION	154.9 cc / rev. (9.5 cuin. / rev.)
MAXIMUM ALLOWABLE SPEED	7000 R.P.M.
MAXIMUM ALLOWABLE CONTINUOUS SPEED	6000 R.P.M.
REFRIGERANT	R134a
OIL (SP-15)	135 cc (4.56 floz.)
WEIGHT	8.82 kg

- NOTE:
 1. SHIPPING CAPS NOT SHOWN.
 2. DIMENSIONS ARE TO VIRTUAL SHARP CORNERS UNLESS OTHERWISE SPECIFIED.

PBCH	REV.	APPV DATE	REVISIONS	DWN	ESGN	CHK	APPV
			INITIAL RELEASE REF. DRAW. ADDS-A-6000 REV. A				
2064148	Δ	5/19/06	REMOVED JUMPER WITH NOTE	JS	JW	DRL	NB
2066310	Δ	12/27/06	REV 4307-6470 WAS 4967-6470	JS	JW	DRL	RM



REV. LEVEL	RELEASED FOR DESIGN DEVELOPMENT	SCALE	1:1	PLOTTED	SCALE	1:1	METRIC
DRAWN	J. Solocardi	DATE	2/10/04	DESIGN VALIDATION	DATE	2/16/04	PRODUCTION VAL. DATE
REV. LEVEL	RELEASED FOR PRODUCTION	DATE	2/16/04	DATE	6/16/06	MATERIAL: ϕ \llcorner	
<p>DO NOT SCALE</p> <p>COMPRESSOR</p> <p>DWG. NO. 4308-6000</p> <p>REV. C</p>							

16 15 14 13 12 11 10 9 8 7 6 5 4 3 2 1