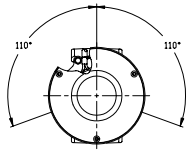
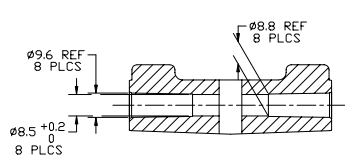


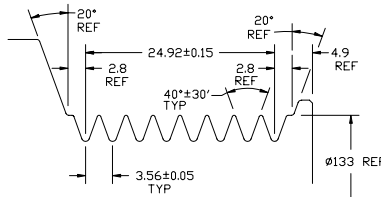
PKCN	REV.	APPV. DATE	REVISIONS	DWN	ESGN	CHK	APPV.
			INITIAL ISSUE				



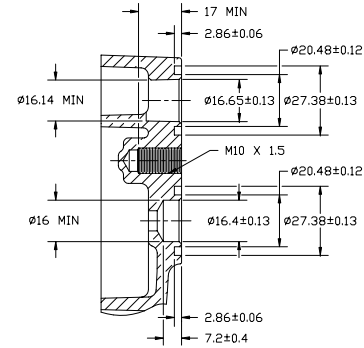
MOUNTING WINDOW



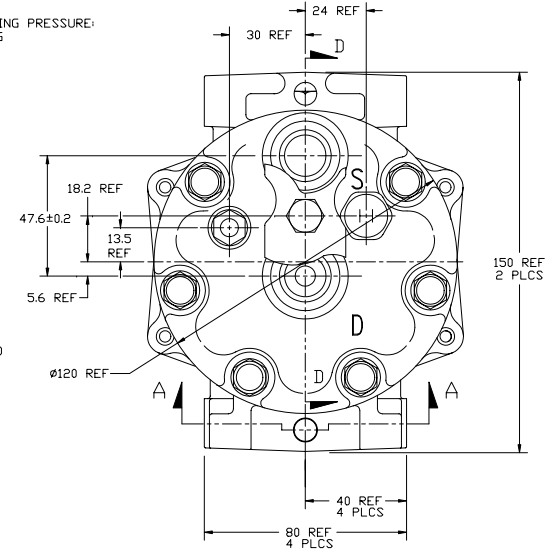
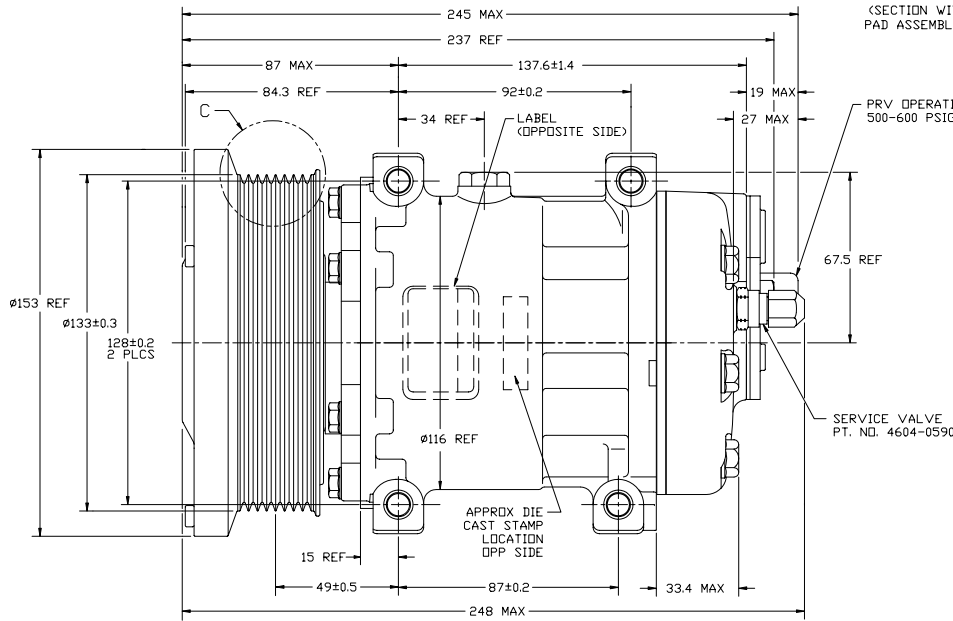
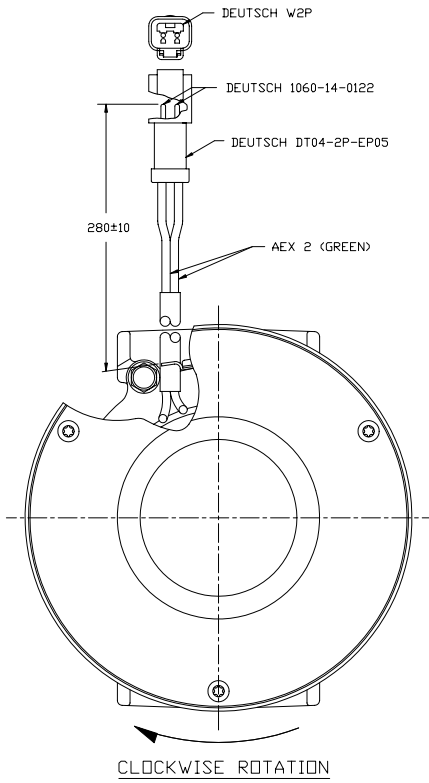
SECTION A-A



DETAIL C  
SCALE: 3:1



SECTION D-D  
(SECTION WITH O-RINGS, SHIPPING PAD ASSEMBLY, AND BOLT REMOVED)



COMPRESSOR SPECIFICATIONS

DISPLACEMENT PER REVOLUTION	154.9 cc / rev. ( 9.5 cu. in./rev. )
MAXIMUM ALLOWABLE R.P.M.	4000 R.P.M.
MAXIMUM ALLOWABLE CONTINUOUS R.P.M.	4000 R.P.M.
REFRIGERANT	R134a
OIL ( SP-15 )	300 cc ( 10.1 fl. oz. )
WEIGHT	9.0 kg ( 19.7 lb. )

CLUTCH SPECIFICATIONS

RATED VOLTAGE	DC 24V
BREAKAWAY TORQUE	3.5 kgf-m min. @ 24V
MINIMUM ENGAGEMENT VOLTAGE	16V @ AIR GAP 0.6mm REF
POWER CONSUMPTION	34 watts max.
BELT TYPE	PV8 TYPE
MAXIMUM ALLOWABLE BELT TENSION	120 kgf
PULLEY DIAMETER	133mm ( 5.2 in. )
CLUTCH TYPE	SEALED HEAVY DUTY

REV. LEVEL	RELEASED FOR:	DATE	DESCRIPTION
A	DESIGN DEVELOPMENT	02/27/09	REVISED
A	DESIGN VALIDATION	04/29/09	REVISED
A	RELEASED FOR PRODUCTION	06/29/09	REVISED

**SANDEN**  
SANDEN INTERNATIONAL (U.S.A.), INC.

DRW: *K. Kavanagh* / *SK*  
CHK: *K. Kavanagh* / *SK*

SCALE REF: 1:1  
PLT FILED: 06/29/09  
SCALE REF: 1:1  
METRIC

This drawing and the information contained herein are CONFIDENTIAL and PROPRIETARY to Sanden International (U.S.A.), Inc. and shall not be used, copied, or disclosed to others without the written permission of Sanden International (U.S.A.), Inc.

INTERPRETATION OF THIS DRAWING PER  
ASME Y14.5M-1994  
THIRD ANGLE PROJECTION  
↻

MATERIAL: -

NAME: COMPRESSOR

DWG. NO.: 4301-6000  
REV: A

DO NOT SCALE