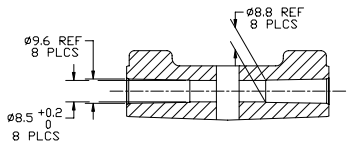
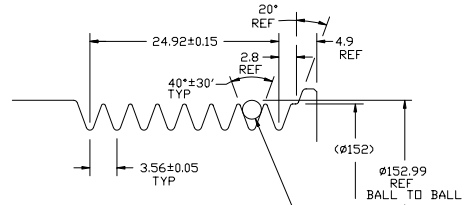


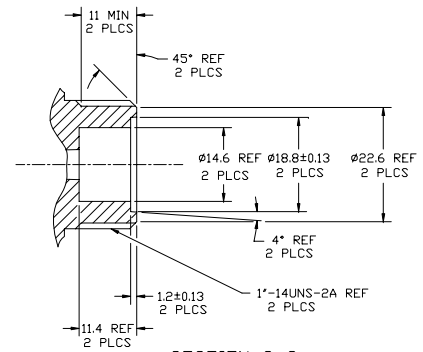
PCDN	REV.	APPLY DATE	REVISIONS	DWN	ESGN	CHK	APPV
			INITIAL RELEASE				



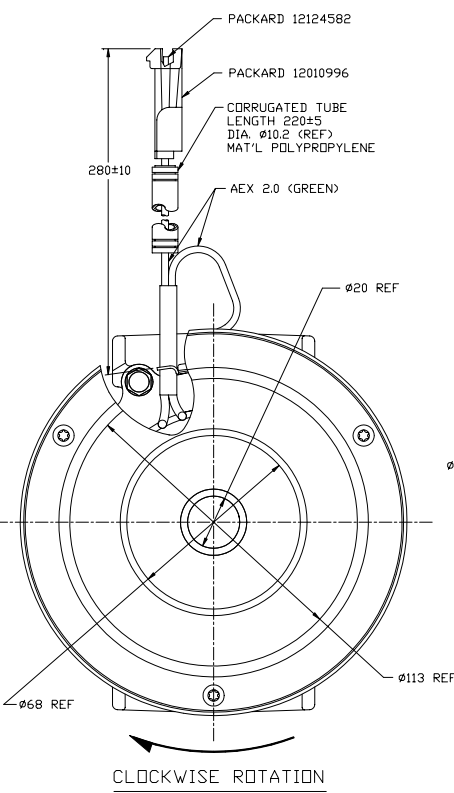
SECTION A-A



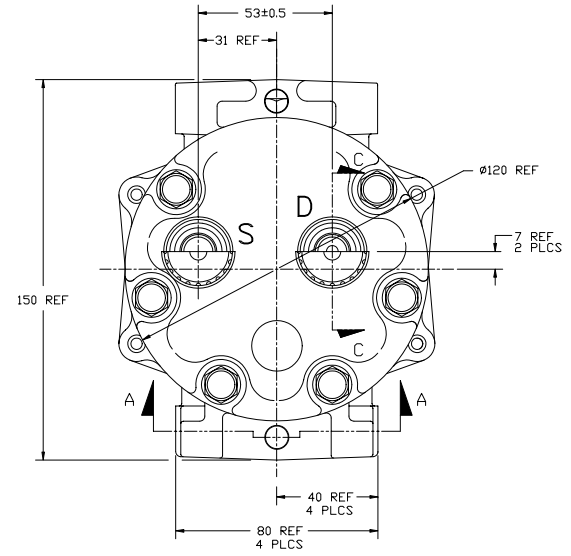
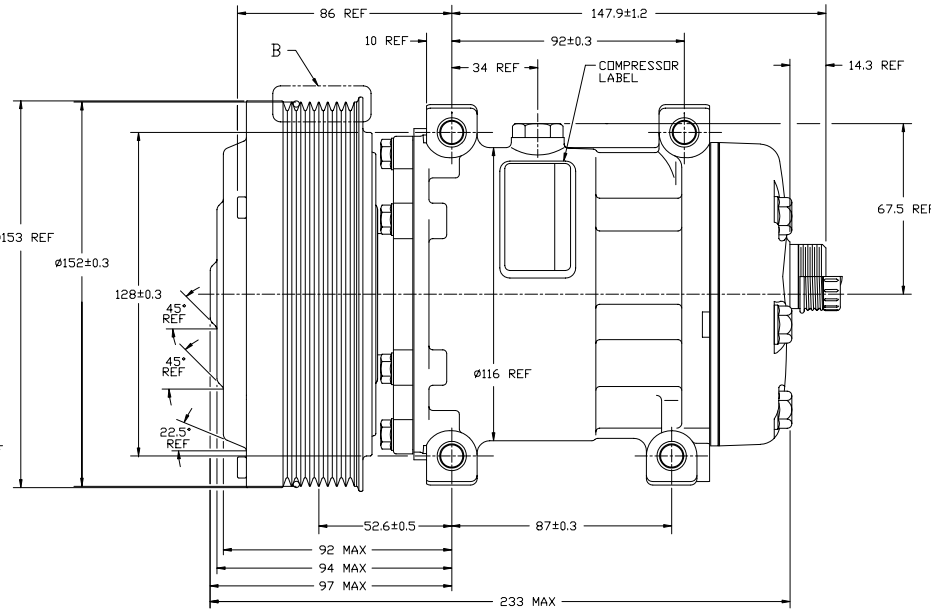
DETAIL B
SCALE: 3:1



SECTION C-C
SCALE: 2:1
TYPICAL BOTH PORTS
(SECTION SHOWN WITH SEAL CAP REMOVED)



CLOCKWISE ROTATION



COMPRESSOR SPECIFICATIONS

DISPLACEMENT PER REVOLUTION	154.9 cc/rev. (9.5 cuin./rev.)
MAXIMUM ALLOWABLE R.P.M.	4000 R.P.M.
MAXIMUM ALLOWABLE CONTINUOUS R.P.M.	4000 R.P.M.
REFRIGERANT	R134a
OIL (SP-15)	285 cc (9.6 fl. oz.)

CLUTCH SPECIFICATIONS

RATED VOLTAGE	DC 24V
BREAKAWAY TORQUE	3.5 kgf-m min. @ 24V
MINIMUM ENGAGEMENT VOLTAGE	16V MAX @ AIR GAP 0.4~0.8 mm
POWER CONSUMPTION	45 watts max.
BELT TYPE	PV8 TYPE
MAXIMUM ALLOWABLE BELT TENSION	120 kgf
PULLEY DIAMETER	Ø152 mm (5.98 in.)
CLUTCH TYPE	SEALED HEAVY DUTY

REV. LEVEL	RELEASED FOR PRODUCTION	<p>SANDEN INTERNATIONAL (U.S.A.), INC.</p> <p>SCALE REF 1:1 PLATTER SCALE REF 1:1 METRIC</p> <p>This drawing and the information contained herein are CONFIDENTIAL and PROPRIETARY to Sanden International (U.S.A.), Inc. any reuse in CONFIDENCE and shall not be used, copied, or disclosed to others without the written permission of Sanden International (U.S.A.), Inc.</p> <p>INTERPRETATION OF THIS DRAWING PER ASME Y14.5M-1994</p> <p>THIRD ANGLE PROJECTION</p> <p>MATERIAL:</p> <p>NAME: COMPRESSOR</p> <p>DWG. NO. 4300-6000</p>
CHK	DRG. LEE 4/8/04	
APPV.	NE JC 4/12/04	
DATE	4/12/04	
REV. LEVEL	RELEASED FOR DESIGN VALIDATION	<p>SIZE: D</p>
CHK	DRG. HARRINGTON	
APPV.	NE JC 4/13/04	
DATE	4/13/04	
REV. LEVEL	RELEASED FOR PRODUCTION VALS	<p>REV A</p>
CHK	DRG. HARRINGTON	
APPV.	NE JC 4/13/04	
DATE	4/13/04	

DO NOT SCALE