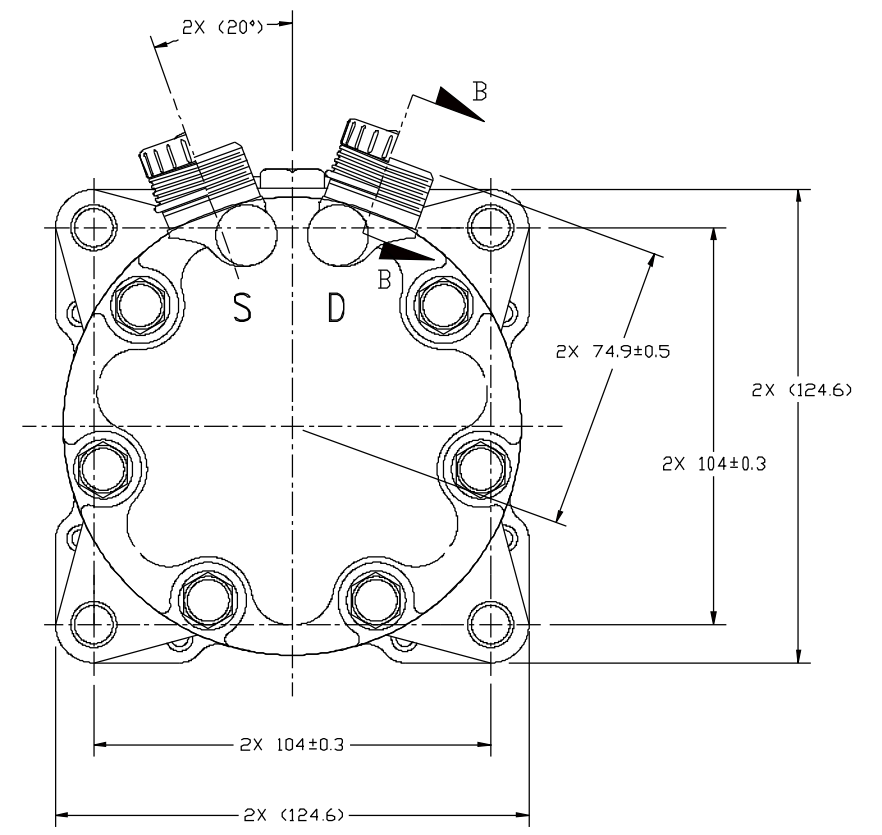
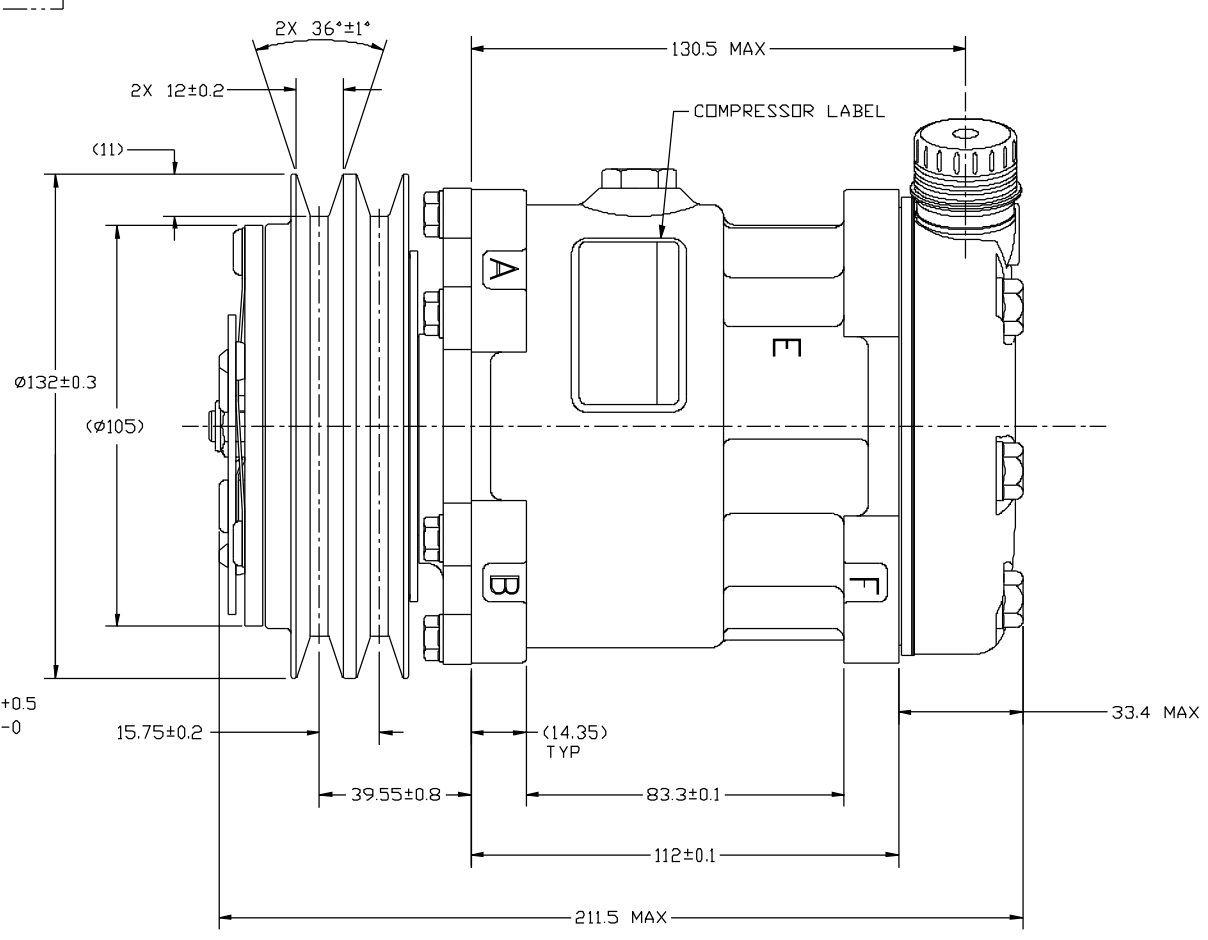
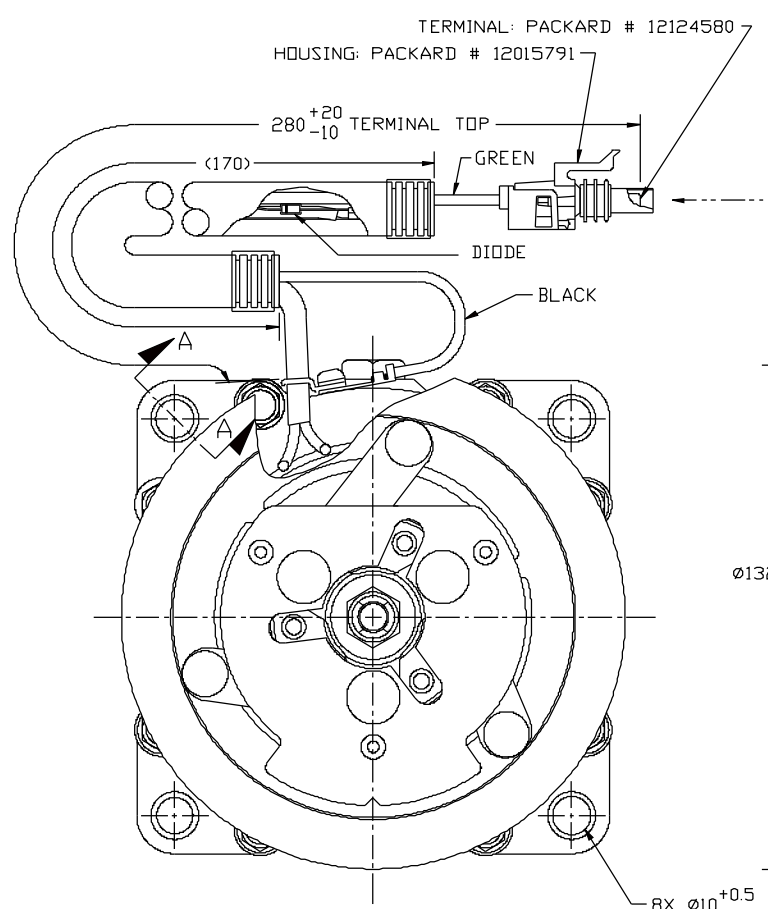
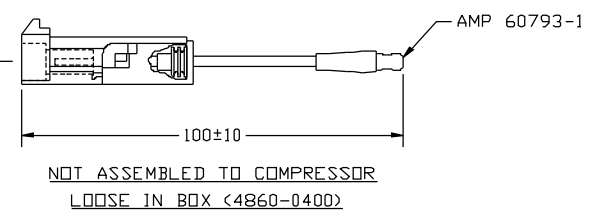
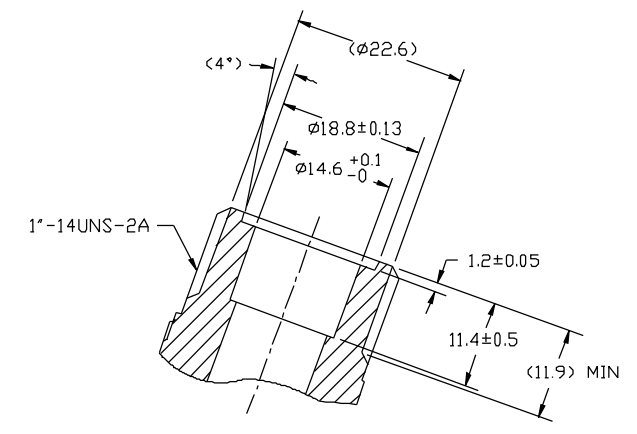
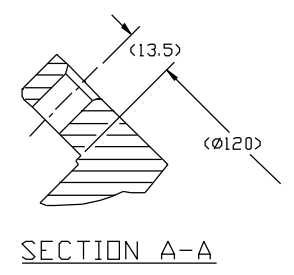
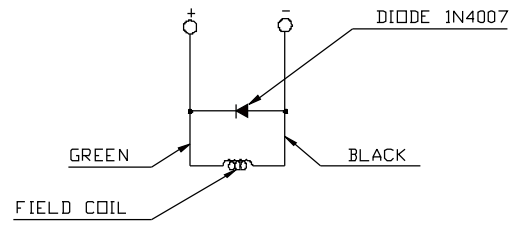


REV.	DATE	BY	CHK	APPV.	REVISIONS	OWN	DSGN	CHK	APPV.
					INITIAL ISSUE				



COMPRESSOR SPECIFICATIONS (REF)

DISPLACEMENT PER REVOLUTION	154.9 cc
MAXIMUM ALLOWABLE RPM	7000 RPM
MAXIMUM ALLOWABLE CONTINUOUS RPM	6000 RPM
REFRIGERANT	R134a
OIL (SP-15)	200 cc
COMPRESSOR WEIGHT	7.6 kg

CLUTCH SPECIFICATIONS (REF)

RATED VOLTAGE	DC 24V
BREAKAWAY TORQUE	34 N-m MIN @ 24V
MINIMUM ENGAGEMENT VOLTAGE	16V @ 0.6 mm AIR GAP
POWER CONSUMPTION	34 W MAX
BELT TYPE	A2
MAXIMUM ALLOWABLE BELT TENSION	60 kgf/BELT
PULLEY DIAMETER	$\phi 132$ mm
CLUTCH TYPE	HEAVY DUTY

DO NOT SCALE

REV. LEVEL	RELEASED FOR: ENGINE DEVELOPMENT	 SANDEN INTERNATIONAL (U.S.A.), INC.
	DSGN: A. ARMENDARIZ	
A	APPV. S. NAGARAJ	DRAWN SCALE REF 1:1
	CHK: R. MARTINEZ	PLOTTED SCALE REF 1:1 METRIC
	DATE: 06/04/09	This drawing and the information contained herein are CONFIDENTIAL and PROPRIETARY to Sanden International (U.S.A.), Inc. and shall not be used, copied, or disclosed to others without the written permission of Sanden International (U.S.A.), Inc.
REV. LEVEL	RELEASED FOR: DESIGN VALIDATION	INTERPRETATION OF THIS DRAWING PER ASME Y14.5M-1994
A	DSGN: A. ARMENDARIZ	THIRD ANGLE PROJECTION
	APPV. R. MARTINEZ	SIZE D
	DATE: 06/04/09	MATERIAL:
REV. LEVEL	RELEASED FOR: PRODUCTION VAL'D	NAME
A	DSGN: A. ARMENDARIZ	COMPRESSOR
	APPV. R. MARTINEZ	DWG. NO. 4292-6000
	DATE: 06/04/09	REV. A