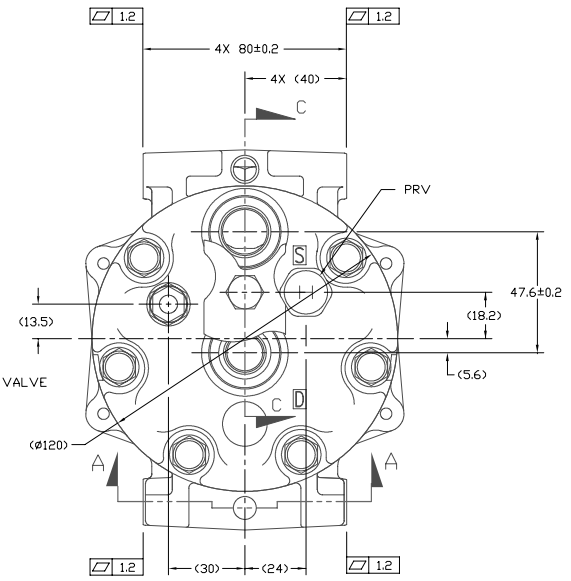
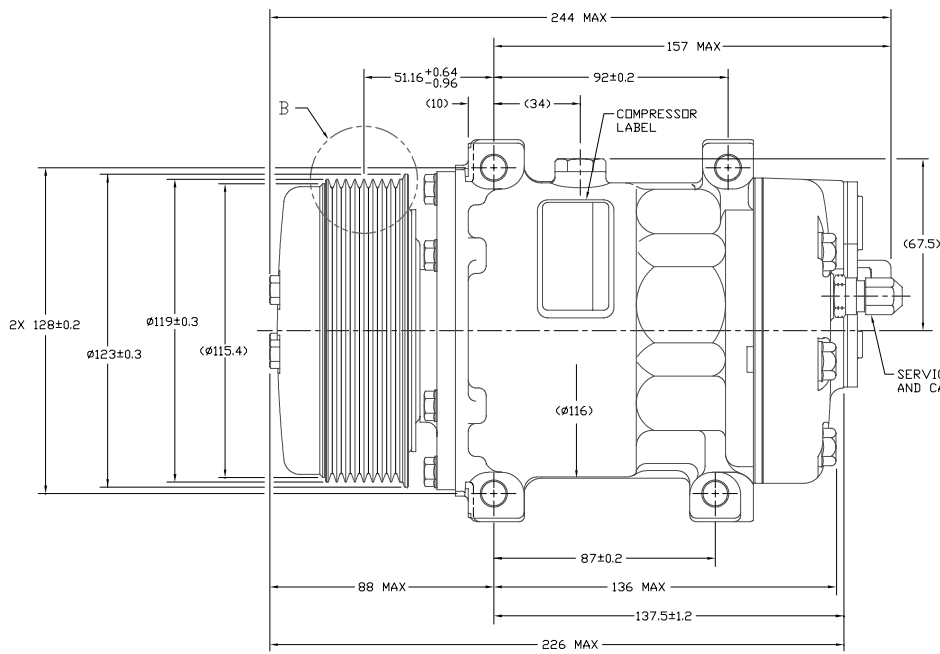
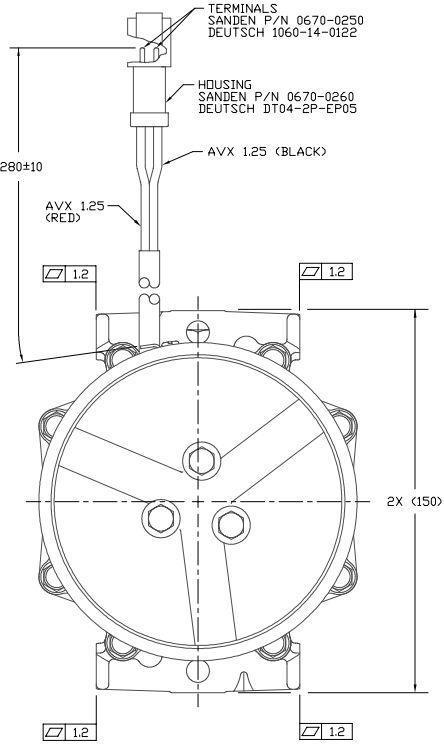
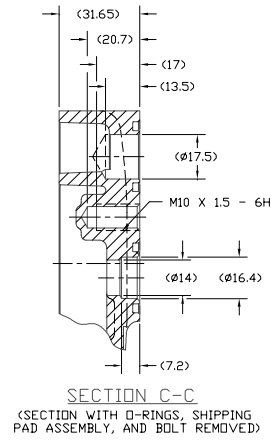
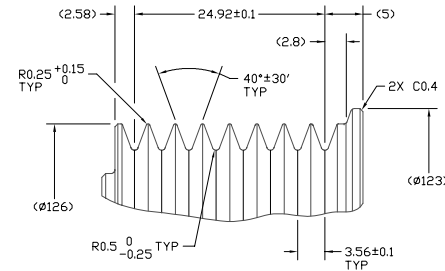
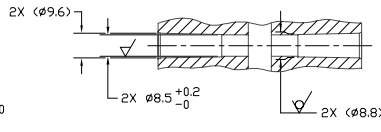


PERSON	REV.	APPRV.	DATE	REVISIONS	DWN	ISSN	CHK	APPV
				INITIAL ISSUE				



COMPRESSOR SPECIFICATIONS (REF)

DISPLACEMENT PER REVOLUTION	154.9 cc / rev. (9.5cu.in. / rev.)
MAXIMUM ALLOWABLE R.P.M.	5000 R.P.M.
MAXIMUM ALLOWABLE CONTINUOUS R.P.M.	5000 R.P.M.
REFRIGERANT	R134a
OIL (SP-15)	300 cc (10.1 fl.oz.)

CLUTCH SPECIFICATIONS (REF)

RATED VOLTAGE	DC 12V
BREAKAWAY TORQUE	3.5 kgf-m min. @ 12V
MINIMUM ENGAGEMENT VOLTAGE	7.5V @ AIR GAP 0.6mm
POWER CONSUMPTION	49 watts max.
BELT TYPE	PV8 TYPE
MAXIMUM ALLOWABLE BELT TENSION	120 kgf
PULLEY DIAMETER	Ø119mm (4.68 in.)
CLUTCH TYPE	HEAVY DUTY

DO NOT SCALE

REV. LEVEL	RELEASED FOR PRODUCTION	DATE	BY	APPROVED	DATE	BY
A	Released for Production	1/4/07	J Sokolowski	Released for Production	1/4/07	M Lee
REV. LEVEL	DESIGN VALIDATION	DATE	BY	APPROVED	DATE	BY
A	Design Validation	1/4/07	M Lee	Design Validation	1/4/07	M Lee
REV. LEVEL	PRODUCTION VAL'D	DATE	BY	APPROVED	DATE	BY
A	Production Val'd	1/4/07	M Lee	Production Val'd	1/4/07	M Lee
REV. LEVEL	PRODUCTION	DATE	BY	APPROVED	DATE	BY
A	Production	1/4/07	M Lee	Production	1/4/07	M Lee

SANDEN
SANDEN INTERNATIONAL, U.S.A., INC.

SCALE REF: 1:1
PLOTTED SCALE REF: NONE
METRIC

This drawing and the information contained herein are CONFIDENTIAL and PROPRIETARY to Sanden International (U.S.A.), Inc. and shall be used, copied, or disclosed to others without the written permission of Sanden International (U.S.A.), Inc.

INTERPRETATION OF THIS DRAWING PER ASME Y14.5M-1994

THIRD ANGLE PROJECTION

MATERIAL: ϕ \leftarrow \leftarrow \leftarrow

NAME: COMPRESSOR

SIZE: D

ENG. NO.: 4024-6000

REV. A